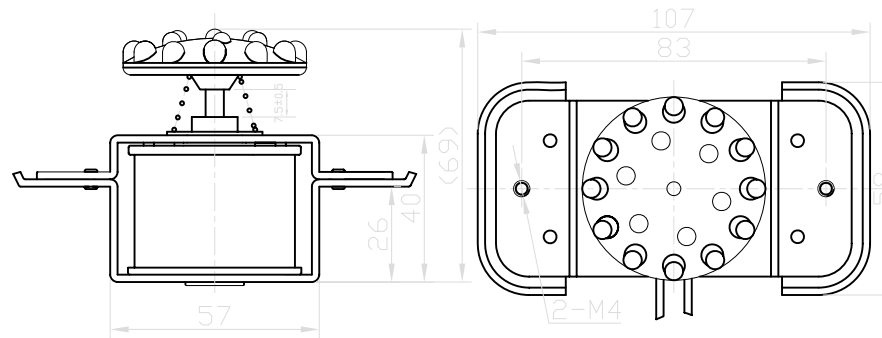


ZHM-1640S Massager Solenoids



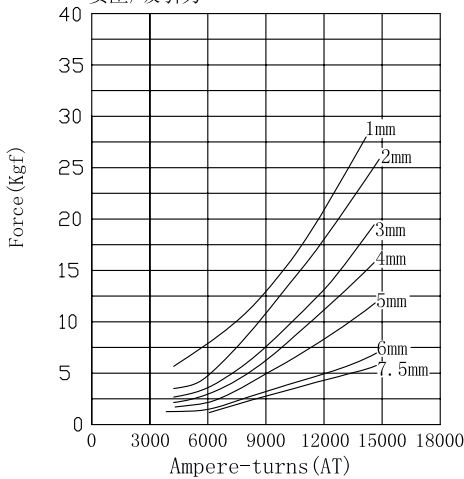
总重量 Total Weight: 520g
应用范围: 用于按摩椅、按摩垫等
APPLICATION: Massage Chair, Massage Pillow

类型: 推式 TYPE: PUSH



单位:mm Units:mm

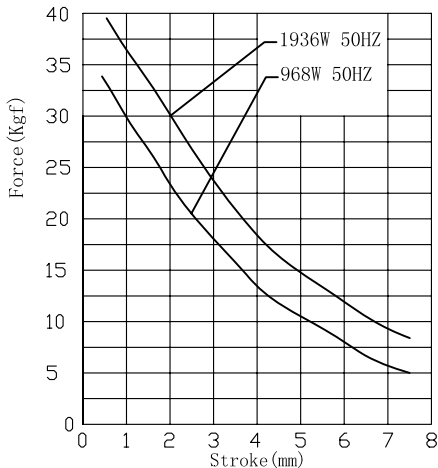
AMPERE-TURNS Vs FORCE
安匝/吸引力



综合特性 GENERAL FEATURES

- 力量: 保持力不低于6Kg
FORCE: THE HOLDING FORCE IS NOT WEAKER THAN 6Kg
- 行程: 0 ~ 7.5mm
STROKE: 0 ~ 7.5mm
- 温升: 最大100℃
TEMPERATURE RISE: MEST 100 deg
- 寿命: 典型值为100万次(连续)
LIFE: REPETITIVE OPERATION FOR 1MILLION CYCLE (CONTINUOUS)
- 噪音: 空载条件下, 噪音小于60dB
NOISE: EMPYT LOAD, THE NOISE IS LOWER THAN 60 dB
- 频率: 50/60Hz
FREQUENCY: 50/60Hz

STROKE Vs FORCE
行程/吸引力



COIL DATA线圈资料

| Duty cycle (%) = $\frac{\text{"ON" time}}{\text{"ON" time} + \text{"OFF" time}} \times 100\%$ | | | 连续 Continuous | 间断 Intermittent | | |
|---|-------------------|-----------|------------------|--------------------|-----|-----|
| 工作周期 (%) = $\frac{\text{工作时间}}{\text{工作时间} + \text{断开时间}} \times 100\%$ | | | 100% | 50% | 25% | 10% |
| MAX. "on" time in seconds 最大工作时间(秒) | | | | | | |
| 温控器控制温度(°C) | | | 120° C | | | |
| 频率(Hz) | | | 50 | | | |
| Type no. | Resistance (20°C) | No. Turns | VoltS DC 电压 | | | |
| 型号 | 阻值(20°C) ±10% | 线圈匝数 | | | | |
| ZHM-1640S | 12.5 | 1050 | 110 | | | |
| | 25 | 1640 | 220 | | | |
| | 50 | 2100 | 220 | | | |