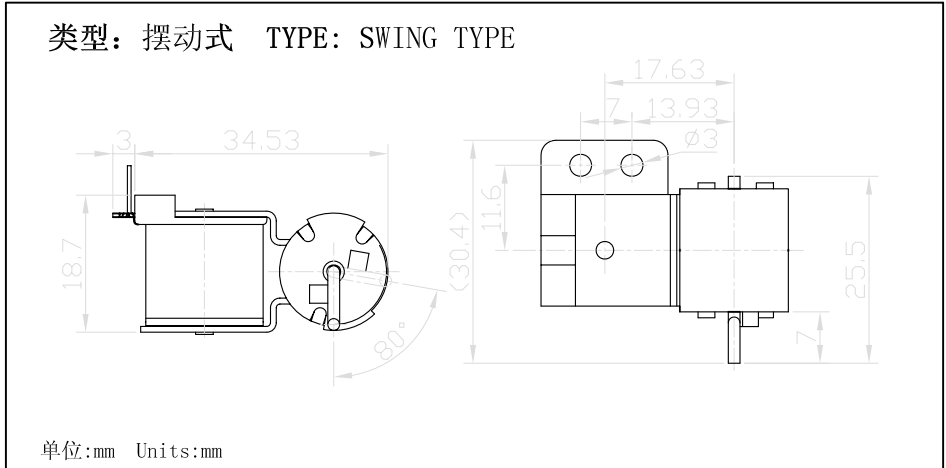


## ZHS-4 Swing Solenoids



总重量 Total Weight: 35g  
应用范围: 投币电话机等  
APPLICATION: COIN TELEPHON etc



### 综合特性 GENERAL FEATURES

- |                                 |   |
|---------------------------------|---|
| 1. 最低工作电压<br>LEAST WORK VOLTAGE | DC3V<br>DC3V  |
| 2. 耐电压<br>(DIELECTRIC STRENGTH) | 线圈和框架间AC1000V (50/60Hz) 1Min或<br>AC1200V (50/60Hz) 1Sec (击穿电流5mA)<br>BETWEEN COIL AND FRAME AC1000V (50/60Hz) 1Min OR<br>AC1200V (50/60Hz) 1Sec (5mA) |
| 3. 温升<br>(TEMPERATURE RISE)     | 在电压DC-6V下, 温升为80°CMax<br>AFTER DC-6V APPLIED BY RESISTANCE METHOD 80 deg MAX  |
| 4. 寿命<br>(LIFE)                 | 典型值为10万次 (通电1秒, 断电2秒)<br>REPETITIVE OPERATION FOR 0.1 MILLION CYCLE (ON: 1Sec<br>OFF: 2Sec) at DC12V  |
| 5. 扭距<br>KEEP FORCE             | 16g<br>16g  |

### COIL DATA线圈资料

Duty cycle(%) = $\frac{\text{"ON" time}}{\text{"ON" time} + \text{"OFF" time}} \times 100\%$ 工作周期(%) = $\frac{\text{工作时间}}{\text{工作时间} + \text{断开时间}} \times 100\%$		Continuous (100%) 连续 (100%)	Or less (50%) 间断 (50%)	Or less (25%) 间断 (25%)	Or less (10%) 间断 (10%)	
MAX. "on" time in seconds 最大工作时间(秒)		∞	55	19	3	
Watts at 20°C 瓦特数 (在20°C)		2.4	4.8	9.6	24	
Ampere-turns at 20°C 安匝值 (在20°C)		448	640	896	1410	
Type no.	Resistance(20°C) Ω ±10%	No. Turns	Volts DC 电压			
型号	阻值 (Ω) ±10%	线圈匝数				
ZHS-4	15	1120	6	8.5	12	19
	60	20400	12	17	24	38
	240	30000	24	34	48	76
	960	30000	48	68	96	152