

SYB320240B8

V2.0/3.1

ShenZhen TCC LCD Hi-Tech CO.,Ltd

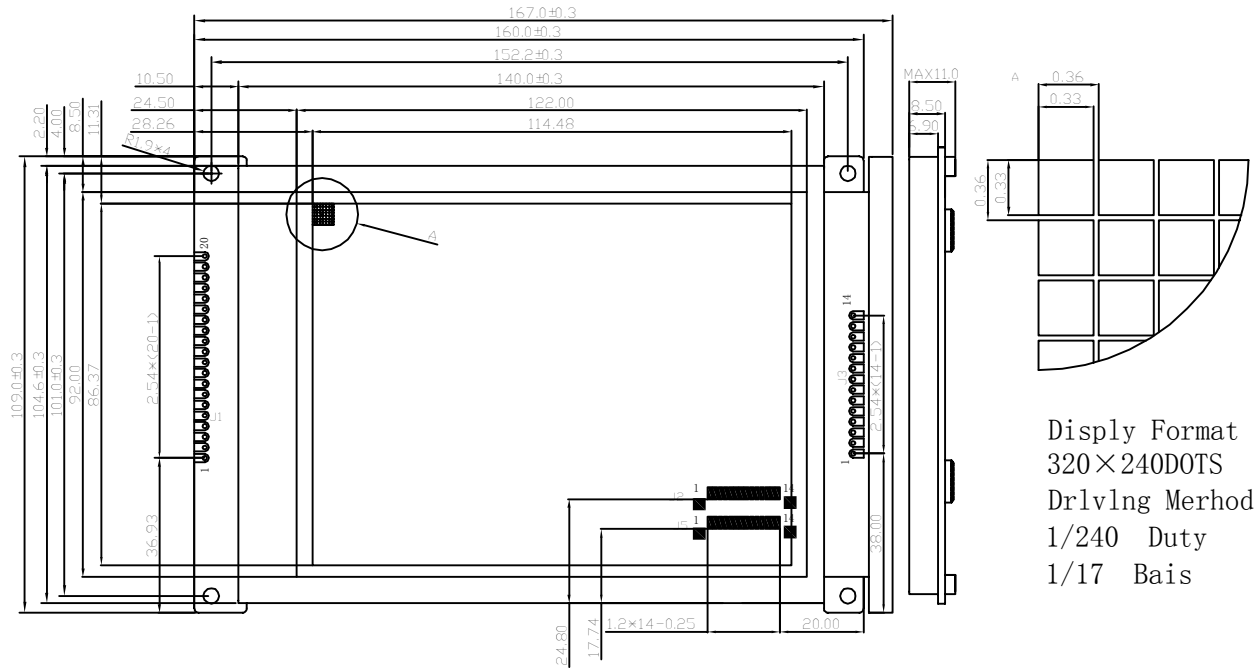
TEL:13430801109 075529644106 FAX:296944104
http://www.lcdicm.net

Email:tccsz@163.com

地址: 深圳市宝安区39区4号厂房2楼



① PHYSICAL DIMENSION/外型尺寸

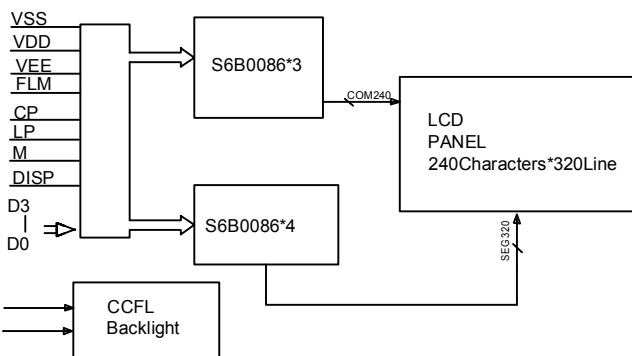


② FEATURES/特征

Feature(特征)	UNIT(单位)
LCD type & Colour(类型及颜色)	STN Blue ;FSTN
View Angle(视角)	6 0°clock
Operating temperature(工作温度)	-20℃ ---- 70℃
Storage Temperature(贮存温度)	-30℃ ---- 80℃
Control IC & Package(控制芯片及封装)	-----
Weight(重量)	198 (With B/L)
Backlight(背光类型)	CCFL/LED

Ta=25℃	MIN(最小)	TYP(典型)	MAX(最大)	UNIT(单位)	
Supply current don't contain backlight(无背光时电流)	0	69		mA	
VDD(电源)	-0.3	5.0		V	
VLCD-V0(LCD驱动电压)	0	-21.0		V	
Backlight LED (背光电压,电流)	侧背光	0	5.0	5	V
	CCFL	0	150		mA

④ BLOCK DIAGRAM/原理电路



③ PIN CONFIGURATION/管脚说明

PIN	SYMBOL	DESCRIPTION/定义描述 (J5/50174)
1	FLM	Frame signal(每一帧开始)
2	LP	Data Latch Pulse(数据锁存信号)
3	CP	Data shift Pulse(数据移位信号)
4	M	Alternate signal for LCD(LCD驱动交变信号)
5	V0	Operating voltage for LCD Driver(对比度调节)
6	VCC	Power positive(逻辑电压)
7	VSS	Power ground(地)
8	VEE	Negative voltage output(负压输出)
9—12	D0 — D3	Data bus [0~3]. There state I/O common terminal. (数据线0-3)
13	DISP	Display ON/OFF(显示开关)
14	NC/LEDA	No connection(空脚)

PIN	SYMBOL	DESCRIPTION/定义描述 (J2/J3/50840)
1—4	D0 — D3	Data bus [0~3]. There state I/O common terminal. (数据线0-3)
5	DISP	Display ON/OFF(显示开关)
6	FLM	Frame signal(每一帧开始)
7	NC	No connection(空脚)
8	LP	Data Latch Pulse(数据锁存信号)
9	CP	Data shift Pulse(数据移位信号)
10	VCC	Power positive(逻辑电压)
11	VSS	Power ground(地)
12	VEE	Negative voltage output(负压输出)
13	V0	Operating voltage for LCD Driver(对比度调节)
14	NC/LEDA	No connection(空脚)