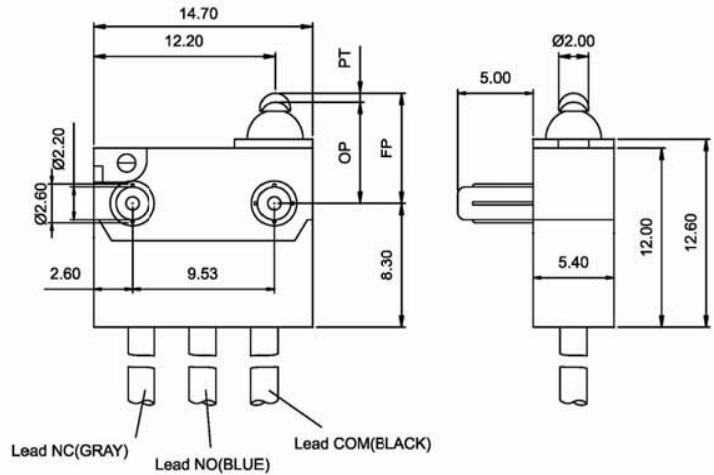


DW SERIES (IP67)

DIMENSIONS (Unless otherwise specified, a tolerance of ± 0.4 mm applies to all dimensions.)



ORDERING CHARACTERISTICS

DW	N3	S	01	A	0	E	A	001	Z							
SERIES PREFIX	CODE	RATING CURRENT	CODE	OPERATING FORCE	CODE	ACTUATOR TYPE	CODE	PILLAR & TRAVEL TYPE	CODE	CIRCUIT ARRANGEMENT	CODE	AWG TYPE	CODE	UL NUMBER	SERIAL CODE	ROHS CODE
	N2	10mA 12VDC Contact Plated Gold and Terminal Plated Silver	S	STANDARD	00		A		0	S.P.D.T	E	20	A	UL1007		
	N3	3A 12VDC 3A 125VAC Terminal Plated Silver and Contact is Silver			01		B		1	S.P.S.T.NO	F	22	C	UL1430		
					04		C		2	S.P.S.T. NC	G	24	D	UL1061		
							D				H	26	E	UL1330		
							E									
							F									

CERTIFICATE INFORMATION

ENEC14 10mA 12 VDC, μ 5E5,
3A12 VDC, μ 1E5