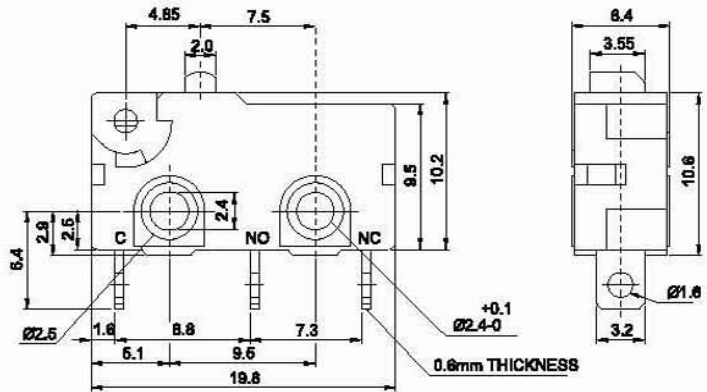


SMV SERIES

DIMENSIONS (Unless otherwise specified, a tolerance of ± 0.4 mm applies to all dimensions.)



SPECIFICATIONS

- Contact Resistance (initial).....Max. 300m Ω
- Insulation Resistance (at 500VDC/minute).....Min. 100M Ω
- Dielectric Strength..... 1000VAC (50~60Hz)
- Storage Temperature Range..... -25°C to 85°C
- Storage Humidityat 40°C, Max. 85% R.H
- Vibration.....10~55Hz, displacement 0.75mm (p-p)
- Electrical Service Life.....0.1A - Min. 1,000,000 operations
Other ratings - Min.10,000 operations
- Electrical Operating Frequency...0.1A - 120 operations per minute
Other ratings - 10~30 operations per minute
- Mechanical Service Life.....Min. 10,000,000 operations
- Mechanical Operating Frequency..... 120 operations per minute

CONTACT CONFIGURATION



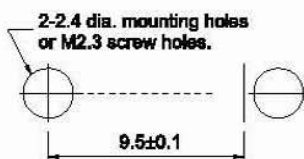
APPLICATION

Telephone, Air conditioner, Computer, Humidifier, Alarm, Time recorder, Mixer & Chopper, Solder gun, Neon Phone, Fax machine, Joystick, Water pump, Gas detector, Pencil sharpener, Money sorter, Food processor, Electric knife, Toy car, Juicer, Electric steak pan.

RATING

- 0.1A 125/250VAC, 5A 125/250 VAC
- 6A 125/250 VAC, 6(2)A 125/250VAC, 10.1A 125/250VAC

MOUNTING HOLES



MOUNTING HOLES FOR PCB TERMINAL

