

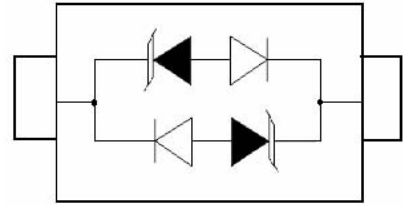
TVS Product Specification

BVxxC Ultra Low Capacitance TVS



1、FEATURES

- IEC 61000-4-2(ESD) $\pm 15KV$ (air), $\pm 8KV$ (contact)
- 150 Watts peak pulse power($t_p=8/20\mu S$)
- Ultra low capacitance: **1.5pF** maximum
- Low clamping voltage
- Small package: SOD-323



2、PART NUMBER AND ELECTRICAL PARAMETER @ T=25°C RH = 45%-75%

Part Number	Marking	VDRM	IDRM	VBR	IR	Vc	Ipp	Vc	Ipp	CO
		V	μA	V	mA	V	A	V	A	pF
			MAX	MIN		MAX		MAX		MAX
BV03C	CC	3	20	4	1	5.15	1	13.9	12	1.5
BV05C	AC	5	5	6	1	9.80	1	18.3	8	1.5
BV08C	BC	8	2	8.5	1	13.4	1	18.5	8	1.5
BV12C	DC	12	1	13.3	1	19.0	1	28.6	6	1.5
BV15C	EC	15	1	16.7	1	24.0	1	31.8	5	1.5
BV24C	HC	24	1	26.7	1	43.0	1	56.0	3	1.5

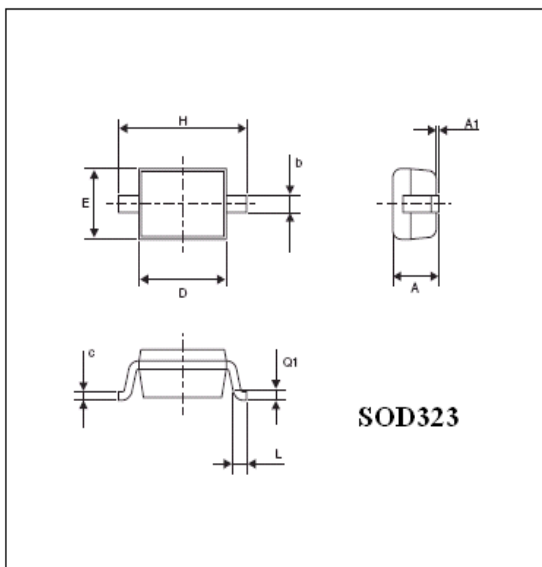
- ①、Off-state capacitance is measured in $V_{DC}=0V, V_{RMS}=1V, F=1MHz$
- ②、All measurements are made at an ambient temperature of 25°C
- ③、Surge Waveform: 8/20 μS

3、PART NUMBERING SYSTEM

BV xx C
 (1) (2) (3)

- (1) Bencent Transient Voltage Suppressor
- (2) Series: 03, 05, 08, 12, 15, 24 etc.
- (3) Ultra Low Capacitance Series

4、DIMENSIONS AND MARKING



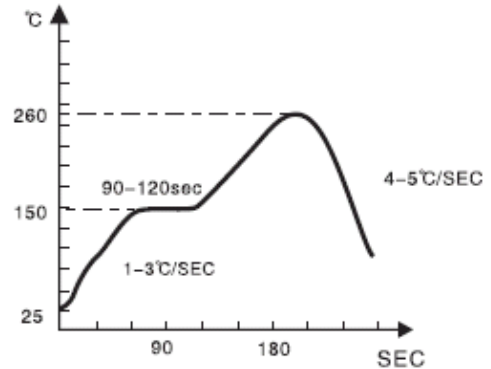
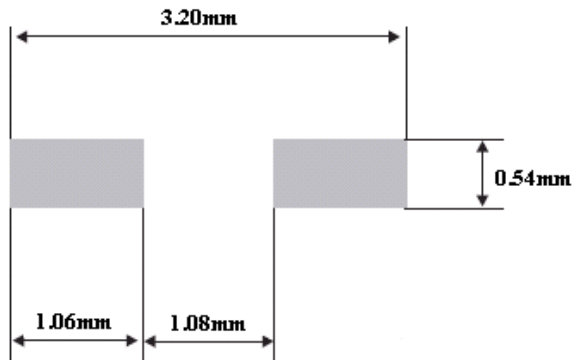
Ref.	Dimensions			
	Millimeters		Inches	
	Min.	Max.	Min.	Max.
A		1.17		0.046
A1	0	0.1	0	0.004
b	0.25	0.44	0.01	0.017
c	0.1	0.25	0.004	0.01
D	1.52	1.8	0.06	0.071
E	1.11	1.45	0.044	0.057
H	2.3	2.7	0.09	0.106
L	0.1	0.46	0.004	0.02
Q1	0.1	0.41	0.004	0.016

TVS Product Specification

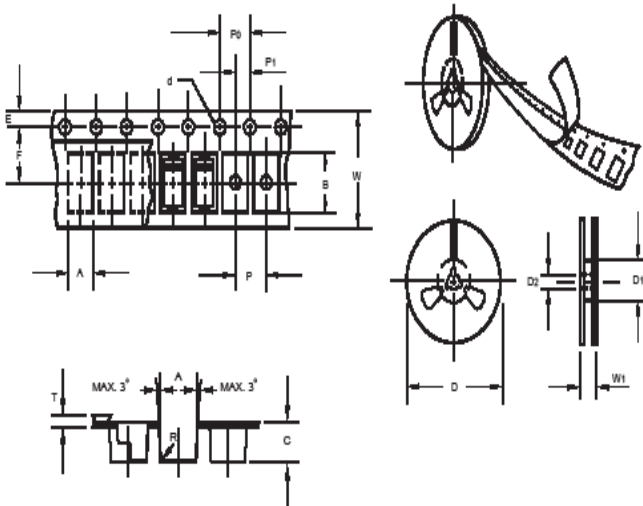
BVxxC Ultra Low Capacitance TVS



5、RECOMMENDED SOLDERING PAD AND REFLOW PROFILE



6、PACKAGE REEL INFORMATION



REF.	mm	inch
A	1.46±0.10	0.057±0.004
B	2.9±0.10	0.114±0.004
C	1.25±0.10	0.049±0.004
d	1.50±0.12	0.059±0.005
D	178±1.00	7.01±0.039
D1	55Min.	2.165Min.
D2	13.0±0.50	0.511±0.020
E	1.75±0.10	0.069±0.004
F	3.50±0.05	0.138±0.002
P	4.00±0.10	0.158±0.004
P0	4.00±0.10	0.158±0.004
P1	2.00±0.05	0.079±0.002
T	0.25±0.02	0.01±0.001
W	8.00±0.30	0.315±0.012
W1	14.4±0.50	0.567±0.020

OUTLINE	REEL (PCS)	PER CARTON (PCS)	REEL DIAMETERS (mm)	CARTON SIZE(mm)		
				L	W	H
TAPING	3,000	90,000	177	360	370	220

Remark:

Special Notes

- 1、 Bencent Electronics Limited (BENCENT) reserves the right to make changes without further notice to its products herein.
- 2、 BENCENT does not assume any liability arising out of the application or usage of any product or circuit, and specifically disclaims any and all liability, including without limitation special, consequential or incidental damages.
- 3、 Any special usage must be authorized by BENCENT in advance; otherwise BENCENT does not take any liability of it.

Date Issued:2009/09