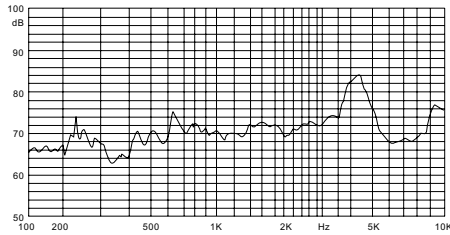


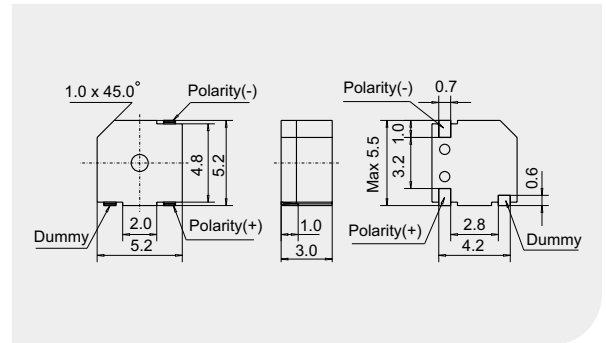


Model No.	BM5030S-0301
Rated Voltage(Vo-p)	3
Operating Voltage (Vo-p)	2 ~ 4
*Rated Current (mA)	≦ 90
*Sound Output at 10cm (dB)	≧ 75
Coil Resistance (Ω)	12 ±3
Resonant Frequency (Hz)	4000
Operating Temperature (°C)	-20 ~ +70
Storage Temperature (°C)	-30 ~ +80

*Value applying rated voltage, rated frequency, 1/2 duty, square wave.

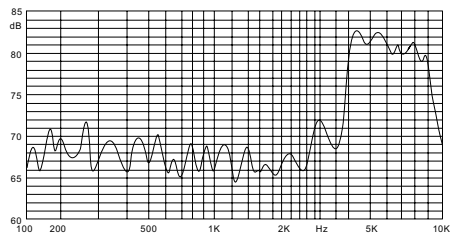


TAT-BM5030S

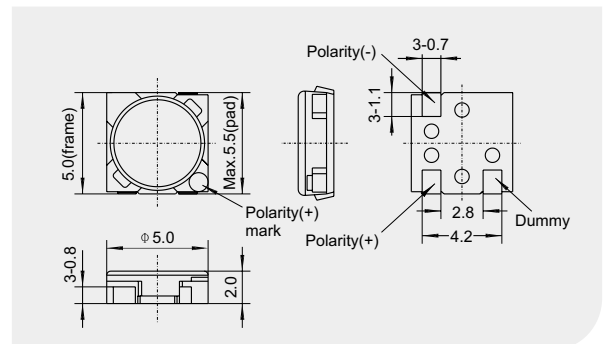


Model No.	BM5020S-0301
Rated Voltage(Vo-p)	3.6
Operating Voltage (Vo-p)	2 ~ 4
*Rated Current (mA)	≦ 100
*Sound Output at 10cm (dB)	≧ 75
Coil Resistance (Ω)	12 ±3
Resonant Frequency (Hz)	4000
Operating Temperature (°C)	-20 ~ +70
Storage Temperature (°C)	-30 ~ +80

*Value applying rated voltage, rated frequency, 1/2 duty, square wave.

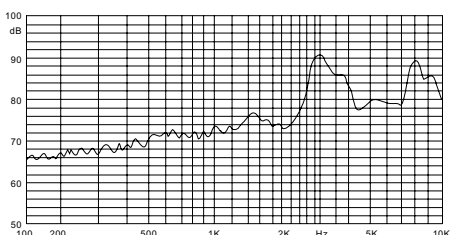


TAT-BM5020S



Model No.	BM7525S-0301
Rated Voltage(Vo-p)	3.6
Operating Voltage (Vo-p)	2.5 ~ 4.5
*Rated Current (mA)	≦ 100
*Sound Output at 10cm (dB)	≧ 82
Coil Resistance (Ω)	15 ±3
Resonant Frequency (Hz)	2700
Operating Temperature (°C)	-20 ~ +70
Storage Temperature (°C)	-30 ~ +80

*Value applying rated voltage, rated frequency, 1/2 duty, square wave.



TAT-BM7525S

