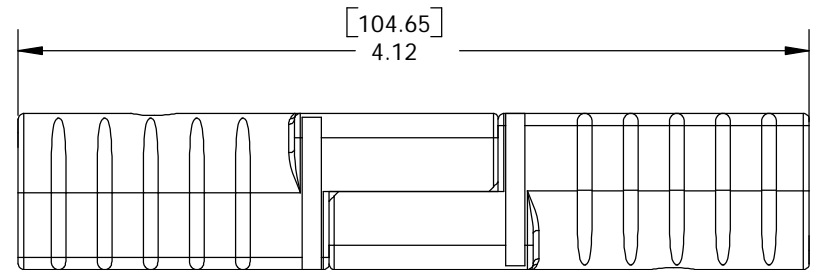
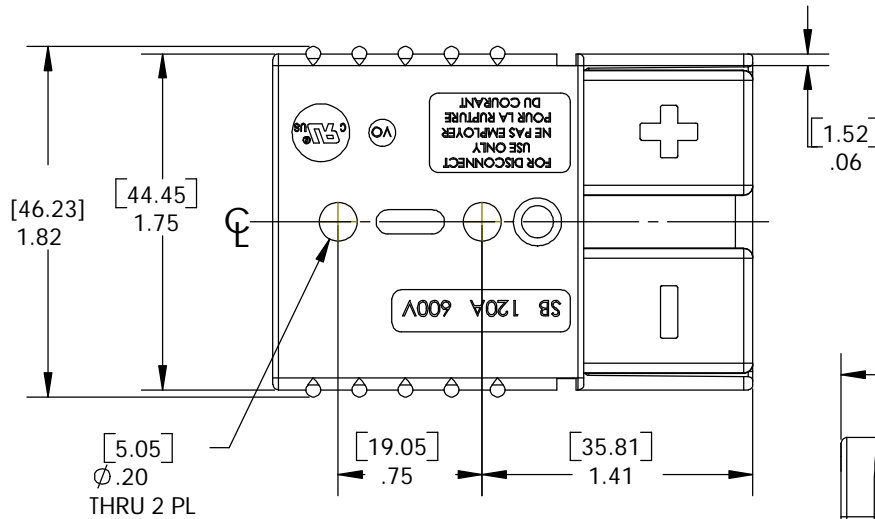
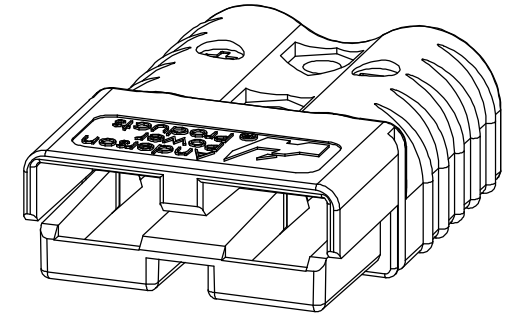
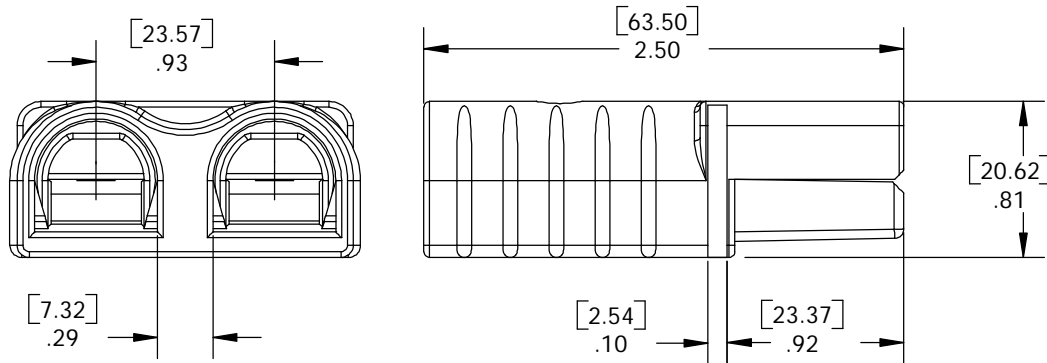


THE INFORMATION CONTAINED IN THIS DRAWING IS THE SOLE PROPERTY OF ANDERSON POWER PRODUCTS. ANY REPRODUCTION IN PART OR WHOLE WITHOUT THE WRITTEN PERMISSION OF ANDERSON POWER PRODUCTS IS PROHIBITED.

ANDERSON POWER PRODUCTS RESERVES THE RIGHT TO ALTER PRODUCT TYPES AND THEIR TECHNICAL DATA, DIMENSIONS, STYLE AND ACCESSORIES WITHOUT PRIOR NOTIFICATION.



MATED PAIR

NOTES:

1. SPRING/HOUSING ASSEMBLIES ARE UL RECOGNIZED PER FIL E26226, CSA CERTIFIED PER LR25154.
2. HOUSINGS ARE KEYED TO ONLY ALLOW MATING WITH THE SAME COLOR HOUSING.
3. FOR ASSEMBLY INSTRUCTIONS SEE DOCUMENT 1S1030A.
4. HOUSING ASSEMBLIES ACCOMODATE ANDERSON CONTACTS FOR WIRE RANGE FROM #6 AWG TO #2 AWG.
5. MATERIAL: HOUSING - POLYCARBONATE, UL94V0
SPRING - STAINLESS STEEL.

1	ECRN 13403	06-12-01	BL
REV	DESCRIPTION	DATE	APP.

DIMENSIONS ARE IN INCHES. DIMENSIONS IN PARENTHESES ARE IN MILLIMETERS.	CAD GENERATED DRAWING. DO NOT MANUALLY UPDATE	
	APPROVALS	DATE
TOLERANCES ARE: 2 PL = ±.02 [±.5]	DRAWN	BAL 10-24-00
	CHECKED	DJD 10-24-00
MATERIAL: SEE NOTES	RESP ENG	BAL 10-24-00
	MFG ENG	CHB 10-24-00
FINISH: _____	OC	RPO 10-24-00
DO NOT SCALE DRAWING		

ANDERSON POWER PRODUCTS			
SB120 HOUSING OUTLINE			
SIZE	DWG. NO.	REV.	
A	114283S1	1	
SCALE	CAD FILE:	SHEET	1 OF 1
-	01310		