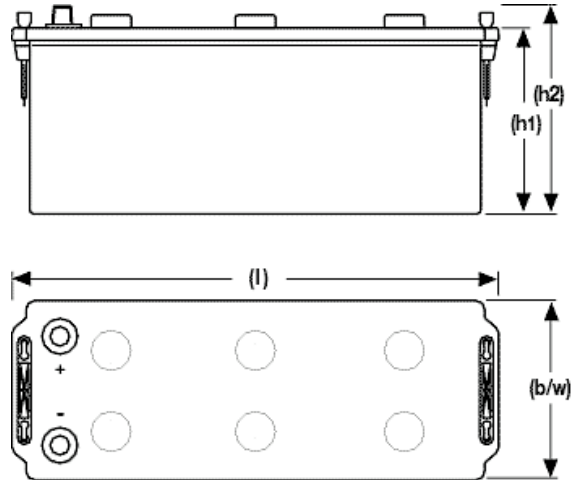
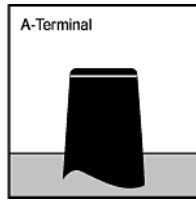


Sonnenschein – A412/100 A data sheet



Terminal: Drawing:



Specifications:

Part numbers not valid for North America, use type for ordering!

Switch to: Discharge at 25 °C/inches/lb

Exide type designation	Nom. Voltage V	Nom. capacity C ₁₀ 1.80 Vpc 20°C Ah	Length (l) max. mm	Width (b/w) max. mm	Height top of cover (h1) max. mm	Height over terminals (h2) max. mm	Weight approx. kg	Internal resistance mOhm	Short circuit current A	Max. Load approx. A	Max. perm current 5 secs. A	Terminal
A412/100 A	12	100	513	189	195	223	36.5	6.9	1777	770	2600	A-Terminal

Constant-current discharge in A @ 20 °C

Part number	Vpc	5 min	10 min	15 min	20 min	30 min	45 min	1 h	2 h	3 h	4 h	5 h	8 h	10 h
NGA4120100HS0CA	1.85	144	124	105	93.0	72.0	56.0	46.0	31.0	23.5	17.9	15.2	10.7	9.60
NGA4120100HS0CA	1.80	176	150	125	104	81.0	62.0	50.0	32.0	24.1	18.7	15.8	11.2	10.0
NGA4120100HS0CA	1.75	194	160	134	112	86.0	65.0	52.0	33.0	24.8	19.2	16.2	11.4	10.0
NGA4120100HS0CA	1.70	213	171	141	117	89.0	67.0	53.0	34.0	25.1	19.3	17.0	11.4	10.0
NGA4120100HS0CA	1.65	232	178	146	120	90.0	68.0	54.0	34.0	25.3	19.5	17.0	11.4	10.0
NGA4120100HS0CA	1.60	253	183	149	121	91.0	69.0	54.0	34.0	25.4	19.5	17.0	11.4	10.0

Constant-power discharge in W/block @ 20 °C

Part number	Vpc	2 min	3 min	5 min	7 min	10 min	15 min	20 min	30 min	45 min	1 h	2 h	3 h
NGA4120100HS0CA	1.85	1873	1792	1625	1482	1329	1144	1047	860	674	567	335	252
NGA4120100HS0CA	1.80	2076	1986	1828	1644	1454	1235	1112	934	719	597	364	274
NGA4120100HS0CA	1.75	2498	2364	2139	1928	1635	1348	1175	972	742	612	383	280
NGA4120100HS0CA	1.70	2792	2604	2346	2090	1749	1413	1215	986	751	619	385	282
NGA4120100HS0CA	1.65	3108	2827	2475	2216	1831	1459	1241	993	755	622	387	283
NGA4120100HS0CA	1.60	3354	2992	2567	2301	1884	1487	1257	998	758	624	388	284