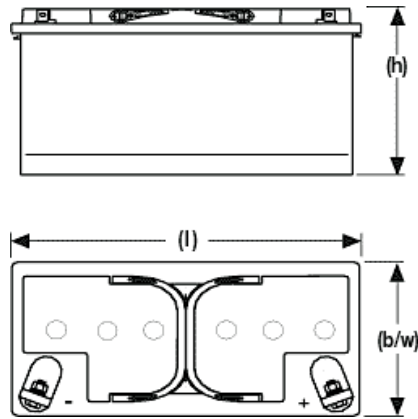
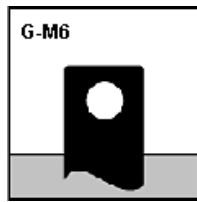


Sonnenschein – A412/65 G6 data sheet



Terminal: Drawing:



Specifications:

Part numbers not valid for North America, use type for ordering!

Switch to: Discharge at 25 °C/inches/lb

Exide type designation	Nom. Voltage V	Nom. capacity C ₁₀ 1.80 Vpc 20°C Ah	Length (l) max. mm	Width (b/w) max. mm	Height top of cover (h1) max. mm	Height over terminals (h2) max. mm	Weight approx. kg	Internal resistance mOhm	Short circuit current A	Max. Load approx. A	Max. perm current 5 secs. A	Terminal
A412/65 G6	12	65.0	353	175	190	190	23.0	9	1414	440	1500	G-M6

Constant-current discharge in A @ 20 °C

Part number	Vpc	5 min	10 min	15 min	20 min	30 min	45 min	1 h	2 h	3 h	4 h	5 h	8 h	10 h
NGA4120065HS0BA	1.85	102	77.0	63.0	56.0	48.0	42.0	36.0	22.0	15.9	12.8	10.8	7.31	6.20
NGA4120065HS0BA	1.80	120	95.0	76.0	64.0	52.0	45.0	39.0	23.0	16.7	13.3	11.2	7.58	6.50
NGA4120065HS0BA	1.75	134	107	84.0	70.0	56.0	48.0	41.0	24.0	17.0	13.6	11.4	7.67	6.50
NGA4120065HS0BA	1.70	148	111	89.0	73.0	57.0	49.0	41.0	24.0	17.2	13.7	11.4	7.70	6.50
NGA4120065HS0BA	1.65	161	114	91.0	75.0	57.0	49.0	42.0	24.0	17.3	13.7	11.5	7.70	6.50
NGA4120065HS0BA	1.60	170	116	92.0	76.0	58.0	49.0	42.0	23.9	17.3	13.7	11.5	7.70	6.50

Constant-power discharge in W/block @ 20 °C

Part number	Vpc	2 min	3 min	5 min	7 min	10 min	15 min	20 min	30 min	45 min	1 h	2 h	3 h
NGA4120065HS0BA	1.85	1440	1341	1221	1137	1025	867	759	635	481	395	239	175
NGA4120065HS0BA	1.80	1701	1601	1429	1295	1158	976	834	690	516	420	260	190
NGA4120065HS0BA	1.75	1968	1830	1620	1447	1267	1054	886	714	533	431	270	193
NGA4120065HS0BA	1.70	2191	2008	1762	1570	1322	1099	916	722	541	436	270	194
NGA4120065HS0BA	1.65	2419	2213	1874	1657	1371	1124	932	726	544	439	271	195
NGA4120065HS0BA	1.60	2603	2401	1961	1712	1399	1137	939	728	546	440	272	196