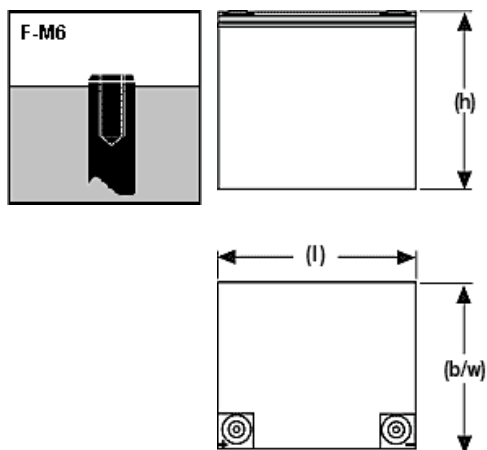


# Sprinter – S12V285 data sheet



## Terminal: Drawing:



## Specifications:

Part numbers not valid for North America, use type for ordering!

Discharge figures are also valid for **UL 94 V0** version. Change "H" to "V" in the part number.

*Example*

Standard	NASR120285	<b>H</b>	P0FA
UL 94 V0	NASR120285	<b>V</b>	P0FA

Exide type designation	Nom. Voltage V	Power 15min 1.67 VpC 20°C W/cell	Power 15min 1.67 VpC 25°C W/cell	Length (l) max. mm	Width (b/w) max. mm	Height (h1) max. mm	Height over terminals (h2) max. mm	Weight approx. kg	Internal resistance mOhm	Short circuit current A	Terminal
S12V285	12	271	285	260	174	224	235	27.8	3.7	3271	F-M6

## Constant-power discharge in W/cell @ 20 °C

Part number	Vpc	5 min	10 min	15 min	20 min	30 min	45 min	1 h	1,25 h	1,5 h
NASR120285HP0FA	1.85	371	277	240	205	145	108	86.6	72.3	61.8
NASR120285HP0FA	1.80	420	307	256	218	154	113	90.4	75.2	64.7
NASR120285HP0FA	1.75	461	325	265	225	158	114	90.4	76.1	65.6
NASR120285HP0FA	1.70	501	337	268	226	159	115	91.3	76.1	65.6
NASR120285HP0FA	1.67	516	347	271	227	160	115	91.3	76.1	65.6
NASR120285HP0FA	1.65	526	353	273	227	160	117	92.3	77.1	66.6
NASR120285HP0FA	1.60	533	355	274	228	160	117	92.3	77.1	66.6
NASR120285HP0FA	1.50	541	357	276	230	162	118	93.2	78.0	67.5