

Miniature Pushbutton Switches

Specifications:

Contact rating:	250 V AC, 1 A / 125 V AC, 3 A 24 V DC, 2 A
Contact resistance:	< 30 mΩ
Insulation resistance:	> 500 MΩ at 500 V DC
Dielectric strength:	1000 V, 50 Hz for the duration of 1 minute
Operating temperature:	- 45° to + 110° C
Mechanical life:	minimum 30 000 operations
Contacts:	coin silver, also available gold-plated, version G (see page 4)
Terminals:	solder tags
Material:	phenolformaldehyde MSP 103 B black, MSP 103 C brown
Mounting:	bushing M 6 x 0,75
Soldering conditions:	hand-soldering – max.: 20 W, 3 sec, 350° C

3

Models:

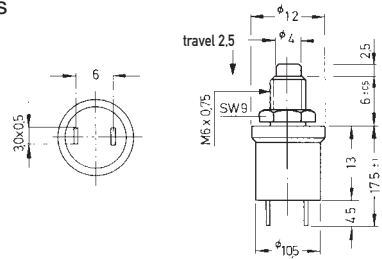
Switching functions

S P D T

MSP 103 B
MSP 103 C

on – (mom)
off – mom

Button colour: orange

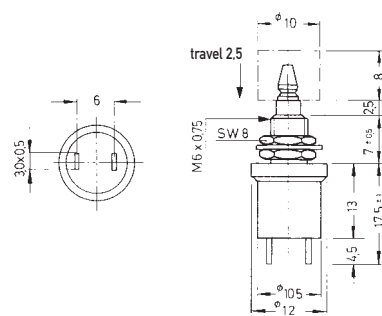


S P D T

MSP 103 BK
MSP 103 CK

on – (mom)
off – mom

Buttons see page 36



Unless otherwise specified, switches are delivered with button KM 405 (black).

Miniature Pushbutton Switches

Specifications:

Contact rating:	250 V AC, 0,3 A / 125 V AC, 0,6 A 30 V DC, 1 A
Contact resistance:	< 50 mΩ
Insulation resistance:	> 1000 MΩ at 500 V DC
Dielectric strength:	1000 V, 50 Hz for the duration of 1 minute
Operating temperature:	- 30° to + 65° C
Mechanical life:	minimum 250 000 operations
Contacts:	silver
Terminals:	solder tags or PC terminals
Material:	case: DAP, button: PA
Mounting:	bushing Ø 6,35 mm – 40 UNS, key 8 mm or on pc-board
Soldering conditions:	hand-soldering – max.: 5 sec, 300° C auto-soldering – max.: 5 sec, 260° C

3

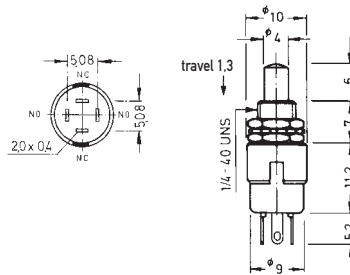
Models:

Switching functions

SPDT

MSP 113 F

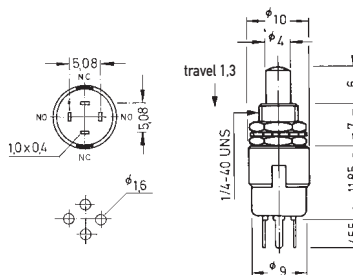
mom - on



SPDT

MSP 113 F - PC

mom - on



Circuit diagram:



Accessories:

Buttons (height 7,5 mm)	Ø	
black	10 mm	KM 485
red	10 mm	KM 489



Miniature Pushbutton Switches

Specifications:

Contact rating:	250 V AC, 0,5 A / 120 V AC, 1 A 28 V DC, 1 A
Contact resistance:	< 40 mΩ
Insulation resistance:	> 100 MΩ at 500 V DC
Dielectric strength:	500 V, 50 Hz for the duration of 1 minute
Temperature range:	- 30° to + 85° C
Mechanical life:	minimum 250 000 operations
Contacts:	phosphor bronze, silver-plated
Terminals:	PC terminals, phosphor bronze silver-plated
Material:	case: copper alloy, nickel-plated / nylon-66 button: POM
Mounting:	single-hole mounting, 1/4" – 40 UNS – 2A THD or on pc-board
Soldering conditions:	auto-soldering – 3 sec ± 0,5 sec, 250° C

3

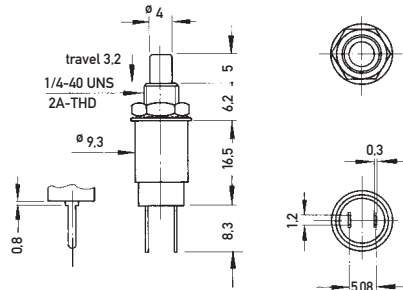
Models:

Switching functions

S P D T

MSP 101 A

on - off



S P D T

MSP 101 A - RA

on - off

