

## Basic Switch

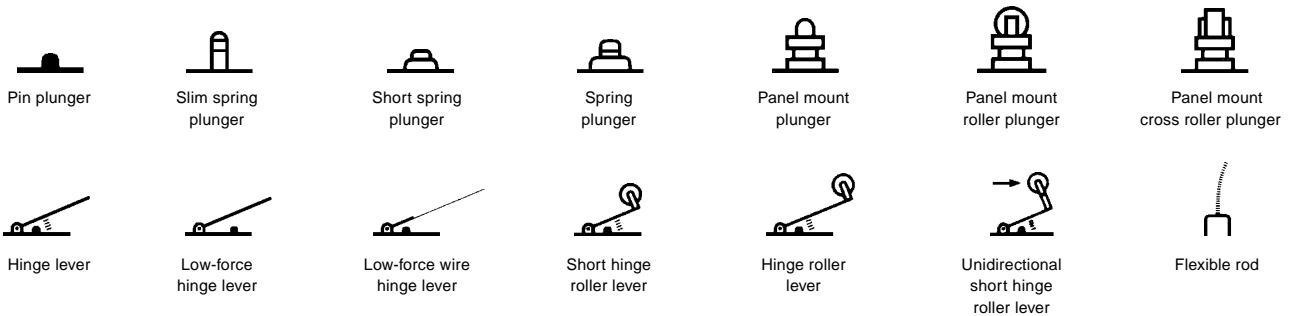
# Z

### General Purpose Basic Switch

- High precision basic switch in a variety of styles
- Wide margins of operating conditions increase the operating speed range
- Available in general purpose and drip-proof types



### Ordering Information



#### GENERAL PURPOSE TYPE

##### Standard

Actuator	Operating Characteristics	Rated Current	Part Number	
			Solder Terminal	Screw Terminal
Pin plunger		15 A	<b>Z-15G</b>	<b>Z-15G-B</b>
Slim spring plunger		15 A	<b>Z-15GS</b>	<b>Z-15GS-B</b>
Short spring plunger	Low OP	15 A	<b>Z-15GD</b>	<b>Z-15GD-B</b>
Panel mount plunger	Middle OP	15 A	<b>Z-15GQ</b>	<b>Z-15GQ-B</b>
Panel mount roller plunger		15 A	<b>Z-15GQ22</b>	<b>Z-15GQ22-B</b>
Panel mount cross roller plunger		15 A	<b>Z-15GQ21</b>	<b>Z-15GQ21-B</b>
Hinge lever	Low OF	15 A	<b>Z-15GW</b>	<b>Z-15GW-B</b>
Low-force hinge lever		15 A	<b>Z-15GW4</b>	<b>Z-15GW4-B</b>
Short hinge roller lever		15 A	<b>Z-15GW22</b>	<b>Z-15GW22-B</b>
Hinge roller lever	Parallel	15 A	<b>Z-15GW2</b>	<b>Z-15GW2-B</b>
Unidirectional short hinge roller lever	Low OF	15 A	<b>Z-15GW2277</b>	<b>Z-15GW2277-B</b>

**GENERAL PURPOSE TYPE**

**High-sensitivity**

Actuator	Operating Characteristics	Rated Current	Part Number	
			Solder Terminal	Screw Terminal
Pin plunger		15 A	—	<b>Z-15H-B</b>
Low-force hinge lever		15 A	—	<b>Z-15HW24-B</b>
Low-force, wire hinge lever	Low OF	15 A	<b>Z-15HW78</b>	<b>Z-15HW78-B</b>
Short hinge roller lever		15 A	—	<b>Z-15HW22-B</b>

**DRIP-PROOF TYPE**

**Standard**

Actuator	Operating Characteristics	Rated Current	Contact Gap	Part Number	
				Solder Terminal	Screw Terminal
Slim spring plunger		15 A	0.5 mm	<b>Z-15GS55</b>	<b>Z-15GS55-B</b>
Short spring plunger		15 A	0.5 mm	<b>Z-15GD55</b>	<b>Z-15GD55-B</b>
Spring plunger	Middle OP	15 A	0.5 mm	<b>Z-15GK55</b>	<b>Z-15GK55-B</b>
	High OP	15 A	0.5 mm	<b>Z-15GK355</b>	<b>Z-15GK355-B</b>
Panel mount plunger	Middle OP	15 A	0.5 mm	<b>Z-15GQ55</b>	<b>Z-15GQ55-B</b>
Panel mount roller plunger		15 A	0.5 mm	—	<b>Z-15GQ2255-B</b>
Panel mount cross roller plunger		15 A	0.5 mm	—	<b>Z-15GQ2155-B</b>
Hinge lever	Low OF	15 A	0.5 mm	<b>Z-15GW55</b>	<b>Z-15GW55-B</b>
Short hinge roller lever		15 A	0.5 mm	<b>Z-15GW2255</b>	<b>Z-15GW2255-B</b>
Hinge roller lever	Parallel	15 A	0.5 mm	<b>Z-15GW255</b>	<b>Z-15GW255-B</b>
Flexible rod	High OF	15 A	0.5 mm	<b>Z-15GNJ55</b>	<b>Z-15GNJ55-B</b>

**DRIP-PROOF TYPE**

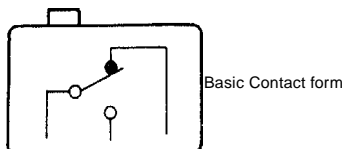
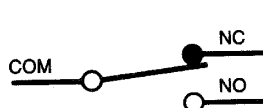
**High-sensitivity**

Actuator	Operating Characteristics	Rated Current	Contact Gap	Part Number	
				Solder Terminal	Screw Terminal
Panel mount plunger	Middle OP	15 A	0.25 mm	—	<b>Z-15HQ55-B</b>
Flexible rod	High OF	15 A	0.25 mm	—	<b>Z-15HNS55-B</b>

Note: For smaller mounting hole types, please consult OMRON.

**■ BASIC CONTACT FORM**

Type	Contact gap	Features
General purpose	H: 0.25 mm (high sensitivity)	Pin plunger and lever types available. Drip-proof and flexible rod types are also available.
	G: 0.5 mm (standard)	
Drip-proof	H: 0.25 mm (high sensitivity)	The pin plunger is sealed from the other switch mechanisms by a resilient rubber, and the case and cover are sealed by adhesive so that the switch is resistant to humidity, oil and dust. The degree of protection conforms to IEC IP63.
	G: 0.5 mm (standard)	



# Specifications

## Standard type (except flexible rod types)

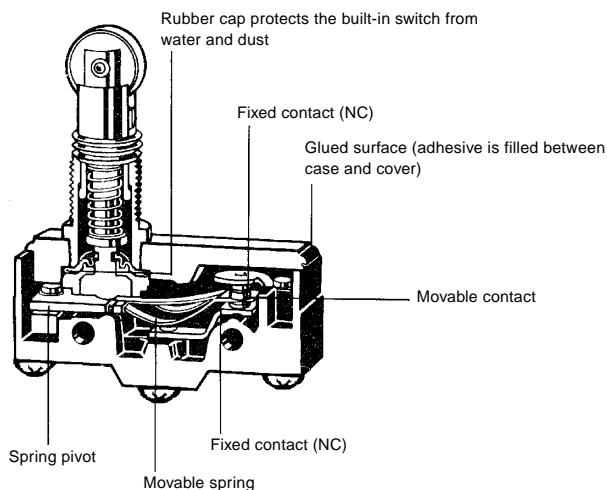
Contact gap	Rated voltage	Non-inductive load (A)				Inductive load (A)				Inrush current (A)	
		Resistive load		Lamp load		Inductive load		Motor load			
		NC	NO	NC	NO	NC	NO	NC	NO	NC	NO
G,H	125 VAC	15 (10)	—	3	1.5	15 (10)	—	5	2.5	30 max.	15 max.
	250 VAC	15 (10)	—	2.5	1.25	15 (10)	—	3	1.5		
	500 VAC	10	—	1.5	0.75	6	—	1.5	0.75		
G	8 VDC	15	—	3	1.5	15	—	5	2.5		
	14 VDC	15	—	3	1.5	10	—	5	2.5		
	30 VDC	6	—	3	1.5	5	—	5	2.5		
	125 VDC	0.5	—	0.5	0.5	0.05	—	0.05	0.05		
	250 VDC	0.25	—	0.25	0.25	0.03	—	0.03	0.03		
H	8 VDC	15	—	3	1.5	15	—	5	2.5		
	14 VDC	15	—	3	1.5	10	—	5	2.5		
	30 VDC	2	—	2	1.4	1	—	1	1		
	125 VDC	0.4	—	0.4	0.4	0.03	—	0.03	0.03		
	250 VDC	0.2	—	0.2	0.2	0.02	—	0.02	0.02		

## Standard flexible rod types

Rated voltage	Non-inductive load (A)				Inductive load (A)				Inrush current (A)	
	Resistive load		Lamp load		Inductive load		Motor load			
	NC	NO	NC	NO	NC	NO	NC	NO	NC	NO
125 VAC	15	—	2	1	7	—	2.5	2	30 max.	15 max.
250 VAC	15	—	1	0.5	5	—	1.5	1		
8 VDC	15	—	2	1	7	—	3	1.5		
14 VDC	15	—	2	1	7	—	3	1.5		
30 VDC	2	—	2	1	1	—	1	0.5		
125 VDC	0.4	—	0.4	0.4	0.03	—	0.03	0.03		
250 VDC	0.2	—	0.2	0.2	0.02	—	0.02	0.02		

## ■ CONSTRUCTION

### Drip-proof type



## Characteristics

		Standard (except flexible rod types)	Standard flexible rod types (coil spring and steel wire type)
Operating speed		0.01 mm to 1 m/second (see note 2)	1 mm to 1 m/second
Operating frequency	Mechanical	240 operations/min.	120 operations/min.
	Electrical	20 operations/min.	20 operations/min.
Insulation resistance		100 MΩ min. (at 500 VDC)	
Contact resistance		50 mΩ max. (initial)	15 mΩ max. (initial)
Dielectric strength (VAC)	G contact gap model	1,000 VAC, 50/60 Hz for 1 minute between terminals of same polarity	
	H contact gap model	600 VAC, 50/60 Hz for 1 minute	
		2,000 VAC, 50/60 Hz for 1 minute between current carrying metal parts and ground and between each terminal and non-current carrying metal parts	
Vibration	Malfunction	10 to 55 Hz, 1.5 mm double amplitude (see note 4)	10 to 20 Hz, 1.5 mm double amplitude
Shock	Mechanical durability	1,000 m/s <sup>2</sup> min. (approx. 100 g)	
	Malfunction	300 m/s <sup>2</sup> min. (approx. 30 g) (see note 3)	50 m/s <sup>2</sup> min. (approx. 5 g)
Ambient temperature	Standard types	-25° to 80°C (with no icing)	
	Drip-proof types	-15° to 80°C (with no icing)	
Humidity	Standard types	35% to 85% RH	
	Drip-proof types	35% to 95% RH	
Service life	Mechanical	G, H contact gap models 20,000,000 operations min. (see note 4)	1,000,000 operations min.
	Electrical	G, H contact gap models 500,000 operations min. (see note 2)	100,000 operations min.
Weight		Approx. 22 to 58 g	Approx. 42 to 48 g

- Note: 1. Data shown are of initial value.  
 2. Apply to the pin plunger models or the pin plunger of the lever models.  
 3. Apply to Z-15G.  
 4. Apply to the pin plunger models.

### ■ ACCESSORIES (order separately)

#### Operating Characteristics (when used with Z-15)

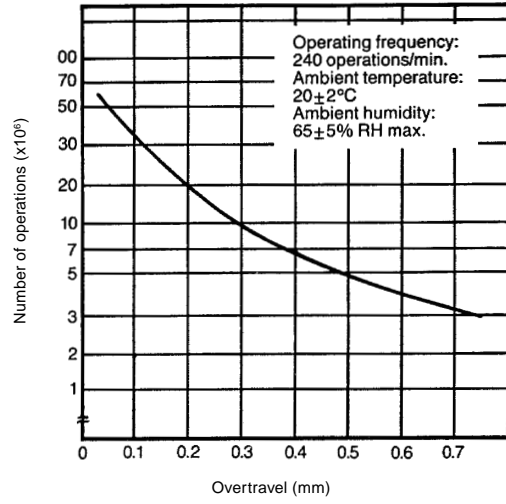
Characteristics	ZAA-1 w/Z-15G-B	ZAA-2 w/Z-15G-B
OF max.	500 g	500 g
RF min.	170 g	170 g
PT max.	—	—
OT min.	12.7 mm	12.7 mm
MD max.	2.2 mm	2.2 mm
FP max.	34.5 mm	46.1 mm
OP	28.9±1.6 mm	40.4±1.6 mm

#### Terminal enclosures - Standard models

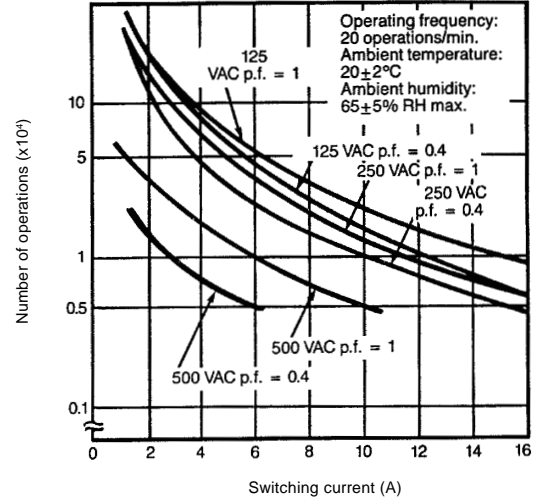
Material	Mounting method	For solder terminal	For screw terminal	Remarks
Phenolic resin	Side mounting	AP-A	AP-B	—
Metal	Side mounting	AP1-A	AP1-B	Use in conjunction with AP-A and AP-B
Polyvinyl chloride	Side mounting	AP-Z	AP-Z	Excels in safety and dust-proofing property

■ CHARACTERISTIC DATA

Mechanical service life  
Z-15G



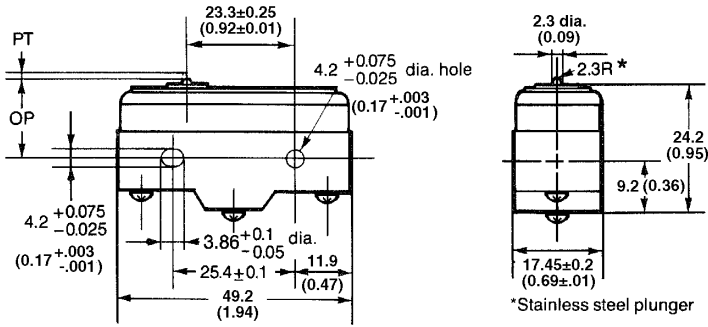
Electrical service life  
Z-15G



# Dimensions

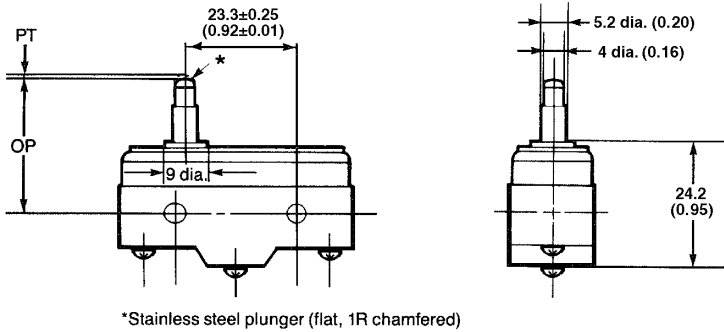
Unit: mm (inch)

## Z-15G-B, Z-15H-B



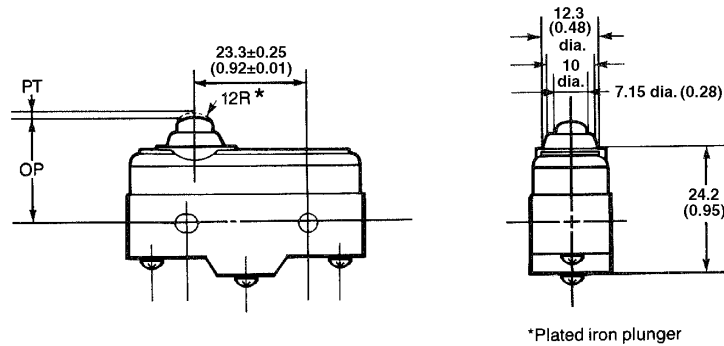
Operating characteristics	Z-15G-B	Z-15H-B
OF	250 to 350 g	200 to 280 g
RF min.	114 g	114 g
PT max.	.4 mm (0.02)	.3 mm (0.01)
OT min.	.13 mm (0.01)	.13 mm (0.01)
MD max.	.05 mm (0.002)	.025 mm (0.001)
OP	15.9 ± 0.4 mm (0.63 ± 0.02)	15.9 ± 0.4 mm (0.63 ± 0.02)

## Z-15GS-B



Operating characteristics	Z-15GS-B
OF	250 to 350 g
RF min.	114 g
PT max.	0.4 mm (0.02)
OT min.	1.6 mm (0.06)
MD max.	0.05 mm (0.002)
OP	28.2 ± 0.5 mm (1.1 ± 0.02)

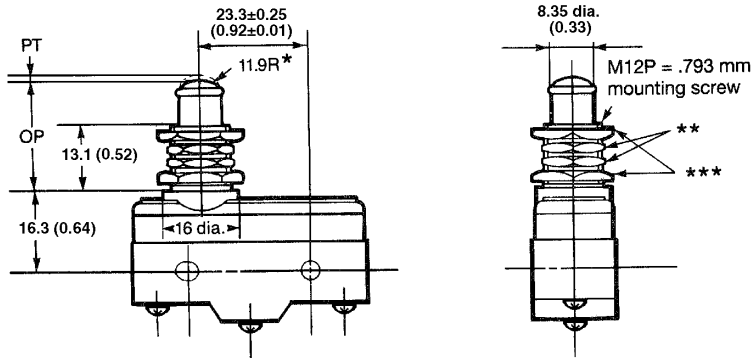
## Z-15GD-B



Operating characteristics	Z-15GD-B
OF	250 to 350 g
RF min.	114 g
PT max.	0.4 mm (0.02)
OT min.	1.6 mm (0.06)
MD max.	0.05 mm (0.002)
OP	21.5 ± 0.5 mm (0.85 ± 0.02)

- Note: 1. Unless otherwise specified, a tolerance of ± 0.4 mm applies to all dimensions.  
 2. For smaller diameter mounting holes, please consult OMRON.  
 3. All drawings show the switches with screw terminals. For solder terminals, remove the "-B" from the end of the part number.

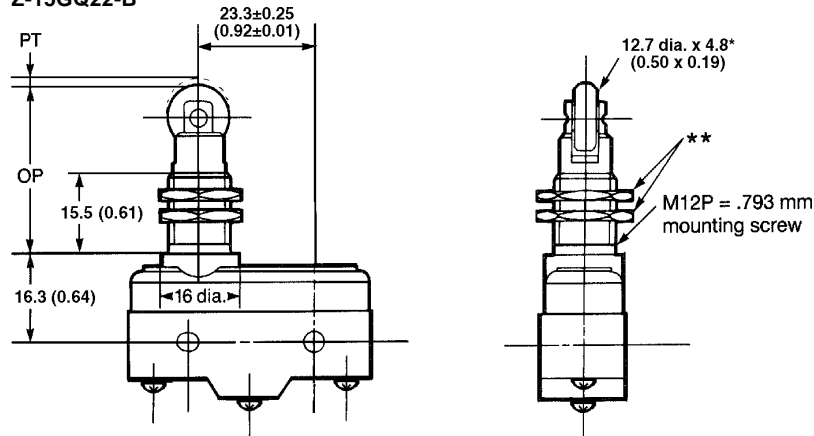
## Z-15GQ-B



- \*Stainless steel plunger
- \*\*Two hexagonal nuts (2 t x 14 width across flats)
- \*\*\*Two lock nuts (2 t x 15.6 width across flats)

Operating characteristics	Z-15GQ-B
OF	250 to 350 g
RF min.	114 g
PT max.	0.4 mm (0.02)
OT min.	5.5 mm (0.22)
MD max.	0.05 mm (0.002)
OP	21.8 ± 0.8 mm (0.86 ± 0.03)

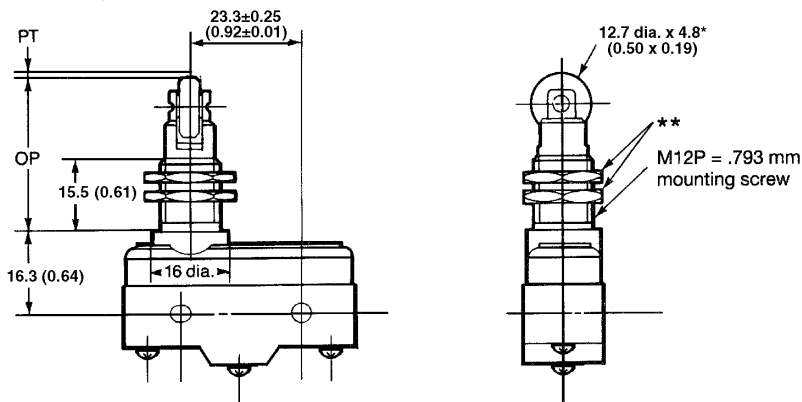
## Z-15GQ22-B



- \*Stainless steel roller
- \*\*Two hexagonal nuts (3 t x 17 width across flats)

Operating characteristics	Z-15GQ22-B
OF	250 to 350 g
RF min.	114 g
PT max.	0.4 mm (0.02)
OT min.	3.58 mm (0.14)
MD max.	0.05 mm (0.002)
OP	33.4 ± 1.2 mm (1.31 ± 0.05)

## Z-15GQ21-B



- \*Stainless steel roller
- \*\*Two hexagonal nuts (3 t x 17 width across flats)

Operating characteristics	Z-15GQ21-B
OF	250 to 350 g
RF min.	114 g
PT max.	0.4 mm (0.02)
OT min.	3.58 mm (0.14)
MD max.	0.05 mm (0.002)
OP	33.4 ± 1.2 mm (1.31 ± 0.05)

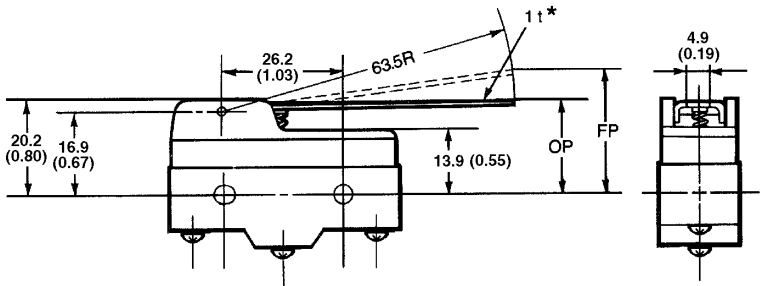
Note: 1. Unless otherwise specified, a tolerance of  $\pm 0.4$  mm applies to all dimensions.

2. For smaller diameter mounting holes, please consult OMRON.

3. All drawings show the switches with screw terminals. For solder terminals, remove the "-B" from the end of the part number.

Unit: mm (inch)

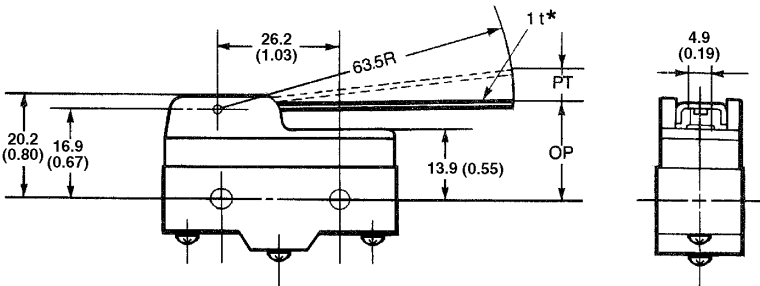
**Z-15GW-B**



\*Stainless steel lever

Operating characteristics	Z-15GW-B
OF max.	70 g
RF min.	14 g
OT min.	5.6 mm (0.22)
MD max.	1.27 mm (0.05)
FP max.	28.2 mm (1.11)
OP	19 ± 0.8 mm (0.75 ± 0.03)

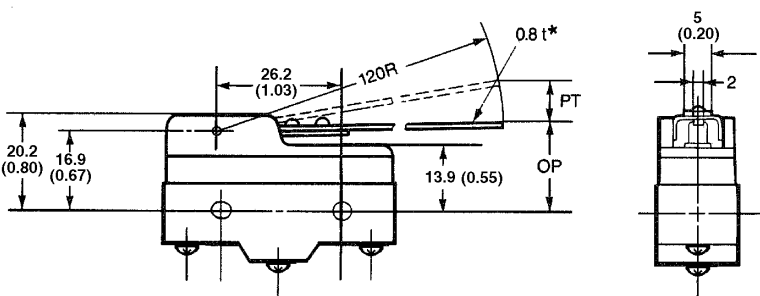
**Z-15GW4-B**



\*Stainless steel lever

Operating characteristics	Z-15GW4-B
OF max.	28 g
RF min.	3.5 g
PT max.	10 mm (0.39)
OT min.	5.6 mm (0.22)
MD max.	1.27 mm (0.05)
OP	19 ± 0.8 mm (0.75 ± 0.03)

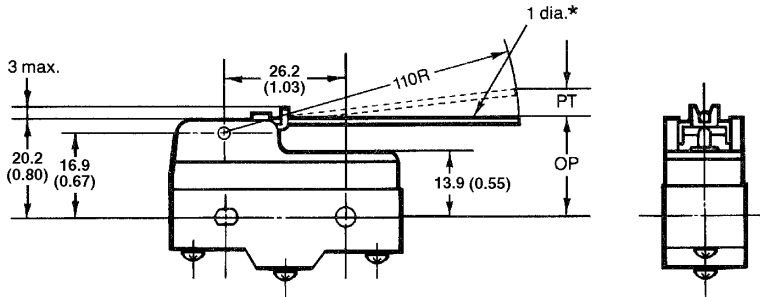
**Z-15HW24-B**



\*Stainless steel lever

Operating characteristics	Z-15HW24-B
OF max.	6 g
RF min.	0.5 g
PT max.	19.8 mm (0.78)
OT min.	10 mm (0.39)
MD max.	2 mm (0.08)
OP	19.8 ± 1.6 mm (0.75 ± 0.03)

**Z-15HW78-B**



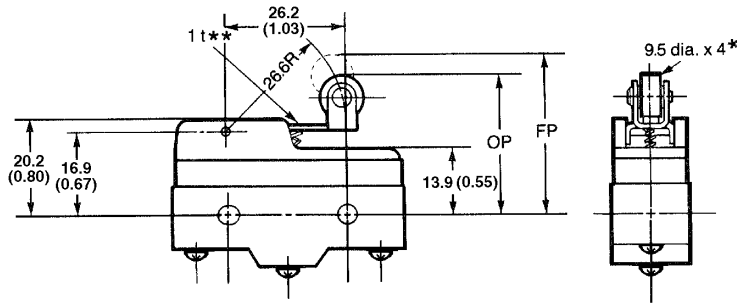
\*Stainless steel wire lever

Operating characteristics	Z-15HW78-B
OF max.	4 g
RF min.	0.3 g
PT max.	10 mm (0.39)
OT min.	6 mm (0.24)
MD max.	3 mm (0.12)
OP	20 ± 1 mm (0.79 ± 0.04)

Note: 1. Unless otherwise specified, a tolerance of ± 0.4 mm applies to all dimensions.  
 2. For smaller diameter mounting holes, please consult OMRON.  
 3. All drawings show the switches with screw terminals. For solder terminals, remove the "-B" from the end of the part number.



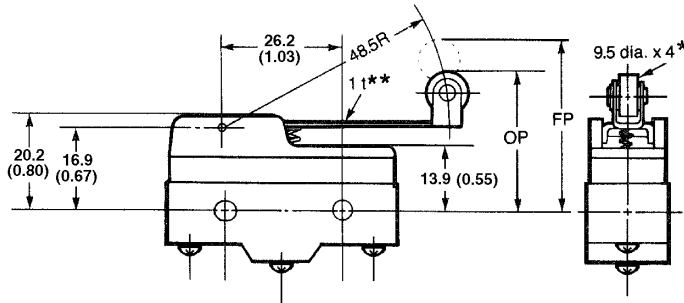
## Z-15GW22-B, Z-15HW22-B



\* Plastic roller  
\*\* Stainless steel lever

Operating characteristics	Z-15GW22-B	Z-15HW22-B
OF max.	160 g	150 g
RF min.	42 g	42 g
OT min.	2.4 mm (0.09)	2.4 mm (0.09)
MD max.	0.5 mm (0.02)	0.45 mm (0.02)
FP max.	32.5 mm (1.28)	32.5 mm (1.28)
OP	30.2 ± 0.4 mm (1.19 ± 0.02)	30.2 ± 0.4 mm (1.19 ± 0.02)

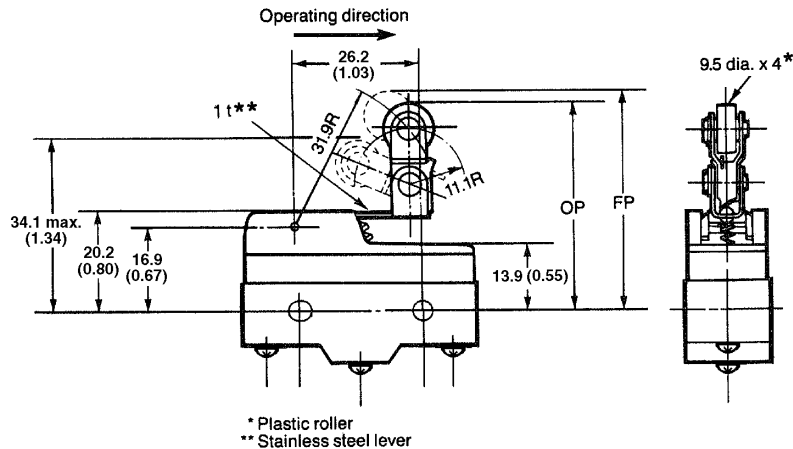
## Z-15GW2-B



\* Plastic roller  
\*\* Stainless steel lever

Operating characteristics	Z-15GW2-B
OF max.	100 g
RF min.	22 g
OT min.	4 mm (0.16)
MD max.	1.02 mm (0.04)
FP max.	36.5 mm (1.44)
OP	30.2 ± 0.8 mm (1.19 ± 0.03)

## Z-15GW2277-B



\* Plastic roller  
\*\* Stainless steel lever

Operating characteristics	Z-15GW2277-B
OF max.	170 g
RF min.	42 g
OT min.	2.4 mm (0.09)
MD max.	0.51 mm (0.02)
FP max.	43.6 mm (1.72)
OP	41.3 ± 0.8 mm (1.63 ± 0.03)

Note: 1. Unless otherwise specified, a tolerance of ± 0.4 mm applies to all dimensions.

2. For smaller diameter mounting holes, please consult OMRON.

3. All drawings show the switches with screw terminals. For solder terminals, remove the "-B" from the end of the part number.

Operating characteristics	Z-15GS55-B
OF max.	540 g
RF min.	114 g
PT max.	1.9 mm (0.07)
OT min.	1.6 mm (0.06)
MD max.	0.06 mm (0.002)
OP	28.2 ± 0.5 mm (1.11 ± 0.02)

**Z-15GD55-B**

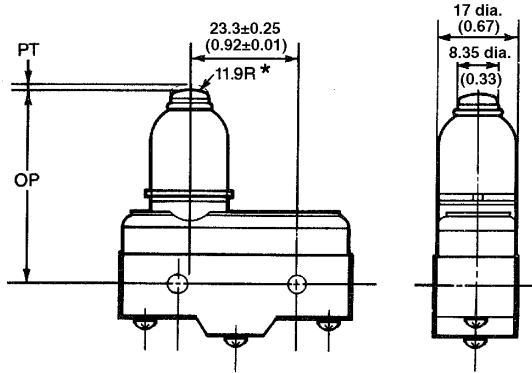
Operating characteristics	Z-15GD55-B
OF max.	540 g
RF min.	114 g
PT max.	1.8 mm (0.07)
OT min.	1.6 mm (0.06)
MD max.	0.06 mm (0.002)
OP	21.5 ± 0.5 mm (.85 ± 0.02)

**Z-15GK55-B**

Operating characteristics	Z-15GK55-B
OF max.	540 g
RF min.	114 g
PT max.	2.3 mm (0.09)
OT min.	1.6 mm (0.06)
MD max.	0.06 mm (0.002)
OP	28.2 ± 0.5 mm (1.11 ± 0.02)

- Note: 1. Unless otherwise specified, a tolerance of ± 0.4 mm applies to all dimensions.  
 2. For smaller diameter mounting holes, please consult OMRON.  
 3. All drawings show the switches with screw terminals. For solder terminals, remove the "-B" from the end of the part number.

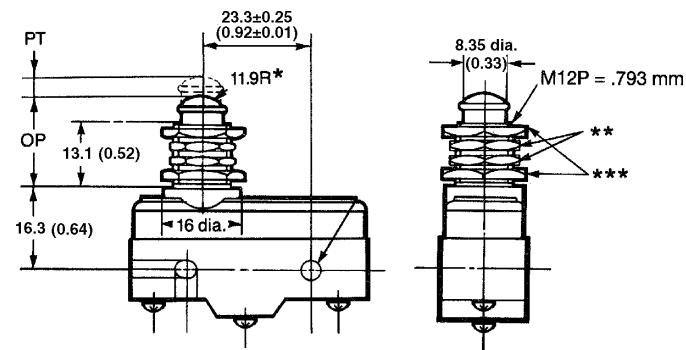
## Z-15GK355-B



\*Stainless steel plunger

Operating characteristics	Z-15GK355-B
OF max.	540 g
RF min.	114 g
PT max.	2.4 mm (0.09)
OT min.	3.5 mm (0.14)
MD max.	0.06 mm (0.002)
OP	37.8 ± 1.2 mm (1.49 ± 0.05)

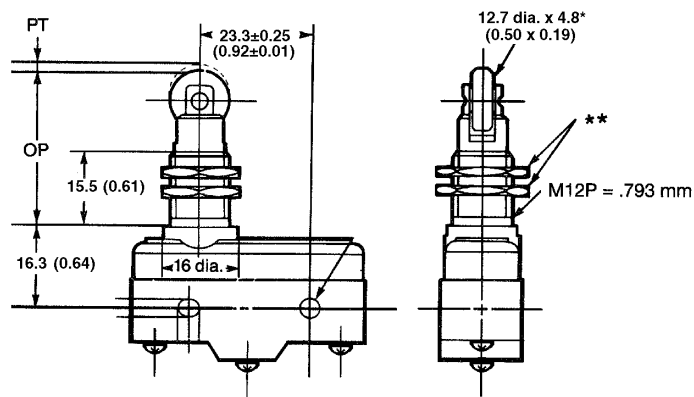
## Z-15GQ55-B, Z-15HQ55-B



\* Stainless steel plunger  
 \*\* Two hexagonal nuts (2 t x 14 width across flats)  
 \*\*\* Two lock nuts (2 t x 15.6 width across flats)

Operating characteristics	Z-15GQ55-B	Z-15GH55-B
OF max.	540 g	400 g
RF min.	114 g	114 g
PT min.	1.8 mm (0.07)	1.7 mm (0.07)
OT min.	5.5 mm (0.22)	5.5 mm (0.22)
MD max.	0.06 mm (0.002)	0.04 mm (0.002)
OP	21.8 ± 0.8 mm (0.86 ± 0.03)	21.8 ± 0.8 mm (0.86 ± 0.03)

## Z-15GQ2255-B



\* Stainless steel roller  
 \*\* Two hexagonal nuts (3 t x 17 width across flats)

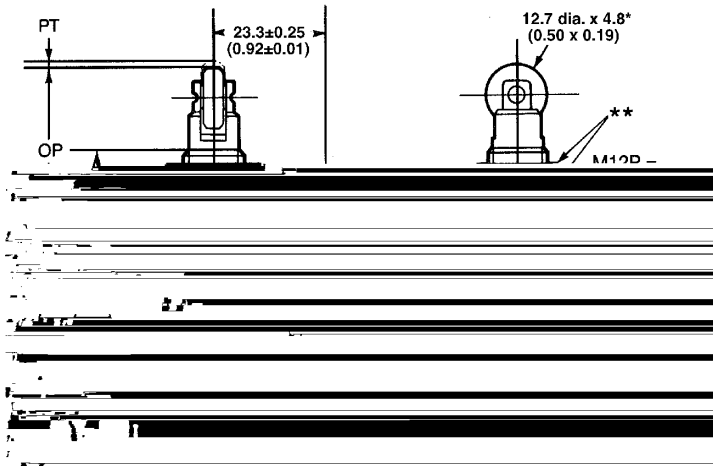
Operating characteristics	Z-15GQ2255-B
OF max.	540 g
RF min.	114 g
PT max.	1.8 mm (0.07)
OT min.	3.58 mm (0.14)
MD max.	0.06 mm (0.002)
OP	33.4 ± 1.2 mm (1.31 ± 0.05)

Note: 1. Unless otherwise specified, a tolerance of ± 0.4 mm applies to all dimensions.

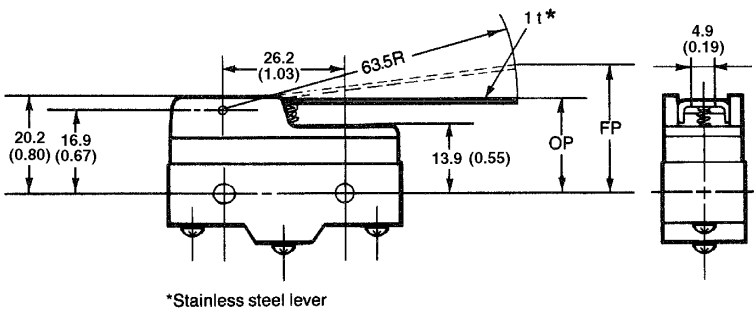
2. For smaller diameter mounting holes, please consult OMRON.

3. All drawings show the switches with screw terminals. For solder terminals, remove the "B" from the end of the part number.

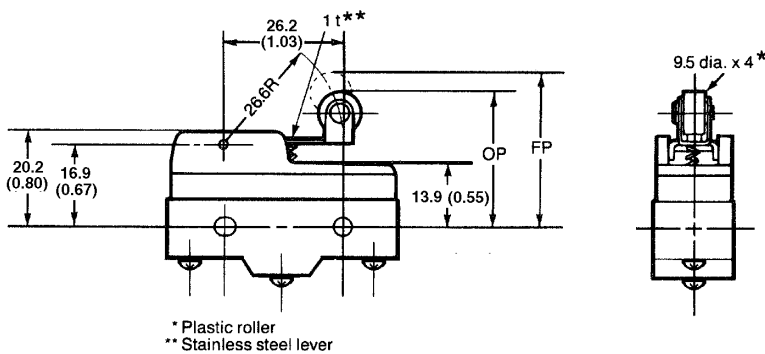
Unit: mm (inch)

**Z-15GQ2155-B**

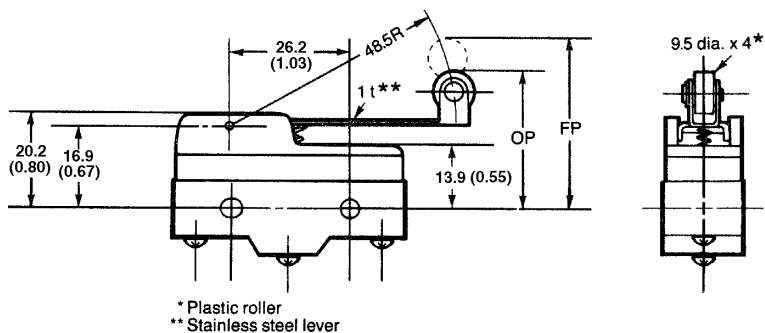
Operating characteristics	Z-15GQ2155-B
OF max.	540 g
RF min.	114 g
PT max.	1.8 mm (0.07)
OT min.	3.58 mm (0.14)
MD max.	0.06 mm (0.002)
OP	33.4 ± 1.2 mm (1.31 ± 0.05)

**Z-15GW55-B**

Operating characteristics	Z-15GW55-B
OF max.	100 g
RF min.	14 g
OT min.	5.6 mm (0.22)
MD max.	2 mm (0.08)
FP max.	28.2 mm (1.11)
OP	19 ± 0.8 mm (0.75 ± 0.03)

**Z-15GW2255-B**

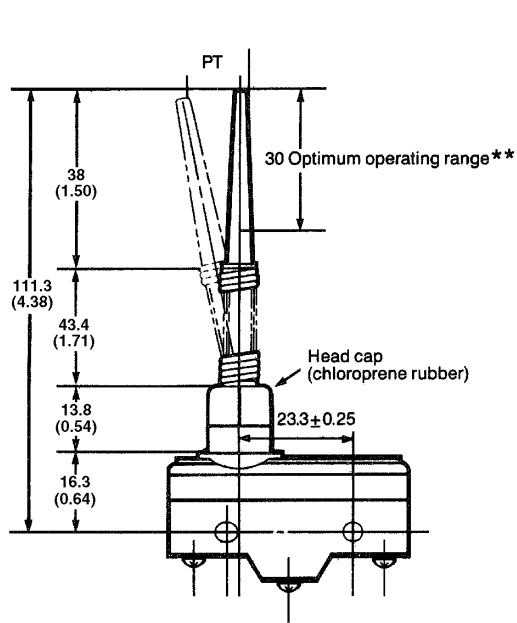
Operating characteristics	Z-15GW2255-B
OF max.	200 g
RF min.	42 g
OT min.	2.44 mm (0.10)
MD max.	0.8 mm (0.03)
FP max.	32.9 mm (1.30)
OP	30.2 ± 0.4 mm (1.19 ± 0.02)

**Z-15GW255-B**

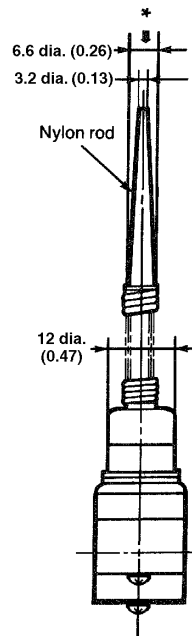
Operating characteristics	Z-15GW255-B
OF max.	130 g
RF min.	21 g
OT min.	4 mm (0.16)
MD max.	1.6 mm (0.06)
FP max.	36.5 mm (1.44)
OP	30.2 ± 0.8 mm (1.19 ± 0.03)

- Note: 1. Unless otherwise specified, a tolerance of ± 0.4 mm applies to all dimensions.  
 2. For smaller diameter mounting holes, please consult OMRON.  
 3. All drawings show the switches with screw terminals. For solder terminals, remove the "-B" from the end of the part number.

## Z-15GNJ55-B



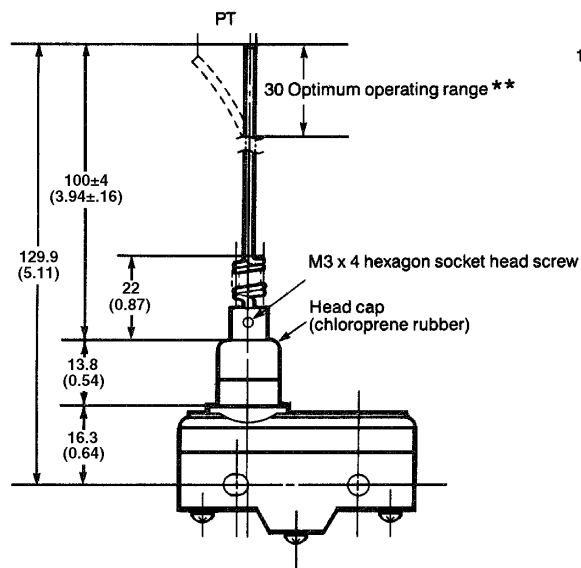
- \* The coil spring may be operated from any direction except axial direction (⚡).
- \*\* Be sure to use the cam within 30 mm from the top end of the stainless wire. (Avoid use within 80 mm from the mounting hole.)



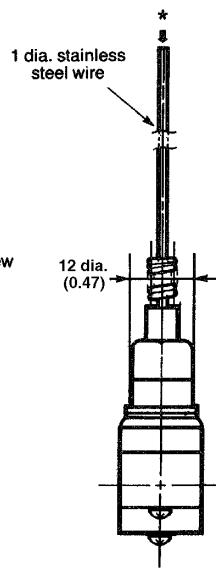
Operating characteristics	Z-15GNJ55-B
OF max.	50 g
PT max.	20 mm* (0.79)

\* Reference value

## Z-15HNJ55-B



- \* The coil spring may be operated from any direction except axial direction (⚡).
- \*\* Be sure to use the cam within 30 mm from the top end of the stainless wire. (Avoid use within 100 mm from the mounting hole.)



Operating characteristics	Z-15HNJ55-B
OF max.	15 g
PT max.	25 mm* (0.98)

\* Reference value

Note: 1. Unless otherwise specified, a tolerance of  $\pm 0.4$  mm applies to all dimensions.

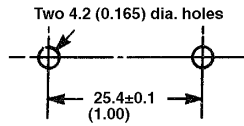
2. For smaller diameter mounting holes, please consult OMRON.

3. All drawings show the switches with screw terminals. For solder terminals, remove the "-B" from the end of the part number.

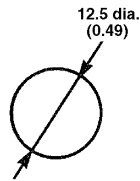
Unit: mm (inch)

■ MOUNTING HOLES

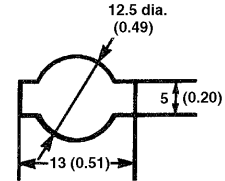
Side mounting



Panel mounting plunger type

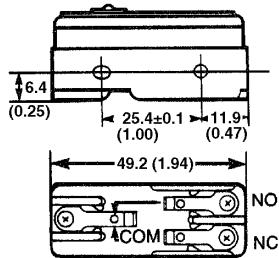


Roller plunger type

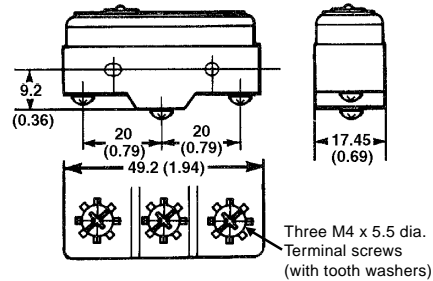


■ TERMINALS

Solder terminal (blank)

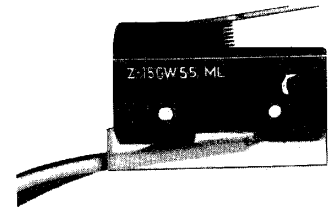
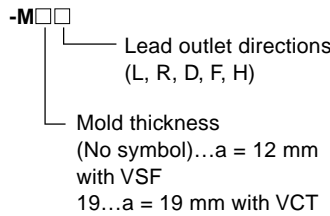


Screw terminal (B)



■ MOLDED TERMINAL TYPE ORDERING INFORMATION

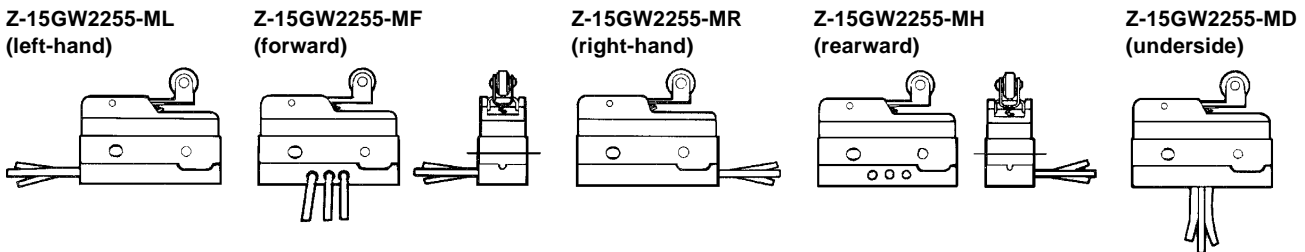
The solder terminal type can be supplied with molded terminals with a choice of five different lead outlet directions. When placing your order for the molded terminal type, add the following code to the model number.



- Note:
- Standard leads are single-core vinyl cords (VSF) with a nominal cross sectional area of 1.25 mm<sup>2</sup>.
  - Standard vinyl cord lengths are 1 m, 3 m, and 5 m.
  - Mold thickness will be 19 mm when using VCT cords.
  - Standard unit has three lead outlets in the same direction.
  - Connect the black lead to the COM terminal, white lead to the NO terminal, and red lead to the NC terminal, respectively.

■ DIRECTIONS OF LEAD OUTLETS

The following diagrams show the molded terminal version of sealed type Z-15GW2255, with a mold thickness of 12 mm.



Note: Respective directions of lead outlets are determined with the plunger viewed on your left.

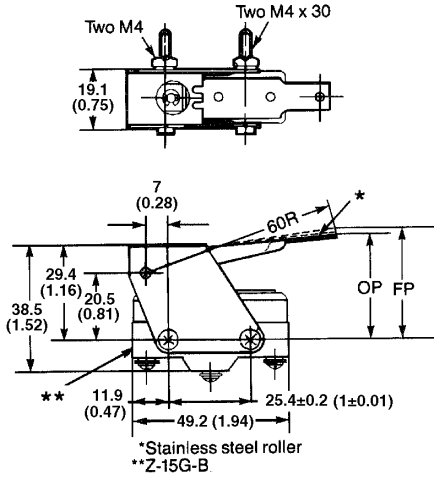
■ LEAD WIRE SPECIFICATIONS

Type	Nominal cross-sectional area (mm <sup>2</sup> )	Finished outer diameter (mm)	Connection to terminal	Length (m)
VSF (single-core, vinyl cord)	1.25	Approx. 3.1	Black-COM	0.5, 1, 2, 3, 5 (standard)
VCT (vinyl-insulated cable)		Approx. 9.6 (2-core)	White-NO	
		Approx. 10.5 (3-core)	Red-NC	

■ ACCESSORIES, order separately

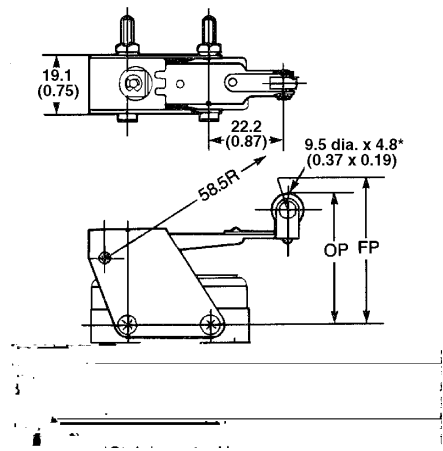
Hinge lever

ZAA-1



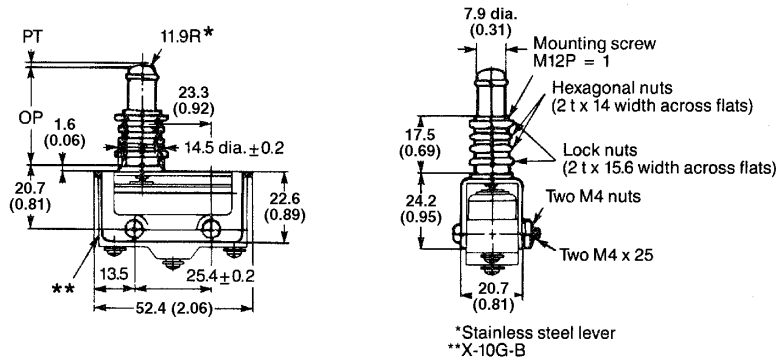
Hinge roller lever

ZAA-2



Panel mount plunger

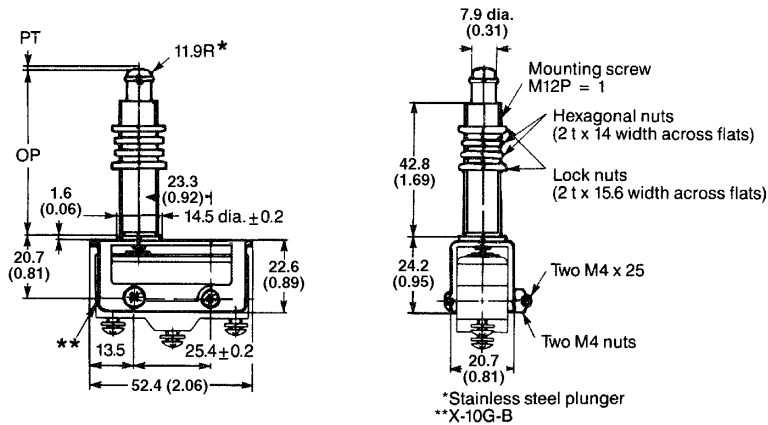
ZAQ-3



Operating characteristics	ZAQ-3 with Z-15G
OF max.	550 g
RF min.	144 g
RT max.	1 mm (0.04 in)
OT min.	4.5 mm (0.18 in)
MD max.	0.2 mm (0.01 in)
OP	27.8±1.5 mm (1.09±0.06 in)

Panel mount plunger

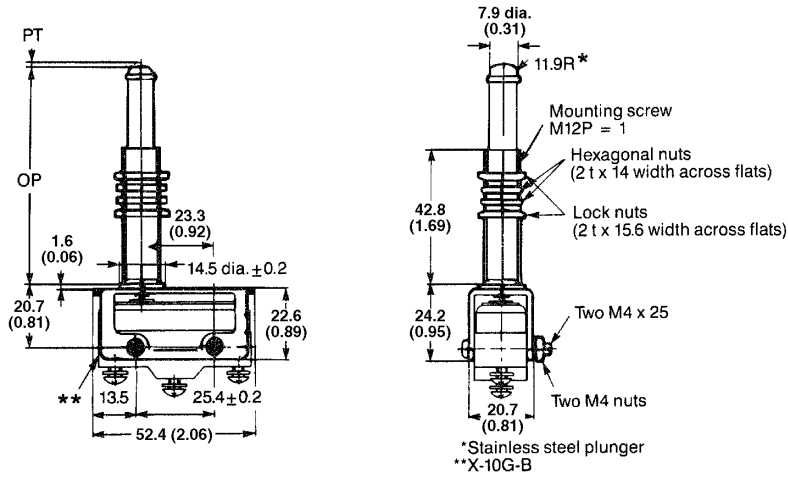
ZAQ-2



Operating characteristics	ZAQ-2 with Z-15G
OF max.	550 g
RF min.	144 g
RT max.	1 mm (0.04 in)
OT min.	4.5 mm (0.18 in)
MD max.	0.2 mm (0.01 in)
OP	53.2±1.5 mm (2.09±0.06 in)

Note: Unless otherwise specified, a tolerance of ± 0.8 mm applies to all dimensions.

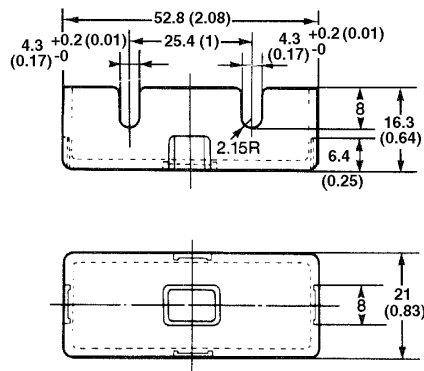
**Panel mount plunger  
ZAQ-1**



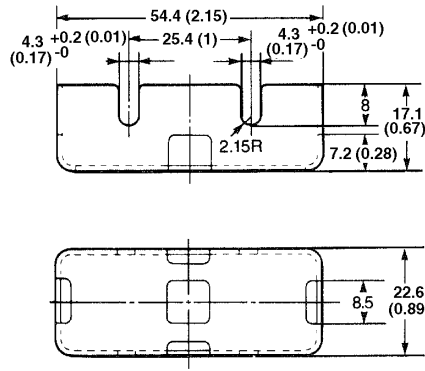
Operating characteristics	ZAQ-1 with Z-15G
OF max.	550 g
RF min.	144 g
RT max.	1 mm (0.04 in)
OT min.	20.4 mm (0.80 in)
MD max.	0.2 mm (0.01 in)
OP	69.1±1.5 mm (2.72±0.06 in)

Note: Unless otherwise specified, a tolerance of ± 0.8 mm applies to all dimensions.

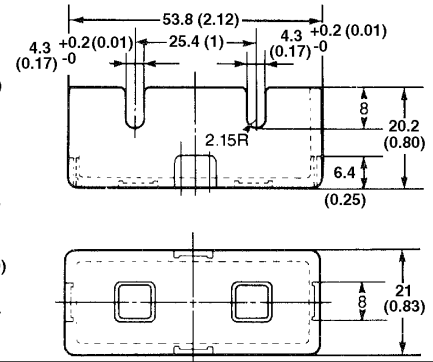
**AP-A (for solder terminal)**



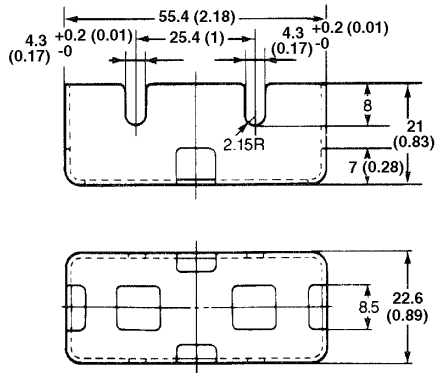
**AP1-A (for solder terminal)**



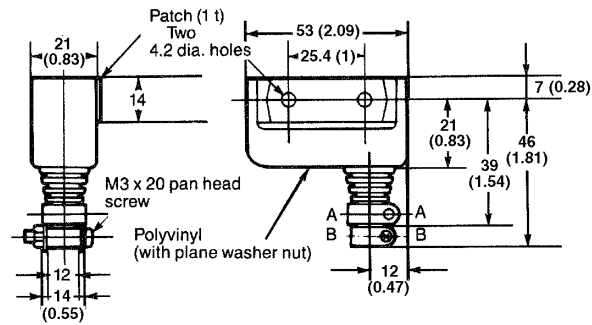
**AP-B (for screw terminal)**



**AP1-B**



**AP-Z**



Note: Unless otherwise specified, a tolerance of ± 0.4 mm applies to all dimensions.

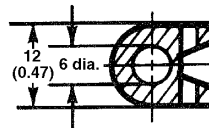


■ **CABLE OUTLET DIMENSIONS**

A-A section



B-B section



Note: The cable outlet is provided with two stepped openings (6 dia. and 8 dia.) to permit the use of either opening according to the finished OD of the cable to be connected.

■ **APPROVALS**

UL (File No. E41515)/CSA (File No. LR21642)/SEV (File No. S20/163)

Type	Rating
Z-15 Series	15 A 125, 250 or 480 VAC 1/2 A 125 VDC, 1/4 A 250 VDC 1/8 HP 125 VAC, 1/4 A 250 VAC

Note: The rated values approved by each of the safety standards (e.g. UL/CSA) may be different from the performance characteristics individually defined in this catalog.

**Precautions**

■ **OPERATION**

**High sensitivity switch (Z-15H)**

When using the switch in a DC circuit, be sure to provide an arc suppressor as well because the small contact gap of the switch may result in contact troubles.

In an application where a high repeat accuracy is required, limit

---

**OMRON**

**OMRON ELECTRONICS, INC.**

One East Commerce Drive  
Schaumburg, IL 60173

**1-800-55-OMRON**

**OMRON CANADA, INC.**

885 Milner Avenue  
Scarborough, Ontario M1B 5V8

**416-286-6465**