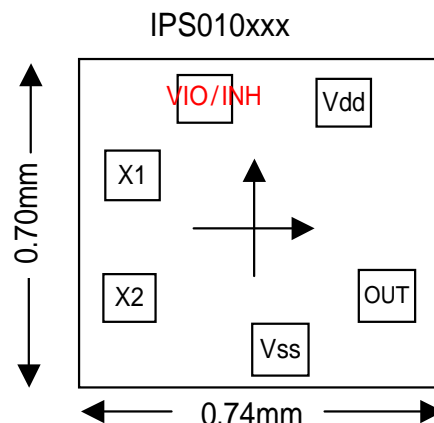
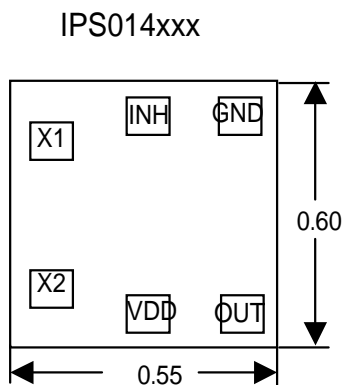
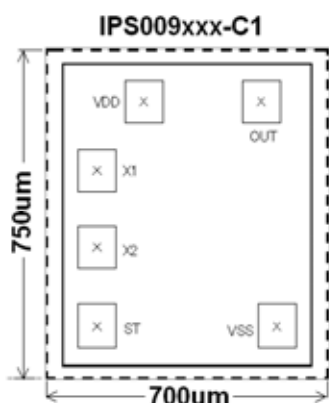


Product Name	VDD (V)	fo(MHz)	Divider	Standby (μA) CL=0pF	Power Consumption(mA)			Frequency Voltage	Chip Size (mm) (Pad)
					@CL=15pF		@CL=0pF		
					Idd Typ	Idd Max	Idd Typ		
IPS009BL0 9BL1 9BL2 9BL3	1.2-3.3	14-48	0	1.2	1.2	1.5	0.8	27MHz 1.8V	0.75 x 0.70 Low Voltage Noise less at start up
1									
2									
3									
IPS009CM0 9CM1 9CM2 9CM3	1.6-3.6V	50-100	0	1.2			4.0	50MHz 3.0V	0.75 x 0.70 100MHz Fundamental
1									
2									
3									
IPS009DM0 9DM1 9DM2 9DM3	2.7-3.3V	90-125	0	1.2			7.0	125MHz 3.0V	0.75 x 0.70 125MHz Fundamental
1									
2									
3									
IPS010AK0 IPS010BK0	1.0-5.5	32,768Hz	0	--	VIO Input		0.25 μA	32,768Hz	0.74 x 0.70 5 pad
			0		INH Function				
IPS013BL0	1.6-3.6	14-54	0	1.0			1.0	27MHz, 1.8V	frequency adjust
IPS014BL0 014BL1 014BL2 014BL3	1.6-3.6	14-54	0	1.0			2.4	54MHz	0.60x0.55 Flip Chip type
			1						
			2						
			3						
IPS014CM0		50-100	0	1.0			5.0	100MHz	
IPS014DM0		90-150	0	1.0			8.0	150MHz	



Notes: these data may be changed without notice. Please confirm the newest information below.