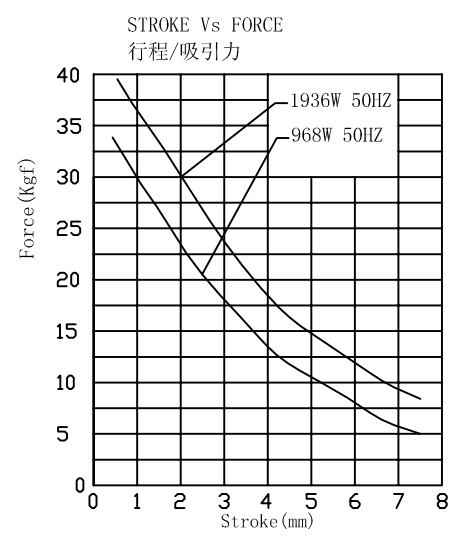
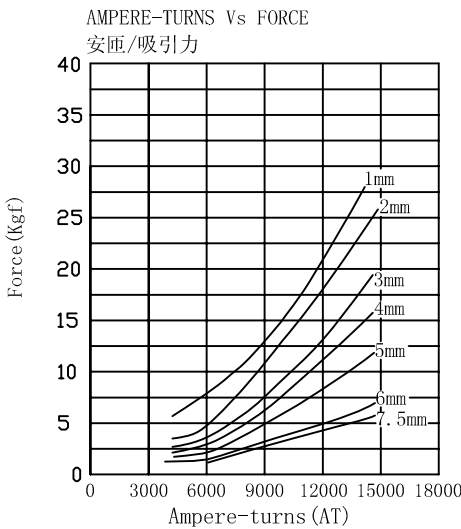
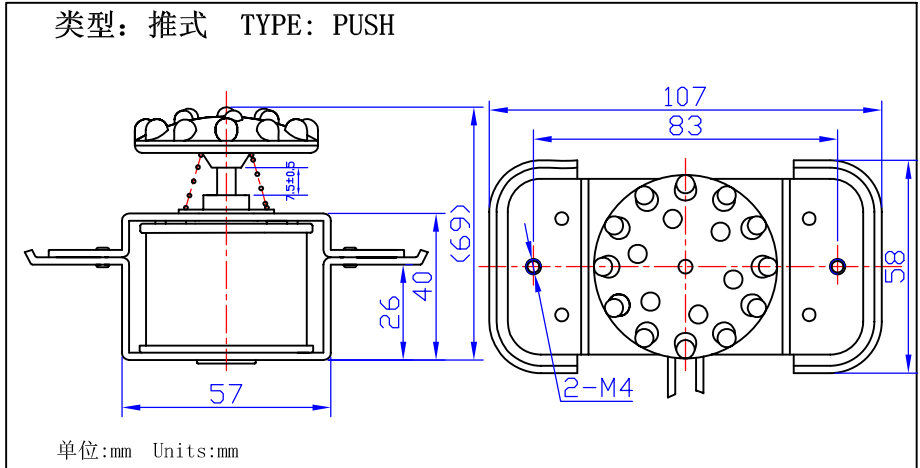


ZHM-1640S Massager Solenoids



总重量 Total Weight: 520g
应用范围: 用于按摩椅、按摩垫等
APPLICATION: Massage Chair, Massage Pillow



综合特性 GENERAL FEATURES

- 力量: 保持力不低于6Kg
FORCE: THE HOLDING FORCE IS NOT WEAKER THAN 6Kg
- 行程: 0 ~ 7.5mm
STROKE: 0 ~ 7.5mm
- 温升: 最大100℃
TEMPERATURE RISE: MEST 100 deg
- 寿命: 典型值为100万次 (连续)
LIFE : REPETITIVE OPERATION FOR 1MILLION CYCLE (CONTINUOUS)
- 噪音: 空载条件下, 噪音小于60dB
NOISE: EMPYT LOAD, THE NOISE IS LOWER THAN 60 dB
- 频率: 50/60Hz
FREQUENCY: 50/60Hz

COIL DATA线圈资料

Duty cycle (%) = $\frac{\text{"ON" time}}{\text{"ON" time} + \text{"OFF" time}} \times 100\%$			连续 Continuous	间断 Intermittent		
工作周期 (%) = $\frac{\text{工作时间}}{\text{工作时间} + \text{断开时间}} \times 100\%$			100%	50%	25%	10%
MAX. "on" time in seconds 最大工作时间 (秒)						
温控器控制温度 (° C)			120° C			
频率 (Hz)			50			
Type no.	Resistance (20°C) Ω ± 10%	No. Turns	VoltS DC 电压			
型号	阻值 (Ω) ± 10%	线圈匝数				
ZHM-1640S	12.5	1050	110			
	25	1640	220			
	50	2100	220			

ZHM