

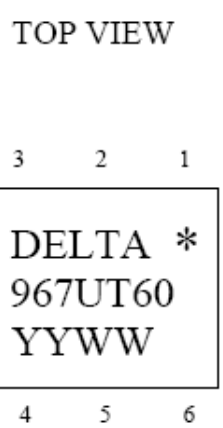
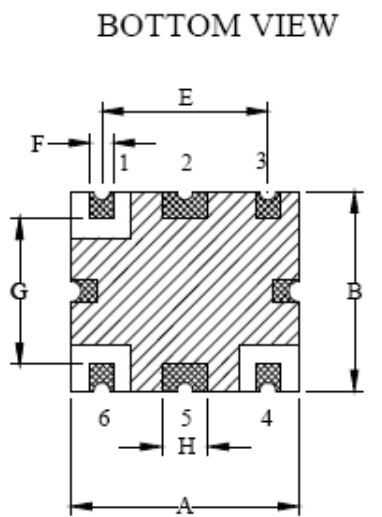
FEATURE:

- Frequency Range : 2942 MHz ~ 3142 MHz
- SIZE: 5.5×4.8×1.85 mm ;
- ROHS ;

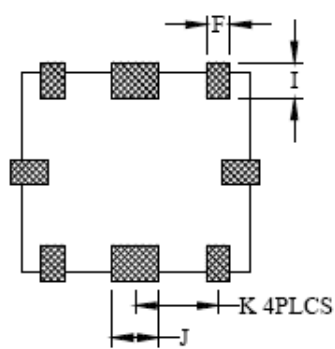
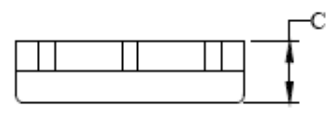
ELECTRICAL SPECIFICATION

Frequency Range		2942 MHz ~ 3142 MHz
Tuning voltage	V _{DC}	0.7 ~ 3.2
Tuning Sensitivity	MHz/V	105 ± 25
Phase Noise	dBc/Hz @offset	≤ -85 @ 10KHz ; ≤ -105 @ 100KHz
Output Power	dBm	-2 ± 3
Pushing	MHz	± 2.0
Pulling (1.67:1 VSWR)	MHz	± 5.0
Supply Voltage	V _{DC}	5.0 ± 0.1
Supply Current	mA	20
Harmonic 2nd	dBc	-10
Input Capacitance	pF	47
Operating Temperature	°C	-40°C ~ +85°C

OUTLINE DRAWING (mm)



PIN OUT FOR VCO	
	PIN
OUT	1 (*)
V _t	4
VCC	6
GND	2,3,5



SYMBOL	DIMENSION	
	MILLIMETERS	
A	5.5±0.2	
B	4.8±0.2	
C	1.8MAX	
E	4.0±0.1	
F	0.7±0.1	
G	3.2±0.1	
H	1.4±0.2	
I	1.1±0.1	
J	1.4±0.1	
K	2.0±0.1	

SIDE VIEW

RECOMMENDED LAND PATTERN (TOP VIEW)