

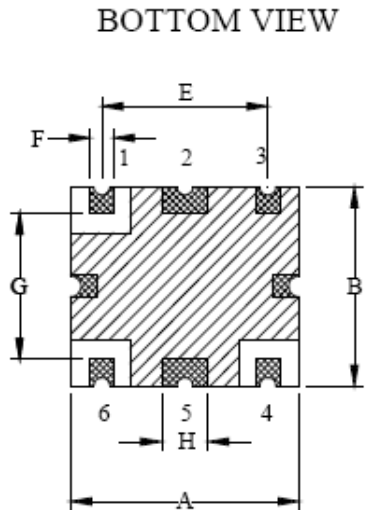
FEATURE:

- Frequency Range : 4860 MHz ~ 5090 MHz
- SIZE: 5.5×4.8×1.85 mm ;
- ROHS ;

ELECTRICAL SPECIFICATION

Frequency Range		4860 MHz ~ 5090 MHz
Tuning voltage	V _{DC}	0.5 ~ 4.5
Tuning Sensitivity	MHz/V	----
Phase Noise	dBc/Hz @offset	≤-85 @ 10KHz ; ≤-105 @ 100KHz
Output Power	dBm	3.5±3.5
Pushing	MHz	±10
Pulling (1.67:1 VSWR)	MHz	±10
Supply Voltage	V _{DC}	5.0±0.1
Supply Current	mA	30
Harmonic 2nd	dBc	-10
Input Capacitance	pF	47
Operating Temperature	°C	-40°C ~ +85°C

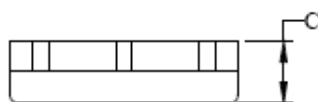
OUTLINE DRAWING (mm)



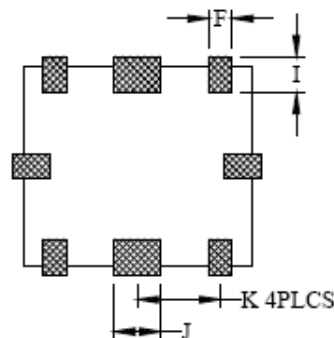
TOP VIEW



PIN OUT FOR VCO	
	PIN
OUT	1 (*)
V _t	4
VCC	6
GND	2,3,5



SIDE VIEW



RECOMMENDED LAND PATTERN (TOP VIEW)

SYMBOL	DIMENSION
	MILLIMETERS
A	5.5±0.2
B	4.8±0.2
C	1.8MAX
E	4.0±0.1
F	0.7±0.1
G	3.2±0.1
H	1.4±0.2
I	1.1±0.1
J	1.4±0.1
K	2.0±0.1