



**Product Name: Ceiling Fan Remote Control with Rectangle RF Receiver**

**Product Model: AS-CF239N**



**Make your life easy, make your home cozy**

**▶ Features:**

Transmitter and receiver at 433.92MHz;

Rectangle receiver that can be installed into the canopy easily;

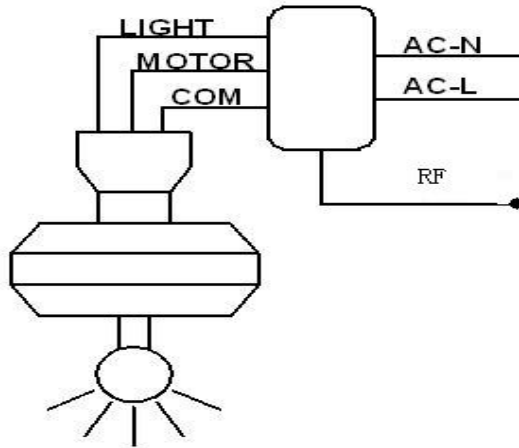
White transmitter that has 5 control keys: one for turning on/off the lights, one for turning on/off the fan, and the other three for controlling the fan speed.

- 3 speed control keys: HI, MID, and LOW;
- Both the transmitter and receiver have 4 dip switches. They must have the exact same dip switch setting to work together.

**▶ Specifications:**

|                       |                     |                       |                       |
|-----------------------|---------------------|-----------------------|-----------------------|
| Voltage               | 220~240V(50Hz/60Hz) | Operating temperature | 0°C ~ 55°C            |
| Light load            | 600W(maximum)       | Relative humidity     | Non-condensing 20-90% |
| Motor load            | 100W(maximum)       | Working distance      | RF≥10m                |
| Receiver dimension    | 120*53*23mm         | Receiver weight       | 91g                   |
| Transmitter dimension | 138*49*23mm         | Transmitter weight    | 55g                   |

▶ **Wiring Diagram:**



**How to Order:**

Please contact: Shenzhen Asia Bright Industry Co., Ltd

Address: Building 10, Asia Industrial Park, Gangtou, Bantian, Shenzhen, China

Tel: +86-755-89602172/89748211, Fax: +86-755-89748778/89748226

Email: sales@a-brt.com