



Product Name: LCD Ceiling Fan Remote Control with T-Shape RF Receiver

Product Model: AS-CF229L



Make your life easy, make your home cozy

▶ Features:

Transmitter and receiver use infrared technology

T-Shape receiver that can be installed into the canopy easily.

White transmitter has an LCD display that shows the current status

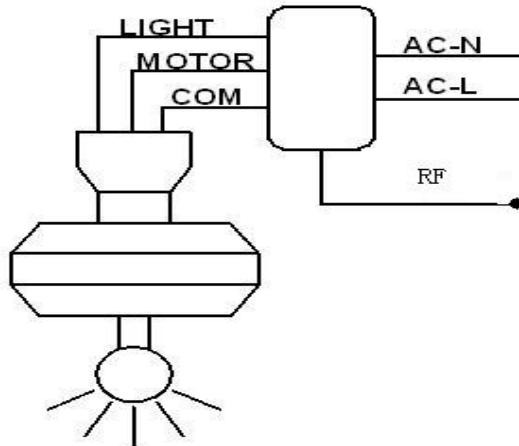
6 functional control keys: one for turning on/off the fan, three for controlling the fan speed, one for turning on/off the lights, and another “Timer” key for timed operation

- The fan speed can be set at HI, MID, and LOW using 3 speed control keys, and the LCD display will show“ ”indicator rotating at HI, MID, and LOW respectively.
- Pressing Light ON/OFF key will turn on/off the lights, and the LCD display will show corresponding “/”indicator.
- The fan can be timed using “Timer” key with a delay of 1, 2, 4, and 8 hours (or other custom settings), and the LCD display will show countdown time.
- No blind spot within 360 degrees.

▶ Specifications:

Voltage	220~240V(50Hz/60Hz)	Operating temperature	0℃~55℃
Light load	600W(maximum)	Relative humidity	Non-condensing 20-90%
Motor load	100W(maximum)	Working distance	RF≥5m (360°)
Receiver dimension	110*60*21mm	Receiver weight	94g
Transmitter dimension	100*45*12mm	Transmitter weight	44g

▶ **Wiring Diagram:**



How to Order:

Please contact: Shenzhen Asia Bright Industry Co., Ltd
Address: Building 10, Asia Industrial Park, Gangtou, Bantian, Shenzhen, China
Tel: +86-755-89602172/89748211, Fax: +86-755-89748778/89748226
Email: sales@a-brt.com