



Product Name: Ceiling Fan Remote Control with T-Shape RF Receiver

Product Model: AS-CF229N



Make your life easy, make your home cozy

▶ Features:

Transmitter and receiver at 433.92MHz;

Rectangle receiver that can be installed into the canopy easily;

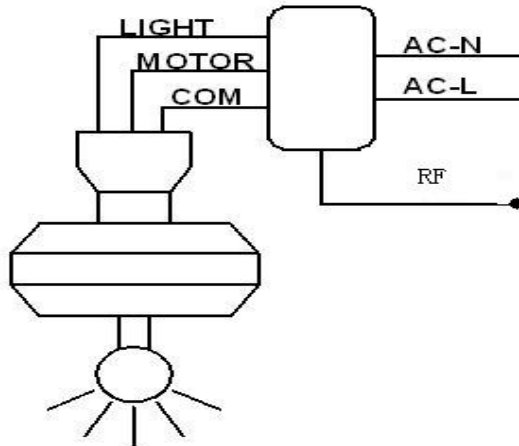
White transmitter that has 5 control keys: one for turning on/off the lights, one for turning on/off the fan, and the other three for controlling the fan speed.

- 3 speed control keys: HI, MID, and LOW;
- Both the transmitter and receiver have 4 dip switches. They must have the exact same dip switch setting to work together.

▶ Specifications:

| | | | |
|-----------------------|---------------------|-----------------------|-----------------------|
| Voltage | 220~240V(50Hz/60Hz) | Operating temperature | 0°C ~ 55°C |
| Light load | 600W(maximum) | Relative humidity | Non-condensing 20-90% |
| Motor load | 100W(maximum) | Working distance | RF≥10m |
| Receiver dimension | 110*60*21mm | Receiver weight | 91g |
| Transmitter dimension | 138*49*23mm | Transmitter weight | 55g |

▶ **Wiring Diagram:**



How to Order:

Please contact: Shenzhen Asia Bright Industry Co., Ltd

Address: Building 10, Asia Industrial Park, Gangtou, Bantian, Shenzhen, China

Tel: +86-755-89602172/89748211, Fax: +86-755-89748778/89748226

Email: sales@a-brt.com