

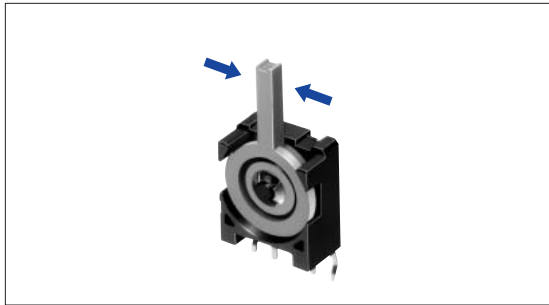
Detector Switch

Two-way Detection Type

SSCF Series



Detection in both right/left directions has improved in flexibility in set mechanism design.



Features

- Long ON travel (single side: about 27°) offers broader design flexibility around the set mechanism.
- Both printed wiring and lead wiring possible.
- Can be mounted on a panel with screws.

Applications

- For detecting trays in DVD players, CD-ROM drives, photo copiers, and VCRs
- For detection mechanisms in sewing machines

Detector

Push

Slide

Rotary

Encoders

Power

Dual-in-line
Package Type

Multi Control
Devices

TACT Switch™

Custom-
Products

Typical Specifications

Items		Specifications
Rating (max.)/(min.) (Resistive load)		0.1A 12V DC/50μA 3V DC
Contact resistance (Initial performance/After lifetime)		100mΩ max./300mΩ max.
Operating force		0.7N max.
Operating life	Without load	50,000 cycles
	With load	50,000 cycles (0.1A 12V DC)

Products Line

Poles	Positions	Changeover timing	Terminal style	Mounting method	Products No.	Drawing No.
1	2	Non shorting	For PC board	PC board	SSCF110100	1
				Screw	SSCF210100	2
			Lead		SSCF210300	4
			For PC board	PC board with hook	SSCF310100	3

Note

Additional switches not included in the above list are also available. Contact us for details.

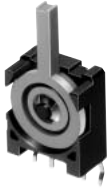
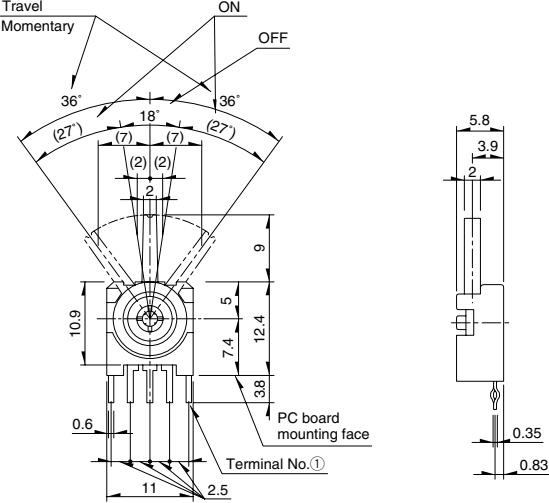
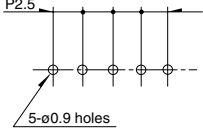

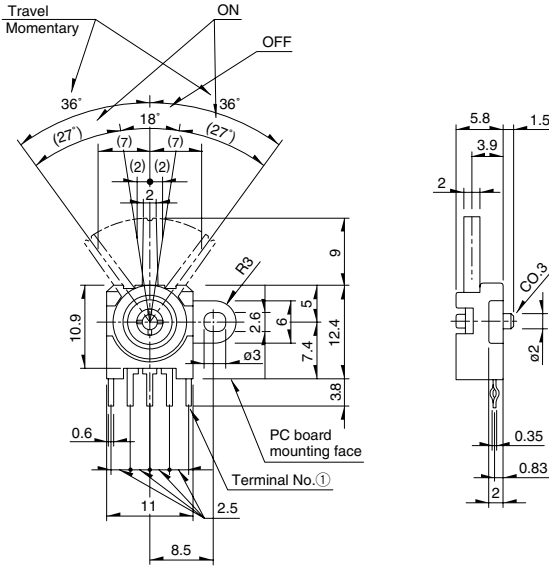
For other specifications, see P.70

Detector Switch

Two-way Detection Type | SSCF Series

Dimensions

Unit:mm

No.	Photo	Style	PC board mounting hole dimensions
1			
2			

- Detector
- Push
- Slide
- Rotary
- Encoders
- Power
- Dual-in-line Package Type
- Multi Control Devices
- TACT Switch™
- Custom-Products

Detector

Push

Slide

Rotary

Encoders

Power

Dual-in-line
Package Type


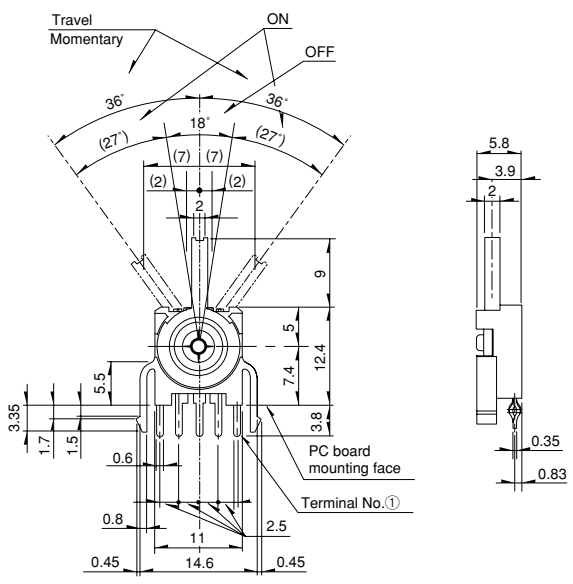
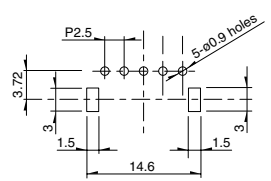

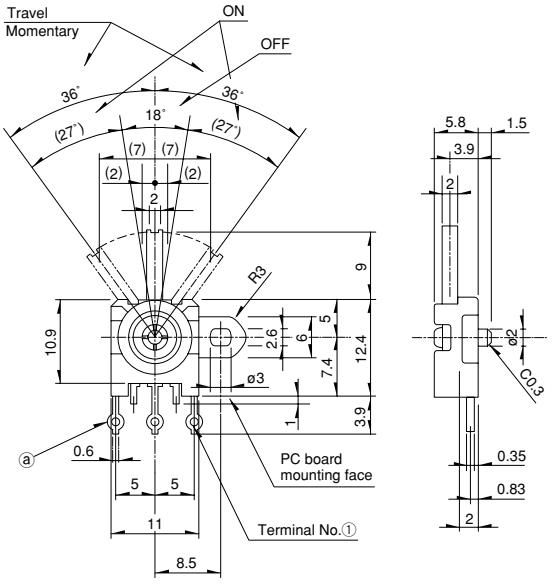
Multi Control
Devices

TACT Switch™

Custom-
Products

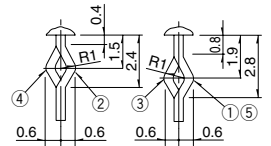
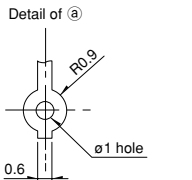
■ Dimensions

Unit:mm

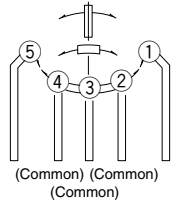
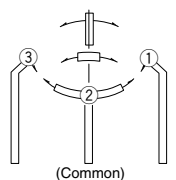
No.	Photo	Style	PC board mounting hole dimensions
3	<p>For PC board (With hook)</p> 		<p>Thickness of board in use : t1.6 only</p> 
4	<p>Lead (Screw mounting)</p> 		

■ Terminal Style

Unit:mm

<p>For PC board</p>  <p>Thickness of board in use : t1.2 , t1.6</p>	<p>Lead</p> <p>Detail of ⑥</p> 
---	---

■ Circuit Diagram

<p>For PC board</p> 	<p>Lead</p> 
---	--

Products Specifications

Items		Series										
		SPPB	SPVE	SPPW8	SPVM	SPVR	SPVF	SSCU	SSCT	SSCF	SSCM	
Operating temperature range		-10°C to +60°C										
Rating (max.) (Resistive load)		0.1A 30V DC			1mA 5V DC			0.1A 12V DC			1mA 5V DC	
Electrical performance	Initial contact resistance	1 Ω max.	500mΩ max.	1 Ω max.	2 Ω max.	3 Ω max.	500mΩ max.	70mΩ max.	20mΩ max.	100mΩ max.	2 Ω max.	
	Insulation resistance	100MΩ min. 100V DC					100MΩ min. 250V DC		100MΩ min. 100V DC			
	Voltage proof	100V AC for 1 min.					250V AC for 1 min.		100V AC for 1 min.			
Mechanical performance	Robustness of terminal	3N for 1 min.	0.5N for 1 min.	3N for 1 min.	1N for 1 min.	0.5N for 1 min.	3N for 30 s	3N for 1 min.		5N for 1 min.	0.5N for 1 min.	
	Robustness of actuator	10N	5N	10N	5N	2N	1N	5N	10N		0.5N	
	Vibration	10 to 55 to 10Hz/min., the amplitude is 1.5mm for all the frequencies, in the 3 direction of X, Y and Z for 2 hours respectively										
	Resistance to soldering heat	Manual soldering	300±5°C, 5s max.	350±5°C, 3s max.				300±10°C, 3 ⁺¹ ₋₀ s	350±5°C, 3s max.	350±10°C, 3 ⁺¹ ₋₀ s	350±5°C, 3s max.	
		Dip soldering	260±5°C, 5±1s	—	255±5°C, 5±1s	—		245±5°C, 5±1s max.	—	260±5°C, 5±1s		—
Reflow soldering		Please see P.72					—				Please see P.72	
Durability	Operating life without load	50,000 cycles 2 Ω max.	50,000 cycles 1 Ω max.	100,000 cycles 2 Ω max.	50,000 cycles 5 Ω max.	100,000 cycles 1 Ω max.	10,000 cycles 100mΩ max.	10,000 cycles 40mΩ max.	50,000 cycles 200mΩ max.	50,000 cycles 5 Ω max.		
	Operating life with load	(0.1A 30V DC) 50,000 cycles 2 Ω max.	(0.1A 30V DC) 50,000 cycles 1 Ω max.	(0.1A 30V DC) 100,000 cycles 2 Ω max.	(1mA 5V DC) 50,000 cycles 5 Ω max.	(1mA 5V DC) 100,000 cycles 1 Ω max.	(0.1A 12V DC) 10,000 cycles 150mΩ max.	(0.1A 12V DC) 10,000 cycles 60mΩ max.	(0.1A 12V DC) 50,000 cycles 300mΩ max.	(1mA 5V DC) 50,000 cycles 5 Ω max.		
Environmental performance	Cold	-20±2°C for 96h					-40±2°C for 96h	-20±2°C for 96h				
	Dry heat	85±2°C for 96h										
	Damp heat	40±2°C, 90 to 95%RH for 96h										

Detector

Push

Slide

Rotary

Encoders

Power

Dual-in-line Package Type

Multi Control Devices

TACT Switch™

Custom-Products