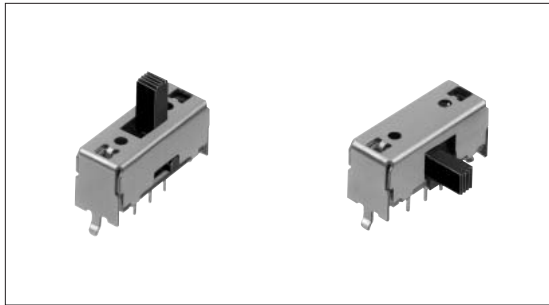


Slide Switch 8.5(H)mm, 3mm-travel Type

SSSU Series



Large general type available with various knobs.



Features

- 3mm-travel.
- All varieties are non-shorting types.

Applications

- Changeover for AV equipment, such as speaker systems, portable audio, and antenna peripherals
- Switch externals of electronic equipment such as fixed-line telephones, vending machines, musical instruments, measuring instruments, consumer electronics, and game machines

Typical Specifications

Items		Specifications
Rating (max.) / (min.) (Resistive load)		0.1A 30V DC/50 μ A 3V DC
Contact resistance (Initial performance/After lifetime)		25m Ω max./65m Ω max.
Operating force		Refer to the dimensions.
Operating life	Without load	10,000 cycles
	With load	10,000 cycles (0.1A 30V DC)

Products Line

Travel (mm)	Operating section directions	Length of operating section (mm)	Poles	Positions	Mounting method	Changeover timing	Soldering	Minimum packing unit (pcs.)	Products No.	Drawing No.	
3	Vertical	6	1	2	Snap-in (t1.6)	Non shorting	Manual, dip	100	SSSU011700	1	
				9					SSSU012200		
		6		3					SSSU014800	2	
									9		SSSU015100
		6		2					2	SSSU022400	3
									9	SSSU022800	
			6						3	SSSU025800	
		9	4	2					SSSU026300	4	
				6					SSSU041700		
	9			SSSU042100							
	Horizontal	6	1	3					SSSU111400	6	
				2					SSSU113200		
		9	2	2					SSSU121700	8	
				3					SSSU122200		
		9	3	3					SSSU124900	9	
				3					SSSU124900		

Note

Additional switches not included in the above list are also available. Contact us for details.

For other specifications, see P.149

Detector

Push

Slide

Rotary

Encoders

Power

Dual-in-line
Package Type

Multi Control
Devices

TACT Switch™

Custom-
Products

Small size
General Use type

Big size
General Use type

Other Use type

Slide Switch

8.5(H)mm, 3mm-travel Type | SSSU Series

Dimensions

Vertical Operating Section Type

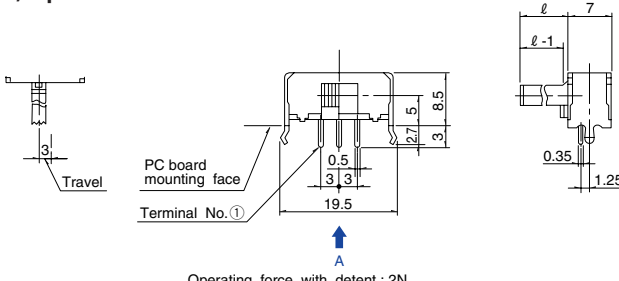
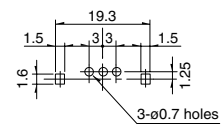
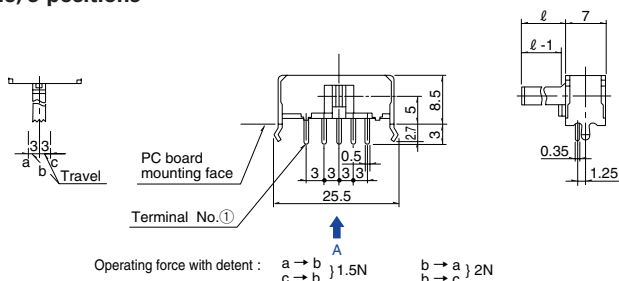
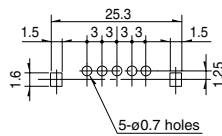
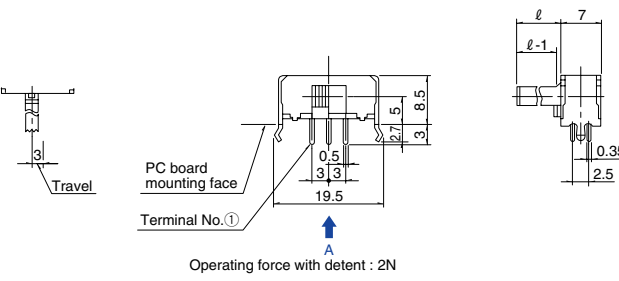
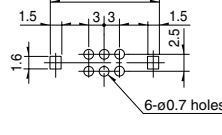
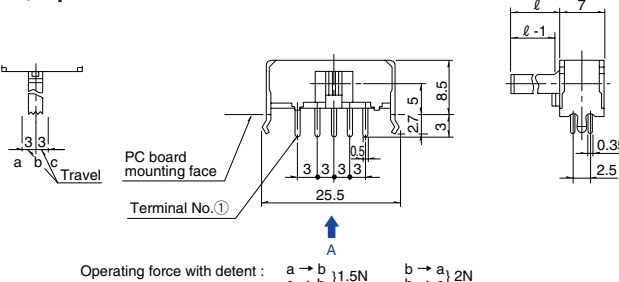
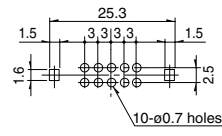
Unit:mm

No.	Style	PC board mounting hole dimensions (Viewed from the direction A)
1	<p>1-pole, 2-positions</p> <p>Operating force with detent : 2N</p>	<p>3-ø0.7 holes</p>
2	<p>1-pole, 3-positions</p> <p>Operating force with detent : a -> b } 1.5N b -> a } 2N c -> b } 1.5N</p>	<p>5-ø0.7 holes</p>
3	<p>2-poles, 2-positions</p> <p>Operating force with detent : 2N</p>	<p>6-ø0.7 holes</p>
4	<p>2-poles, 3-positions</p> <p>Operating force with detent : a -> b } 1.5N b -> a } 2N c -> b } 1.5N</p>	<p>10-ø0.7 holes</p>
5	<p>4-poles, 2-positions</p> <p>Operating force with detent : 2N</p>	<p>12-ø0.7 holes</p>

Dimensions

Horizontal Operating Section Type

Unit:mm

No.	Style	PC board mounting hole dimensions (Viewed from the direction A)
6	<p>1-pole, 2-positions</p>  <p>PC board mounting face</p> <p>Terminal No.①</p> <p>Operating force with detent : 2N</p>	 <p>3-ø0.7 holes</p>
7	<p>1-pole, 3-positions</p>  <p>PC board mounting face</p> <p>Terminal No.①</p> <p>Operating force with detent : $\begin{matrix} a \rightarrow b \\ c \rightarrow b \end{matrix} \} 1.5N$ $\begin{matrix} b \rightarrow a \\ b \rightarrow c \end{matrix} \} 2N$</p>	 <p>5-ø0.7 holes</p>
8	<p>2-poles, 2-positions</p>  <p>PC board mounting face</p> <p>Terminal No.①</p> <p>Operating force with detent : 2N</p>	 <p>6-ø0.7 holes</p>
9	<p>2-poles, 3-positions</p>  <p>PC board mounting face</p> <p>Terminal No.①</p> <p>Operating force with detent : $\begin{matrix} a \rightarrow b \\ c \rightarrow b \end{matrix} \} 1.5N$ $\begin{matrix} b \rightarrow a \\ b \rightarrow c \end{matrix} \} 2N$</p>	 <p>10-ø0.7 holes</p>

Detector

Push

Slide

Rotary

Encoders

Power

Dual-in-line
Package Type

Multi Control
Devices

TACT Switch™

Custom-
Products

Small size
General Use type

Big size
General Use type

Other Use type

Detector

Push

Slide

Rotary

Encoders

Power

Dual-in-line
Package Type

Multi Control
Devices

TACT Switch™

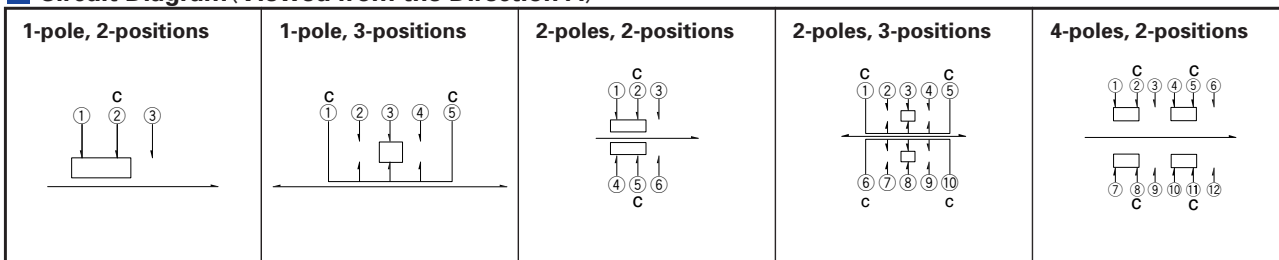
Custom-
Products

Small size
General Use type

Big size
General Use type

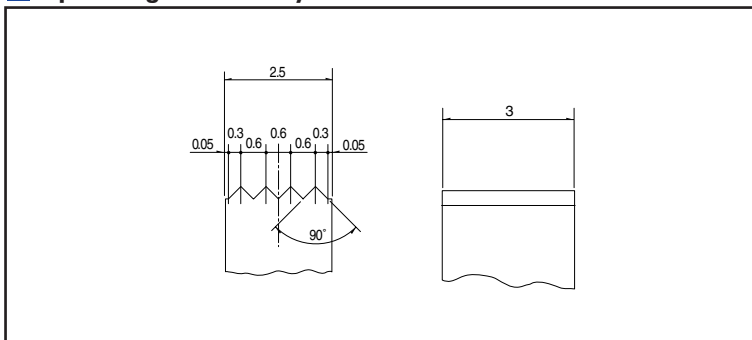
Other Use type

Circuit Diagram (Viewed from the Direction A)



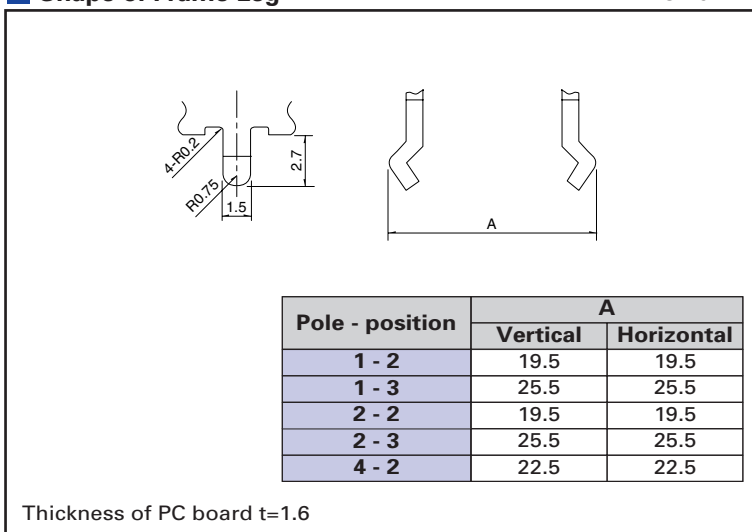
Operating Section Style

Unit:mm



Shape of Frame Leg

Unit:mm



Products Specifications

Items		Series	SSAD	SSSS8	SSSS7	SSSS2	SSSS9	SSSF	SSSU	
		Operating temperature range		-10°C to +60°C						
Rating (max.) (Resistive load)		1mA 5V DC	0.3A 4V DC		0.3A 6V DC		0.1A 12V DC	0.1A 30V DC		
Electrical performance	Initial contact resistance	100mΩ max.	70mΩ max.			30mΩ max.		25mΩ max.		
	Insulation resistance	100MΩ min. 100V DC			100MΩ min. 500V DC					
	Voltage proof	100V AC for 1 min.			500V AC for 1 min.					
Mechanical performance	Robustness of terminal	3N for 1 min.					5N for 1 min.			
	Robustness of actuator	Operating direction	5N	10N		20N	30N			
		Pulling direction	5N	10N Static force			10N	30N Static force		
	Vibration		10 to 55 to 10Hz/min., the amplitude is 1.5mm for all the frequencies, in the 3 direction of X, Y and Z for 2 hours respectively							
	Resistance to soldering heat	Manual soldering	300±5°C 5s max.		260±5°C 3s max.	350±10°C 4s max.	300±10°C 5s max.	350±10°C 5s max.	350±10°C 3 ⁺¹ ₀ s	
		Dip soldering	—			260±5°C 5 ₋₁ s			260±5°C 10±1s	
Reflow soldering		Please see P.161					—			
Durability	Operating life without load	※ 10,000 cycles 100mΩ max.				10,000 cycles 60mΩ max.		10,000 cycles 45mΩ max.		
	Operating life with load Load : As rating	10,000 cycles 200mΩ max.	※ 10,000 cycles 130mΩ max.			10,000 cycles 80mΩ max.		10,000 cycles 65mΩ max.		
Environmental performance	Cold	-20±2°C for 96h								
	Dry heat	85±2°C for 96h								
	Damp heat	40±2°C, 90 to 95%RH for 96h								

Detector

Push

Slide

Rotary

Encoders

Power

Dual-in-line
Package TypeMulti Control
Devices

TACT Switch™

Custom-
ProductsSmall size
General Use typeBig size
General Use type

Other Use type

Note

※ SSSS213202 only 100 cycles.