

<b>EPROM/ROM-Based 8-Bit Microcontroller Series</b>
---

**Devices Included in this Data Sheet:**

- FM8P53E : EPROM device
- FM8P53 : Mask ROM device

**FEATURES**

- Only 42 single word instructions
- All instructions are single cycle except for program branches which are two-cycle
- 13-bit wide instructions
- All ROM/EPROM area GOTO instruction
- All ROM/EPROM area subroutine CALL instruction
- 8-bit wide data path
- 5-level deep hardware stack
- Operating speed: DC-20 MHz clock input  
DC-100 ns instruction cycle

Device	Pins #	I/O #	EPROM/ROM (Byte)	RAM (Byte)
FM8P53/53E	14	12	1K	49

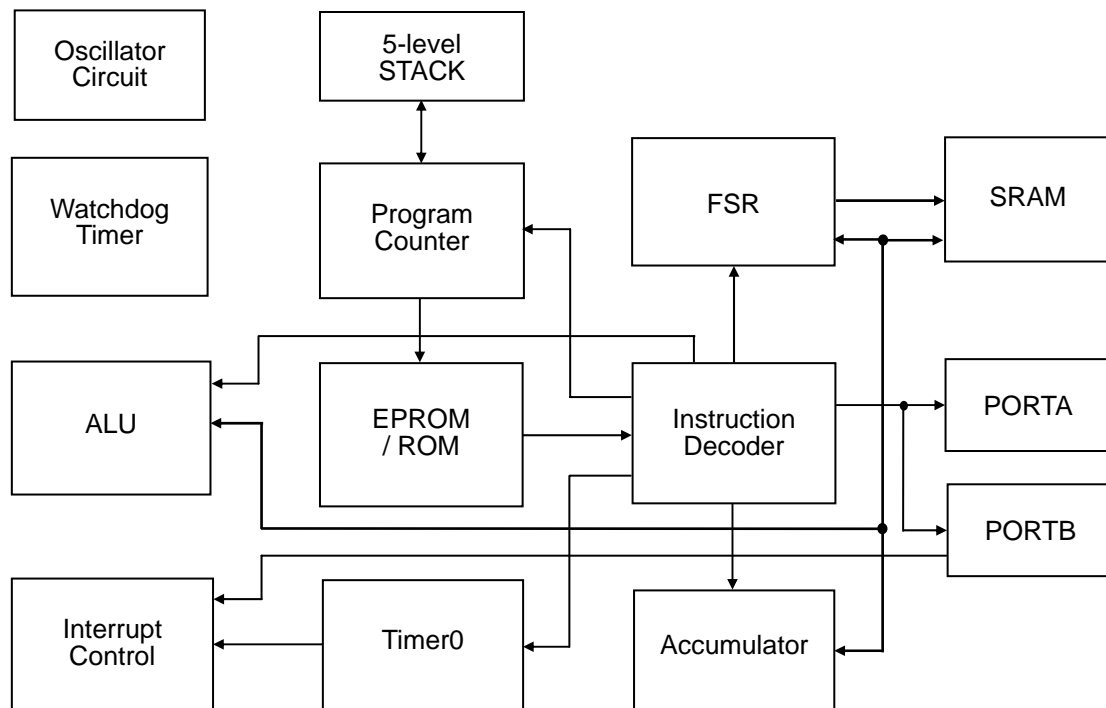
- Direct, indirect addressing modes for data accessing
- 8-bit real time clock/counter (Timer0) with 8-bit programmable prescaler
- Internal Power-on Reset (POR)
- Built-in Low Voltage Detector (LVD) for Brown-out Reset (BOR)
- Power-up Reset Timer (PWRT) and Oscillator Start-up Timer (OST)
- On chip Watchdog Timer (WDT) with internal oscillator for reliable operation and soft-ware watch-dog enable/disable control
- Two I/O ports IOA and IOB with independent direction control
- Soft-ware I/O pull-high/pull-down or open-drain control
- One internal interrupt source: Timer0 overflow; Two external interrupt source: INT pin, Port B input change
- Wake-up from SLEEP by INT pin or Port B input change
- Power saving SLEEP mode
- Built-in 8MHz, 4MHz, 1MHz, and 455KHz internal RC oscillator
- Programmable Code Protection
- Built-in internal RC oscillator
- Selectable oscillator options:
  - ERC: External Resistor/Capacitor Oscillator
  - IRC/ERIC: Internal or External Resistor/Internal Capacitor Oscillator
  - HF: High Frequency Crystal/Resonator Oscillator
  - LF: Low Frequency Crystal Oscillator
- Wide-operating voltage range:
  - EPROM : 2.3V to 5.5V
  - ROM : 2.3V to 5.5V

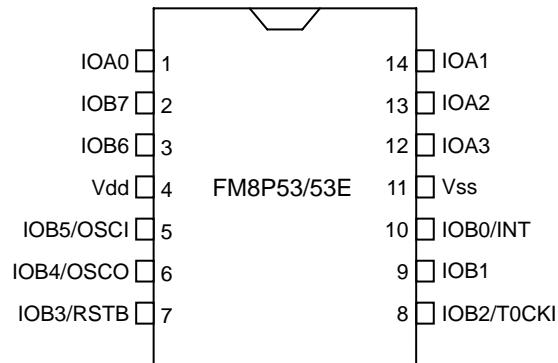
**GENERAL DESCRIPTION**

The FM8P53 series is a family of low-cost, high speed, high noise immunity, EPROM/ROM-based 8-bit CMOS microcontrollers. It employs a RISC architecture with only 42 instructions. All instructions are single cycle except for program branches which take two cycles. The easy to use and easy to remember instruction set reduces development time significantly.

The FM8P53 series consists of Power-on Reset (POR), Brown-out Reset (BOR), Power-up Reset Timer (PWRT), Oscillator Start-up Timer (OST), Watchdog Timer, EPROM/ROM, SRAM, tri-state I/O port, I/O pull-high/open-drain/pull-down control, Power saving SLEEP mode, real time programmable clock/counter, Interrupt, Wake-up from SLEEP mode, and Code Protection for EPROM products. There are two oscillator configurations to choose from, including the power-saving LP (Low Power) oscillator and cost saving RC oscillator. The FM8P53 address 1Kx13 of program memory.

The FM8P53 can directly or indirectly address its register files and data memory. All special function registers including the program counter are mapped in the data memory.

**BLOCK DIAGRAM**


**PIN CONNECTION**
**PDIP, SOP**

**PIN DESCRIPTIONS**

Name	I/O	Description
IOA0 ~ IOA3	I/O	IOA0 ~ IOA3 as bi-direction I/O pin Software controlled pull-down
IOB0/INT	I/O	Bi-direction I/O pin with system wake-up function Software controlled pull-high/open-drain/pull-down / External interrupt input
IOB1	I/O	Bi-direction I/O pin with system wake-up function Software controlled pull-high/open-drain/pull-down
IOB2/T0CKI	I/O	Bi-direction I/O pin with system wake-up function Software controlled pull-high/open-drain/pull-down / External clock input to Timer0
IOB3/RSTB	I	IOB3 is input pin only with system wake-up function / System clear (RESET) input. Active low RESET to the device. Weak pull-high always on if configured as RSTB.
IOB4/OSCO	I/O	Bi-direction I/O pin with system wake-up function (RCOUT optional in IRC/ERIC, ERC mode) Software controlled pull-high/open-drain / Oscillator crystal output (XT, LP mode) Outputs with the instruction cycle rate (RCOUT optional in IRC/ERIC, ERC mode)
IOB5/OSCI	I/O	Bi-direction I/O pin with system wake-up function (IRC mode) Software controlled pull-high/open-drain / Oscillator crystal input (XT, LP mode) External clock source input (ERIC, ERC mode)
IOB6 ~ IOB7	I/O	Bi-direction I/O pin with system wake-up function Software controlled pull-high/open-drain
Vdd	-	Positive supply
Vss	-	Ground

Legend: I=input, O=output, I/O=input/output

## 1.0 MEMORY ORGANIZATION

FM8P53 memory is organized into program memory and data memory.

### 1.1 Program Memory Organization

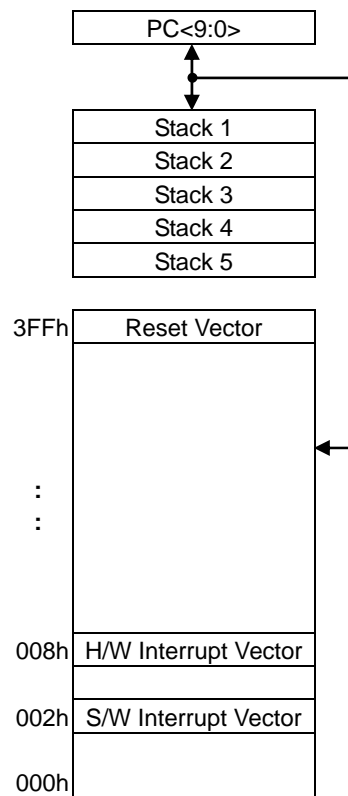
The FM8P53 have a 10-bit Program Counter capable of addressing a 1Kx13 program memory space.

The RESET vector for the FM8P53 is at 3FFh.

The H/W interrupt vector is at 008h. And the S/W interrupt vector is at 002h.

FM8P53 supports all ROM/EPROM area CALL/GOTO instructions without page.

**FIGURE 1.1: Program Memory Map and STACK**



FM8P53/53E

### 1.2 Data Memory Organization

Data memory is composed of Special Function Registers and General Purpose Registers.

The General Purpose Registers are accessed either directly or indirectly through the FSR register.

The Special Function Registers are registers used by the CPU and peripheral functions to control the operation of the device.

**TABLE 1.1: Registers File Map for FM8P53 Series**

Address	Description
00h	INDF
01h	TMR0
02h	PCL
03h	STATUS
04h	FSR
05h	PORTA
06h	PORTB
07h	General Purpose Register
08h	PCON
09h	WUCON
0Ah	PCHBUF
0Bh	PDCON
0Ch	ODCON
0Dh	PHCON
0Eh	INTEN
0Fh	INTFLAG
10h ~ 3Fh	General Purpose Registers

N/A 

OPTION
--------

05h 

IOSTA
-------

06h 

IOSTB
-------

**TABLE 1.2: The Registers Controlled by OPTION or IOST Instructions**

Address	Name	B7	B6	B5	B4	B3	B2	B1	B0
N/A (w)	OPTION	*	INTEDG	T0CS	T0SE	PSA	PS2	PS1	PS0
05h (w)	IOSTA	Port A I/O Control Register							
06h (w)	IOSTB	Port B I/O Control Register							

**TABLE 1.3: Operational Registers Map**

Address	Name	B7	B6	B5	B4	B3	B2	B1	B0
00h (r/w)	INDF	Uses contents of FSR to address data memory (not a physical register)							
01h (r/w)	TMR0	8-bit real-time clock/counter							
02h (r/w)	PCL	Low order 8 bits of PC							
03h (r/w)	STATUS	RST	GP1	GP0	TO	PD	Z	DC	C
04h (r/w)	FSR	*	*	Indirect data memory address pointer					
05h (r/w)	PORTA					IOA3	IOA2	IOA1	IOA0
06h (r/w)	PORTB	IOB7	IOB6	IOB5	IOB4	IOB3	IOB2	IOB1	IOB0
07h (r/w)	SRAM	General Purpose Register							
08h (r/w)	PCON	WDTE	EIS	LVDTE	*	*	*	*	*
09h (r/w)	WUCON	WUB7	WUB6	WUB5	WUB4	WUB3	WUB2	WUB1	WUB0
0Ah (r/w)	PCHBUF	-	-	-	-	-	-	2 MSBs Buffer of PC	
0Bh (r/w)	PDCON		/PDB2	/PDB1	/PDB0	/PDA3	/PDA2	/PDA1	/PDA0
0Ch (r/w)	ODCON	ODB7	ODB6	ODB5	ODB4		ODB2	ODB1	ODB0
0Dh (r/w)	PHCON	/PHB7	/PHB6	/PHB5	/PHB4		/PHB2	/PHB1	/PHB0
0Eh (r/w)	INTEN	GIE	*	*	*	*	INTIE	PBIE	T0IE
0Fh (r/w)	INTFLAG	-	-	-	-	-	INTIF	PBIF	T0IF

Legend: - = unimplemented, read as '0', \* = unimplemented, read as '1',

## 2.0 FUNCTIONAL DESCRIPTIONS

### 2.1 Operational Registers

#### 2.1.1 INDF (Indirect Addressing Register)

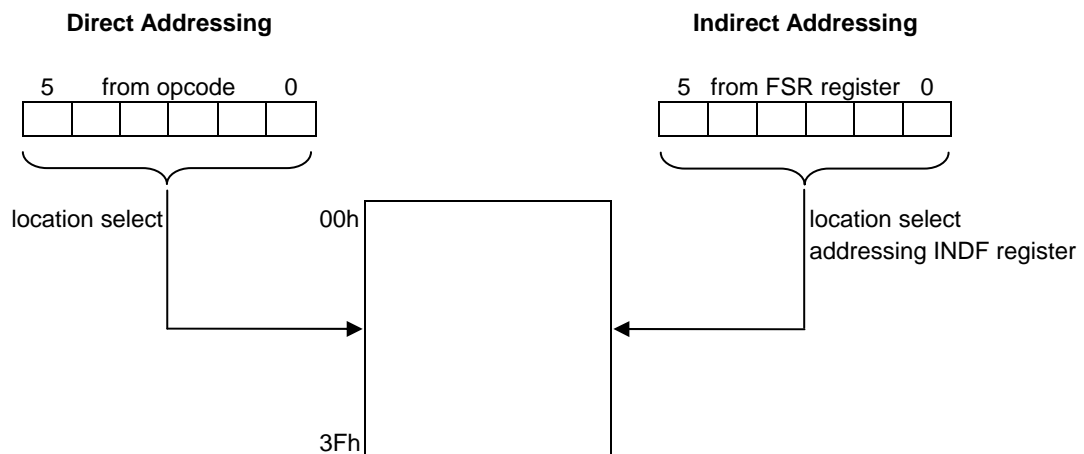
Address	Name	B7	B6	B5	B4	B3	B2	B1	B0
00h (r/w)	INDF	Uses contents of FSR to address data memory (not a physical register)							

The INDF Register is not a physical register. Any instruction accessing the INDF register can actually access the register pointed by FSR Register. Reading the INDF register itself indirectly (FSR="0") will read 00h. Writing to the INDF register indirectly results in a no-operation (although status bits may be affected). The bits 5-0 of FSR register are used to select up to 64 registers (address: 00h ~ 3Fh).

#### EXAMPLE 2.1: INDIRECT ADDRESSING

- Register file 38 contains the value 10h
- Register file 39 contains the value 0Ah
- Load the value 38 into the FSR Register
- A read of the INDF Register will return the value of 10h
- Increment the value of the FSR Register by one (@FSR=39h)
- A read of the INDR register now will return the value of 0Ah.

FIGURE 2.1: Direct/Indirect Addressing



**2.1.2 TMR0 (Time Clock/Counter register)**

Address	Name	B7	B6	B5	B4	B3	B2	B1	B0
01h (r/w)	TMR0	8-bit real-time clock/counter							

The Timer0 is a 8-bit timer/counter. The clock source of Timer0 can come from the instruction cycle clock or by an external clock source (T0CKI pin) defined by T0CS bit (OPTION<5>). If T0CKI pin is selected, the Timer0 is increased by T0CKI signal rising/falling edge (selected by T0SE bit (OPTION<4>)).

The prescaler is assigned to Timer0 by clearing the PSA bit (OPTION<3>). In this case, the prescaler will be cleared when TMR0 register is written with a value.

**2.1.3 PCL (Low Bytes of Program Counter) & Stack**

Address	Name	B7	B6	B5	B4	B3	B2	B1	B0
02h (r/w)	PCL	Low order 8 bits of PC							

FM8P53 devices have a 10-bit wide Program Counter (PC) and five-level deep 10-bit hardware push/pop stack. The low byte of PC is called the PCL register. This register is readable and writable. The high byte of PC is called the PCH register. This register contains the PC<9:8> bits and is not directly readable or writable. All updates to the PCH register go through the PCHBUF register. As a program instruction is executed, the Program Counter will contain the address of the next program instruction to be executed. The PC value is increased by one, every instruction cycle, unless an instruction changes the PC.

For a GOTO instruction, the PC<9:0> is provided by the GOTO instruction word. The PCL register is mapped to PC<7:0>, and the PCHBUF register is not updated.

For a CALL instruction, the PC<9:0> is provided by the CALL instruction word. The next PC will be loaded (PUSHed) onto the top of STACK. The PCL register is mapped to PC<7:0>, and the PCHBUF register is not updated.

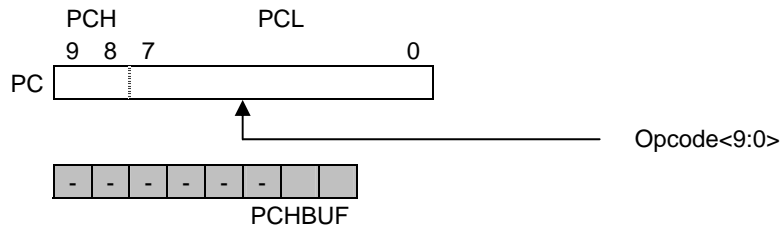
For a RETIA, RETFIE, or RETURN instruction, the PC are updated (POPed) from the top of STACK. The PCL register is mapped to PC<7:0>, and the PCHBUF register is not updated.

For any instruction where the PCL is the destination, the PC<7:0> is provided by the instruction word or ALU result. However, the PC<9:8> will come from the PCHBUF<1:0> bits (PCHBUF → PCH).

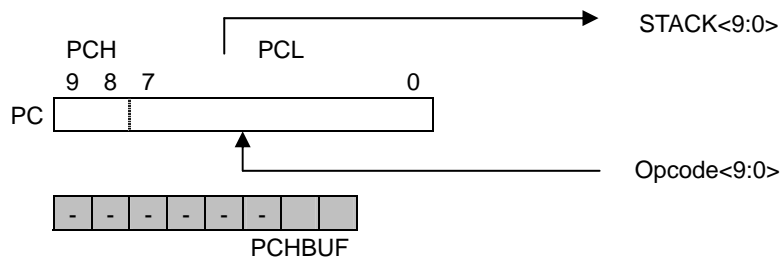
PCHBUF register is never updated with the contents of PCH.

**FIGURE 2.2: Loading of PC in Different Situations**

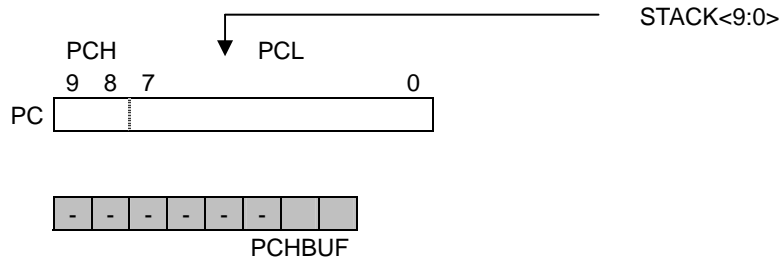
Situation 1: GOTO Instruction



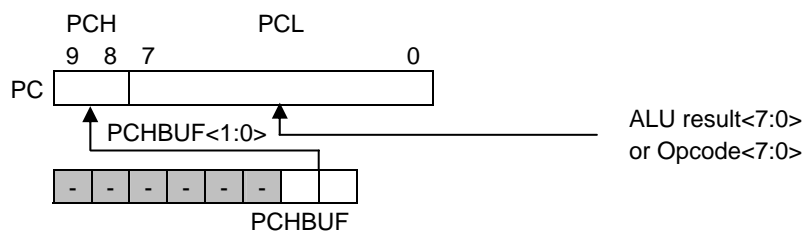
Situation 2: CALL Instruction



Situation 3: RETIA, RETFIE, or RETURN Instruction



Situation 4: Instruction with PCL as destination



Note: 1. PCHBUF is used only for instruction with PCL as destination for FM8P53.



**2.1.4 STATUS (Status Register)**

Address	Name	B7	B6	B5	B4	B3	B2	B1	B0
03h (r/w)	STATUS	RST	GP1	GP0	TO	PD	Z	DC	C

This register contains the arithmetic status of the ALU, the RESET status.

If the STATUS Register is the destination for an instruction that affects the Z, DC or C bits, then the write to these three bits is disabled. These bits are set or cleared according to the device logic. Furthermore, the  $\overline{TO}$  and  $\overline{PD}$  bits are not writable. Therefore, the result of an instruction with the STATUS Register as destination may be different than intended. For example, CLRR STATUS will clear the upper three bits and set the Z bit. This leaves the STATUS Register as 000u u1uu (where u = unchanged).

**C** : Carry/borrow bit.

ADDAR, ADDIA

= 1, a carry occurred.

= 0, a carry did not occur.

SUBAR, SUBIA

= 1, a borrow did not occur.

= 0, a borrow occurred.

Note : A subtraction is executed by adding the two's complement of the second operand. For rotate (RRR, RLR) instructions, this bit is loaded with either the high or low order bit of the source register.

**DC** : Half carry/half borrow bit.

ADDAR, ADDIA

= 1, a carry from the 4th low order bit of the result occurred.

= 0, a carry from the 4th low order bit of the result did not occur.

SUBAR, SUBIA

= 1, a borrow from the 4th low order bit of the result did not occur.

= 0, a borrow from the 4th low order bit of the result occurred.

**Z** : Zero bit.

= 1, the result of a logic operation is zero.

= 0, the result of a logic operation is not zero.

$\overline{PD}$  : Power down flag bit.

= 1, after power-up or by the CLRWDT instruction.

= 0, by the SLEEP instruction.

$\overline{TO}$  : Time overflow flag bit.

= 1, after power-up or by the CLRWDT or SLEEP instruction.

= 0, a watch-dog time overflow occurred.

**GP1:GP0** : General purpose read/write bits.

**RST** : Bit for wake-up type.

= 1, Wake-up from SLEEP on Port B input change.

= 0, Wake-up from other reset types.

### 2.1.5 FSR (Indirect Data Memory Address Pointer)

Address	Name	B7	B6	B5	B4	B3	B2	B1	B0
04h (r/w)	FSR	*	*	Indirect data memory address pointer					

**Bit5:Bit0** : Select registers address in the indirect addressing mode. See 2.1.1 for detail description.

**Bit7:Bit6** : Not used. Read as “1”s.

### 2.1.6 PORTA, PORTB (Port Data Registers)

Address	Name	B7	B6	B5	B4	B3	B2	B1	B0
05h (r/w)	PORTA					IOA3	IOA2	IOA1	IOA0
06h (r/w)	PORTB	IOB7	IOB6	IOB5	IOB4	IOB3	IOB2	IOB1	IOB0

Reading the port (PORTA, PORTB register) reads the status of the pins independent of the pin's input/output modes. Writing to these ports will write to the port data latch.

PORTA is a 4-bit port data Register. Only the low order 4 bits are used (PORTA<3:0>). Bits 7-4 are general purpose read/write bits.

PORTB is a 8-bit port data register. And IOB3 is input only.

### 2.1.7 PCON (Power Control Register)

Address	Name	B7	B6	B5	B4	B3	B2	B1	B0
08h (r/w)	PCON	WDTE	EIS	LVDTE	*	*	*	*	*

**Bit4:Bit0** : Not used. Read as “1”s.

**LVDTE** : LVDT (low voltage detector) enable bit.

= 0, Disable LVDT.

= 1, Enable LVDT.

**EIS** : Define the function of IOB0/INT pin.

= 0, IOB0 (bi-directional I/O pin) is selected. The path of INT is masked.

= 1, INT (external interrupt pin) is selected. In this case, the I/O control bit of IOB0 must be set to “1”. The path of Port B input change of IOB0 pin is masked by hardware, the status of INT pin can also be read by way of reading PORTB.

**WDTE** : WDT (watch-dog timer) enable bit.

= 0, Disable WDT.

= 1, Enable WDT.

### 2.1.8 WUCON (Port B Input Change Interrupt/Wake-up Control Register)

Address	Name	B7	B6	B5	B4	B3	B2	B1	B0
09h (r/w)	WUCON	WUB7	WUB6	WUB5	WUB4	WUB3	WUB2	WUB1	WUB0

**WUB0** : = 0, Disable the input change interrupt/wake-up function of IOB0 pin.

= 1, Enable the input change interrupt/wake-up function of IOB0 pin.

**WUB1** : = 0, Disable the input change interrupt/wake-up function of IOB1 pin.

= 1, Enable the input change interrupt/wake-up function of IOB1 pin.

**WUB2** : = 0, Disable the input change interrupt/wake-up function of IOB2 pin.  
 = 1, Enable the input change interrupt/wake-up function of IOB2 pin.

**WUB3** : = 0, Disable the input change interrupt/wake-up function of IOB3 pin.  
 = 1, Enable the input change interrupt/wake-up function of IOB3 pin.

**WUB4** : = 0, Disable the input change interrupt/wake-up function of IOB4 pin.  
 = 1, Enable the input change interrupt/wake-up function of IOB4 pin.

**WUB5** : = 0, Disable the input change interrupt/wake-up function of IOB5 pin.  
 = 1, Enable the input change interrupt/wake-up function of IOB5 pin.

**WUB6** : = 0, Disable the input change interrupt/wake-up function of IOB6 pin.  
 = 1, Enable the input change interrupt/wake-up function of IOB6 pin.

**WUB7** : = 0, Disable Enable the input change interrupt/wake-up function of IOB7 pin.  
 = 1, Enable the input change interrupt/wake-up function of IOB7 pin.

#### **2.1.9 PCHBUF (High Byte Buffer of Program Counter)**

Address	Name	B7	B6	B5	B4	B3	B2	B1	B0
0Ah (r/w)	PCHBUF	-	-	-	-	-	-	2 MSBs Buffer of PC	

**Bit1:Bit0** : See 2.1.3 for detail description.

**Bit7:Bit2** : Not used. Read as "0"s.

#### **2.1.10 PDCON (Pull-down Control Register)**

Address	Name	B7	B6	B5	B4	B3	B2	B1	B0
0Bh (r/w)	PDCON		/PDB2	/PDB1	/PDB0	/PDA3	/PDA2	/PDA1	/PDA0

**/PDA0** : = 0, Enable the internal pull-down of IOA0 pin.  
 = 1, Disable the internal pull-down of IOA0 pin.

**/PDA1** : = 0, Enable the internal pull-down of IOA1 pin.  
 = 1, Disable the internal pull-down of IOA1 pin.

**/PDA2** : = 0, Enable the internal pull-down of IOA2 pin.  
 = 1, Disable the internal pull-down of IOA2 pin.

**/PDA3** : = 0, Enable the internal pull-down of IOA3 pin.  
 = 1, Disable the internal pull-down of IOA3 pin.

**/PDB0** : = 0, Enable the internal pull-down of IOB0 pin.  
 = 1, Disable the internal pull-down of IOB0 pin.

**/PDB1** : = 0, Enable the internal pull-down of IOB1 pin.  
 = 1, Disable the internal pull-down of IOB1 pin.

**/PDB2** : = 0, Enable the internal pull-down of IOB2 pin.  
 = 1, Disable the internal pull-down of IOB2 pin.

**Bit7** : General purpose read/write bit.

**2.1.11 ODCON (Open-drain Control Register)**

Address	Name	B7	B6	B5	B4	B3	B2	B1	B0
0Ch (r/w)	ODCON	ODB7	ODB6	ODB5	ODB4		ODB2	ODB1	ODB0

**ODB0** : = 0, Disable the internal open-drain of IOB0 pin.  
= 1, Enable the internal open-drain of IOB0 pin.

**ODB1** : = 0, Disable the internal open-drain of IOB1 pin.  
= 1, Enable the internal open-drain of IOB1 pin.

**ODB2** : = 0, Disable the internal open-drain of IOB2 pin.  
= 1, Enable the internal open-drain of IOB2 pin.

**Bit3** : General purpose read/write bit.

**ODB4** : = 0, Disable the internal open-drain of IOB4 pin.  
= 1, Enable the internal open-drain of IOB4 pin.

**ODB5** : = 0, Disable the internal open-drain of IOB5 pin.  
= 1, Enable the internal open-drain of IOB5 pin.

**ODB6** : = 0, Disable the internal open-drain of IOB6 pin.  
= 1, Enable the internal open-drain of IOB6 pin.

**ODB7** : = 0, Disable the internal open-drain of IOB7 pin.  
= 1, Enable the internal open-drain of IOB7 pin.

**2.1.12 PHCON (Pull-high Control Register)**

Address	Name	B7	B6	B5	B4	B3	B2	B1	B0
0Dh (r/w)	PHCON	/PHB7	/PHB6	/PHB5	/PHB4		/PHB2	/PHB1	/PHB0

**/PHB0** : = 0, Enable the internal pull-high of IOB0 pin.  
= 1, Disable the internal pull-high of IOB0 pin.

**/PHB1** : = 0, Enable the internal pull-high of IOB1 pin.  
= 1, Disable the internal pull-high of IOB1 pin.

**/PHB2** : = 0, Enable the internal pull-high of IOB2 pin.  
= 1, Disable the internal pull-high of IOB2 pin.

**Bit3** : General purpose read/write bit.

**/PHB4** : = 0, Enable the internal pull-high of IOB4 pin.  
= 1, Disable the internal pull-high of IOB4 pin.

**/PHB5** : = 0, Enable the internal pull-high of IOB5 pin.  
= 1, Disable the internal pull-high of IOB5 pin.

**/PHB6** : = 0, Enable the internal pull-high of IOB6 pin.  
= 1, Disable the internal pull-high of IOB6 pin.

**/PHB7** : = 0, Enable the internal pull-high of IOB7 pin.  
 = 1, Disable the internal pull-high of IOB7 pin.

### 2.1.13 **INTEN (Interrupt Mask Register)**

Address	Name	B7	B6	B5	B4	B3	B2	B1	B0
0Eh (r/w)	INTEN	GIE	*	*	*	*	INTIE	PBIE	TOIE

**TOIE** : Timer0 overflow interrupt enable bit.  
 = 0, Disable the Timer0 overflow interrupt.  
 = 1, Enable the Timer0 overflow interrupt.

**PBIE** : Port B input change interrupt enable bit.  
 = 0, Disable the Port B input change interrupt.  
 = 1, Enable the Port B input change interrupt .

**INTIE** : External INT pin interrupt enable bit.  
 = 0, Disable the External INT pin interrupt.  
 = 1, Enable the External INT pin interrupt.

**Bit6:BIT3** : Not used. Read as "1"s.

**GIE** : Global interrupt enable bit.  
 = 0, Disable all interrupts. For wake-up from SLEEP mode through an interrupt event, the device will continue execution at the instruction after the SLEEP instruction.  
 = 1, Enable all un-masked interrupts. For wake-up from SLEEP mode through an interrupt event, the device will branch to the interrupt address (008h).  
 Note : When an interrupt event occur with the GIE bit and its corresponding interrupt enable bit are all set, the GIE bit will be cleared by hardware to disable any further interrupts. The RETFIE instruction will exit the interrupt routine and set the GIE bit to re-enable interrupt.

### 2.1.14 **INTFLAG (Interrupt Status Register)**

Address	Name	B7	B6	B5	B4	B3	B2	B1	B0
0Fh (r/w)	INTFLAG	-	-	-	-	-	INTIF	PBIF	TOIF

**TOIF** : Timer0 overflow interrupt flag. Set when Timer0 overflows, reset by software.

**PBIF** : Port B input change interrupt flag. Set when Port B input changes, reset by software.

**INTIF** : External INT pin interrupt flag. Set by rising/falling (selected by INTEDG bit (OPTION<6>)) edge on INT pin, reset by software.

**Bit7:BIT3** : Not used. Read as "0"s.

### 2.1.15 **ACC (Accumulator)**

Address	Name	B7	B6	B5	B4	B3	B2	B1	B0
N/A (r/w)	ACC	Accumulator							

Accumulator is an internal data transfer, or instruction operand holding. It can not be addressed.

**2.1.16 OPTION Register**

Address	Name	B7	B6	B5	B4	B3	B2	B1	B0
N/A (w)	OPTION	*	INTEDG	T0CS	T0SE	PSA	PS2	PS1	PS0

Accessed by OPTION instruction.

By executing the OPTION instruction, the contents of the ACC Register will be transferred to the OPTION Register. The OPTION Register is a 7-bit wide, write-only register which contains various control bits to configure the Timer0/WDT prescaler, Timer0, and the external INT interrupt.

The OPTION Register are "write-only" and are set all "1"s except INTEDG bit.

**PS2:PS0** : Prescaler rate select bits.

PS2:PS0	Timer0 Rate	WDT Rate
0 0 0	1:2	1:1
0 0 1	1:4	1:2
0 1 0	1:8	1:4
0 1 1	1:16	1:8
1 0 0	1:32	1:16
1 0 1	1:64	1:32
1 1 0	1:128	1:64
1 1 1	1:256	1:128

**PSA** : Prescaler assign bit.

= 1, WDT (watch-dog timer).

= 0, TMR0 (Timer0).

**T0SE** : TMR0 source edge select bit.

= 1, Falling edge on TOCKI pin.

= 0, Rising edge on TOCKI pin.

**T0CS** : TMR0 clock source select bit.

= 1, External TOCKI pin. Pin IOB2/TOCKI is forced to be an input even if IOST IOB2 = "0".

= 0, internal instruction clock cycle.

**INTEDG** : Interrupt edge select bit.

= 1, interrupt on rising edge of INT pin.

= 0, interrupt on falling edge of INT pin.

**Bit7** : Not used.

**2.1.17 IOSTA & IOSTB (Port I/O Control Registers)**

Address	Name	B7	B6	B5	B4	B3	B2	B1	B0
N/A (w)	IOSTA	Port A I/O Control Register							
N/A (w)	IOSTB	Port B I/O Control Register							

Accessed by IOST instruction.

The Port I/O Control Registers are loaded with the contents of the ACC Register by executing the IOST R (05h~06h) instruction. A '1' from a IOST Register bit puts the corresponding output driver in hi-impedance state (input mode). A '0' enables the output buffer and puts the contents of the output data latch on the selected pins (output mode). The IOST Registers are "write-only" and are set (output drivers disabled) upon RESET.

## 2.2 I/O Ports

Port A and port B are bi-directional tri-state I/O ports. Port A is a 4-pin I/O port. Port B is a 8-pin I/O port. Please note that IOB3 is an input only pin.

All I/O pins have data direction control registers (IOSTA, IOSTB) which can configure these pins as output or input. The exceptions are IOB3 which is input only and IOB2 which may be controlled by the T0CS bit (OPTION<5>).

IOB<7:4> and IOB<2:0> have its corresponding pull-high control bits (PHCON register) to enable the weak internal pull-high. The weak pull-high is automatically turned off when the pin is configured as an output pin.

IOA<3:0> and IOB<2:0> have its corresponding pull-down control bits (PDCON register) to enable the weak internal pull-down. The weak pull-down is automatically turned off when the pin is configured as an output pin.

IOB<7:4> and IOB<2:0> have its corresponding open-drain control bits (ODCON register) to enable the open-drain output when these pins are configured to be an output pin.

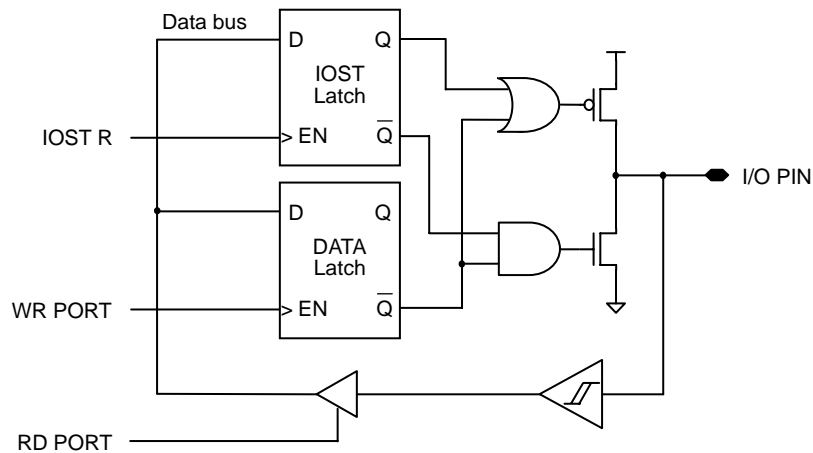
IOB<7:0> also provides the input change interrupt/wake-up function. Each pin has its corresponding input change interrupt/wake-up enable bits (WUCON) to select the input change interrupt/wake-up source.

The IOB0 is also an external interrupt input signal by setting the EIS bit (PCON<6>). In this case, IOB0 input change interrupt/wake-up function will be disabled by hardware even if it is enabled by software.

The CONFIGURATION words can set several I/Os to alternate functions. When acting as alternate functions the pins will read as "0" during port read.

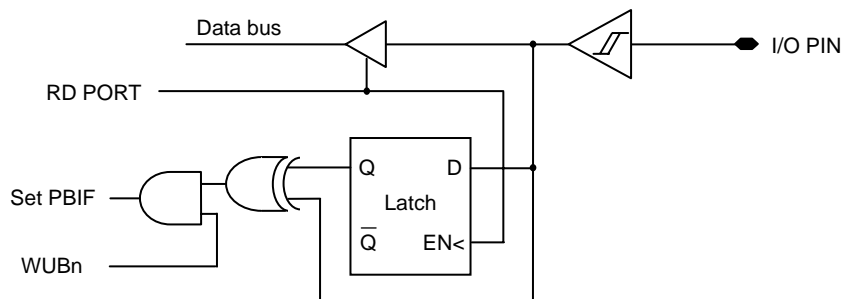
**FIGURE 2.3: Block Diagram of I/O PINS**

IOA3 ~ IOA0 :

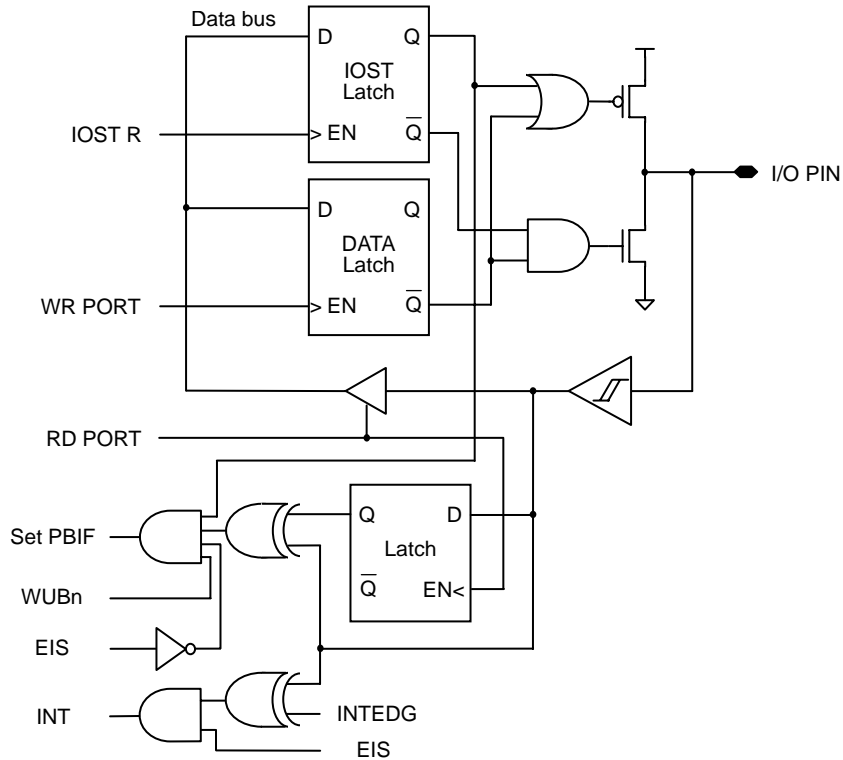


Pull-down is not shown in the figure

IOB3 :

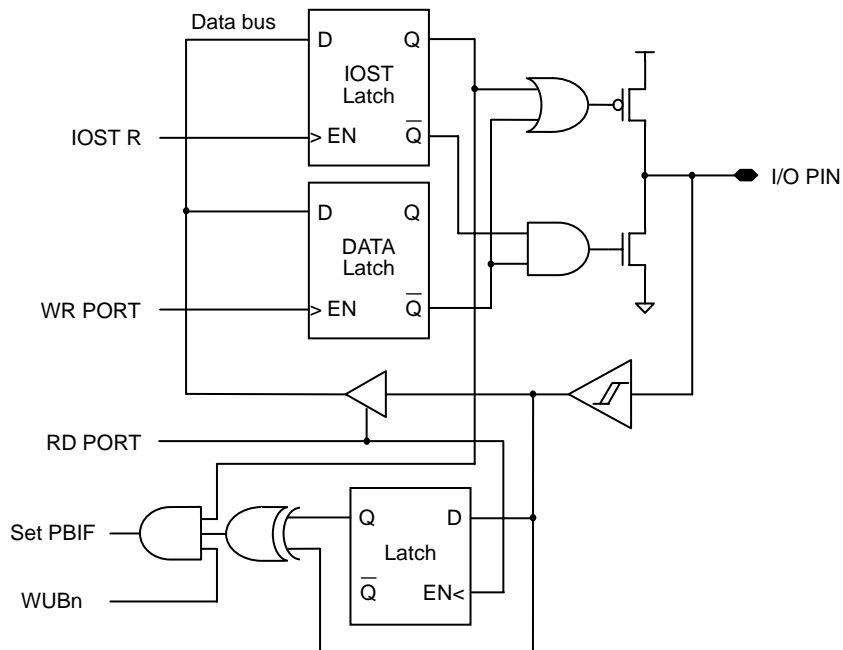


IOB0/INT :



Pull-high/pull-down and open-drain are not shown in the figure

IOB7 ~ IOB1 :



Pull-high/pull-down and open-drain are not shown in the figure



## 2.3 Timer0/WDT & Prescaler

### 2.3.1 Timer0

The Timer0 is a 8-bit timer/counter. The clock source of Timer0 can come from the internal clock or by an external clock source (T0CKI pin).

#### 2.3.1.1 Using Timer0 with an Internal Clock : Timer mode

Timer mode is selected by clearing the T0CS bit (OPTION<5>). In timer mode, the timer0 register (TMR0) will increment every instruction cycle (without prescaler). If TMR0 register is written, the increment is inhibited for the following two cycles.

#### 2.3.1.2 Using Timer0 with an External Clock : Counter mode

Counter mode is selected by setting the T0CS bit (OPTION<5>). In this mode, Timer0 will increment either on every rising or falling edge of pin T0CKI. The incrementing edge is determined by the source edge select bit T0SE (OPTION<4>).

The external clock requirement is due to internal phase clock (Tosc) synchronization. Also, there is a delay in the actual incrementing of Timer0 after synchronization.

When no prescaler is used, the external clock input is the same as the prescaler output. The synchronization of T0CKI with the internal phase clocks is accomplished by sampling the prescaler output on the T2 and T4 cycles of the internal phase clocks. Therefore, it is necessary for T0CKI to be high for at least 2 T<sub>OSC</sub> and low for at least 2 T<sub>OSC</sub>.

When a prescaler is used, the external clock input is divided by the asynchronous prescaler. For the external clock to meet the sampling requirement, the ripple counter must be taken into account. Therefore, it is necessary for T0CKI to have a period of at least 4T<sub>OSC</sub> divided by the prescaler value.

### 2.3.2 Watchdog Timer (WDT)

The Watchdog Timer (WDT) is a free running on-chip RC oscillator which does not require any external components. So the WDT will still run even if the clock on the OSC1 and OSC0 pins is turned off, such as in SLEEP mode. During normal operation or in SLEEP mode, a WDT time-out will cause the device reset and the TO bit (STATUS<4>) will be cleared.

The WDT can be disabled by clearing the control bit WDTE (PCON<7>) to "0".

The WDT has a nominal time-out period of 18 ms, 4.5ms, 288ms or 72ms selected by SUT<1:0> bits of configuration word (without prescaler). If a longer time-out period is desired, a prescaler with a division ratio of up to 1:128 can be assigned to the WDT controlled by the OPTION register. Thus, the longest time-out period is approximately 36.8 seconds.

The CLRWDT instruction clears the WDT and the prescaler, if assigned to the WDT, and prevents it from timing out and generating a device reset.

The SLEEP instruction resets the WDT and the prescaler, if assigned to the WDT. This gives the maximum SLEEP time before a WDT Wake-up Reset.

### 2.3.3 Prescaler

An 8-bit counter (down counter) is available as a prescaler for the Timer0, or as a postscaler for the Watchdog Timer (WDT). Note that the prescaler may be used by either the Timer0 module or the WDT, but not both. Thus, a prescaler assignment for the Timer0 means that there is no prescaler for the WDT, and vice-versa.

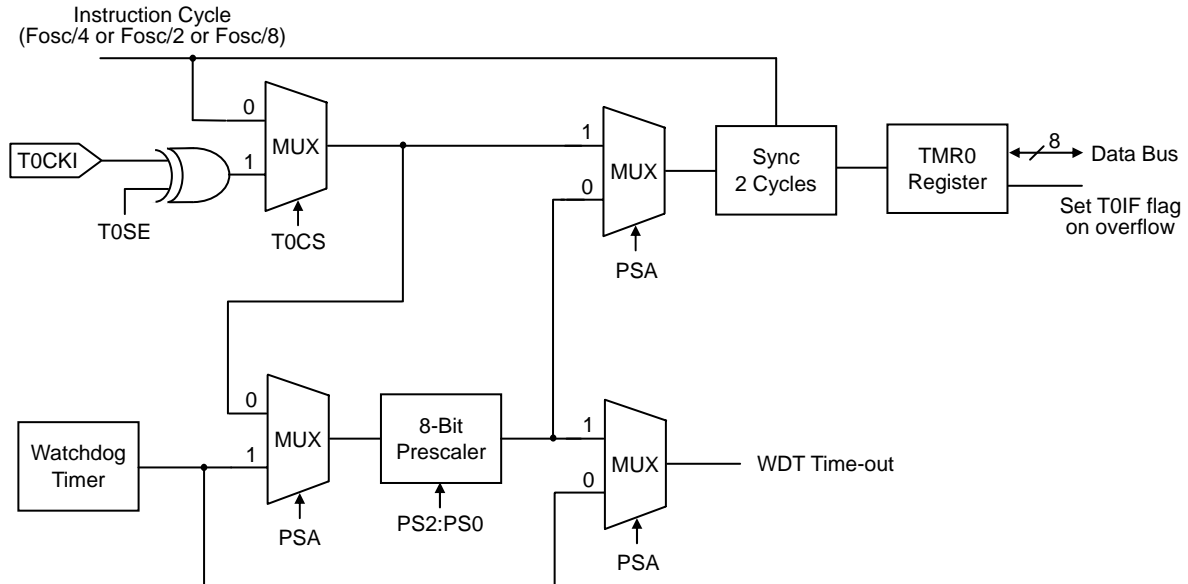
The PSA bit (OPTION<3>) determines prescaler assignment. The PS<2:0> bits (OPTION<2:0>) determine prescaler ratio.

When the prescaler is assigned to the Timer0 module, all instructions writing to the TMR0 register will clear the prescaler. When it is assigned to WDT, a CLRWDT instruction will clear the prescaler along with the WDT.

The prescaler is neither readable nor writable. On a RESET, the prescaler contains all '1's.

To avoid an unintended device reset, CLRWDT or CLRR TMR0 instructions must be executed when changing the

prescaler assignment from Timer0 to the WDT, and vice-versa.

**FIGURE 2.4: Block Diagram of The Timer0/WDT Prescaler**


## 2.4 Interrupts

The FM8P53 series has up to three sources of interrupt:

1. External interrupt INT pin.
2. TMR0 overflow interrupt.
3. Port B input change interrupt (pins IOB7:IOB0).

INTFLAG is the interrupt flag register that recodes the interrupt requests in the relative flags.

A global interrupt enable bit, GIE (INTEN<7>), enables (if set) all un-masked interrupts or disables (if cleared) all interrupts. Individual interrupts can be enabled/disabled through their corresponding enable bits in INTEN register regardless of the status of the GIE bit.

When an interrupt event occur with the GIE bit and its corresponding interrupt enable bit are all set, the GIE bit will be cleared by hardware to disable any further interrupts, and the next instruction will be fetched from address 008h. The interrupt flag bits must be cleared by software before re-enabling GIE bit to avoid recursive interrupts.

The RETFIE instruction exits the interrupt routine and set the GIE bit to re-enable interrupt.

The flag bit (except PBIF bit) in INTFLAG register is set by interrupt event regardless of the status of its mask bit.

Reading the INTFLAG register will be the logic AND of INTFLAG and INTEN.

When an interrupt is generated by the INT instruction, the next instruction will be fetched from address 002h.

### 2.4.1 External INT Interrupt

External interrupt on INT pin is rising or falling edge triggered selected by INTEDG (OPTION<6>).

When a valid edge appears on the INT pin the flag bit INTIF (INTFLAG<2>) is set. This interrupt can be disabled by clearing INTIE bit (INTEN<2>).

The INT pin interrupt can wake-up the system from SLEEP condition, if bit INTIE was set before going to SLEEP. If GIE bit was set, the program will execute interrupt service routine after wake-up; or if GIE bit was cleared, the program will execute next PC after wake-up.

### 2.4.2 Timer0 Interrupt

An overflow (FFh → 00h) in the TMR0 register will set the flag bit TOIF (INTFLAG<0>). This interrupt can be disabled by clearing TOIE bit (INTEN<0>).

### **2.4.3 Port B Input Change Interrupt**

An input change on IOB<7:0> set flag bit PBIF (INTFLAG<1>). This interrupt can be disabled by clearing PBIE bit (INTEN<1>).

Before the port B input change interrupt is enabled, reading PORTB (any instruction accessed to PORTB, including read/write instructions) is necessary. Any pin which corresponding WUBn bit (WUCON<7:0>) is cleared to "0" or configured as output or IOB0 pin configured as INT pin will be excluded from this function.

The port B input change interrupt also can wake-up the system from SLEEP condition, if bit PBIE was set before going to SLEEP. And GIE bit also decides whether or not the processor branches to the interrupt vector following wake-up. If GIE bit was set, the program will execute interrupt service routine after wake-up; or if GIE bit was cleared, the program will execute next PC after wake-up.

## **2.5 Power-down Mode (SLEEP)**

Power-down mode is entered by executing a SLEEP instruction.

When SLEEP instruction is executed, the PD bit (STATUS<3>) is cleared, the  $\overline{TO}$  bit is set, the watchdog timer will be cleared and keeps running, and the oscillator driver is turned off.

All I/O pins maintain the status they had before the SLEEP instruction was executed.

### **2.5.1 Wake-up from SLEEP Mode**

The device can wake-up from SLEEP mode through one of the following events:

1. RSTB reset.
2. WDT time-out reset (if enabled).
3. Interrupt from RBO/INT pin, or PORTB change interrupt.

External RSTB reset and WDT time-out reset will cause a device reset. The  $\overline{PD}$  and  $\overline{TO}$  bits can be used to determine the cause of device reset. The  $\overline{PD}$  bit is set on power-up and is cleared when SLEEP instruction is executed. The  $\overline{TO}$  bit is cleared if a WDT time-out occurred.

For the device to wake-up through an interrupt event, the corresponding interrupt enable bit must be set. Wake-up is regardless of the GIE bit. If GIE bit is cleared, the device will continue execution at the instruction after the SLEEP instruction. If the GIE bit is set, the device will branch to the interrupt address (008h).

In HF or LF oscillation mode, the system wake-up delay time is 18/4.5/288/72ms (selected by SUT<1:0> bits of configuration word) plus 16 oscillator cycles time.

And in IRC/ERIC or ERC oscillation mode, the system wake-up delay time is 140us.

## **2.6 Reset**

FM8P53 devices may be RESET in one of the following ways:

1. Power-on Reset (POR)
2. Brown-out Reset (BOR)
3. RSTB Pin Reset
4. WDT time-out Reset

Some registers are not affected in any RESET condition. Their status is unknown on Power-on Reset and unchanged in any other RESET. Most other registers are reset to a "reset state" on Power-on Reset, RSTB or WDT Reset.

A Power-on RESET pulse is generated on-chip when Vdd rise is detected. To use this feature, the user merely ties the RSTB pin to Vdd.

On-chip Low Voltage Detector (LVD) places the device into reset when Vdd is below a fixed voltage. This ensures that the device does not continue program execution outside the valid operation Vdd range. Brown-out RESET is typically used in AC line or heavy loads switched applications.

A RSTB or WDT Wake-up from SLEEP also results in a device RESET, and not a continuation of operation before SLEEP.

The  $\overline{TO}$  and  $\overline{PD}$  bits (STATUS<4:3>) are set or cleared depending on the different reset conditions.

### 2.6.1 Power-up Reset Timer(PWRT)

The Power-up Reset Timer provides a nominal 18/4.5/288/72ms (selected by SUT<1:0> bits of configuration word) (or 140us, varies based on oscillator selection and reset condition) delay after Power-on Reset (POR), Brown-out Reset (BOR), RSTB Reset or WDT time-out Reset. The device is kept in reset state as long as the PWRT is active. The PWRT delay will vary from device to device due to Vdd, temperature, and process variation.

**TABLE 2.1: PWRT Period**

Oscillator Mode	Power-on Reset Brown-out Reset	RSTB Reset WDT time-out Reset
ERC & IRC/ERIC	18/4.5/288/72 ms	140 us
HF & LF	18/4.5/288/72 ms	18/4.5/288/72ms

### 2.6.2 Oscillator Start-up Timer(OST)

The OST timer provides a 16 oscillator cycle delay (from OSCI input) after the PWRT delay (18/4.5/288/72ms) is over in HF or LF oscillation mode. This delay ensures that the X'tal oscillator or resonator has started and stabilized. The device is kept in reset state as long as the OST is active.

This counter only starts incrementing after the amplitude of the OSCI signal reaches the oscillator input thresholds.

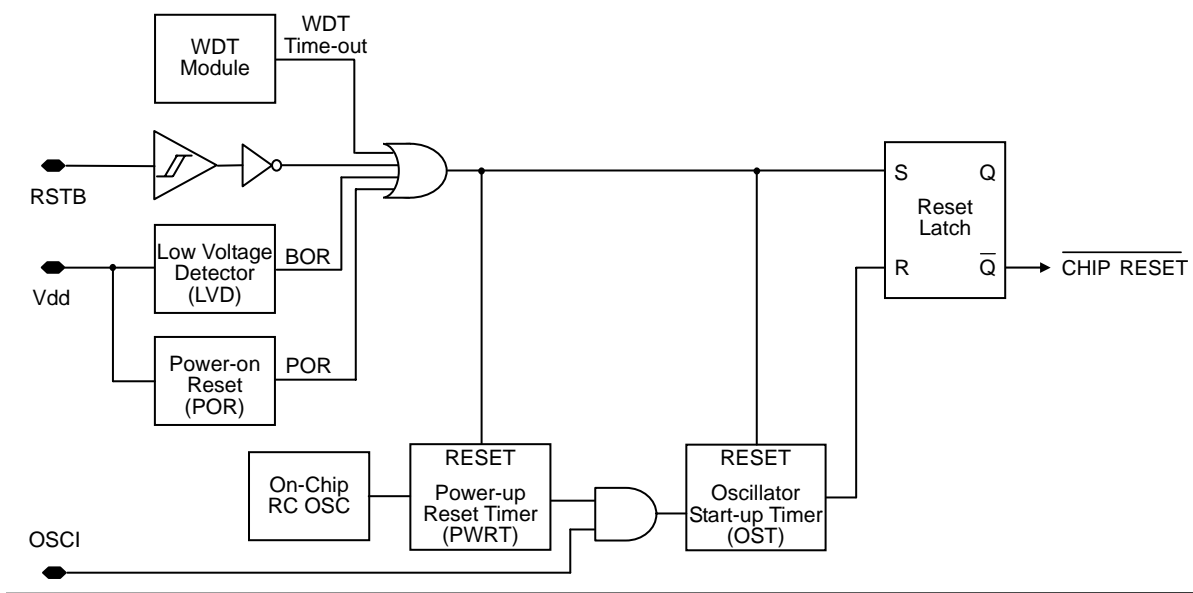
### 2.6.3 Reset Sequence

When Power-on Reset (POR), Brown-out Reset (BOR), RSTB Reset or WDT time-out Reset is detected, the reset sequence is as follows:

1. The reset latch is set and the PWRT & OST are cleared.
2. When the internal POR, BOR, RSTB Reset or WDT time-out Reset pulse is finished, then the PWRT begins counting.
3. After the PWRT time-out, the OST is activated.
4. And after the OST delay is over, the reset latch will be cleared and thus end the on-chip reset signal.

In HF or LF oscillation mode, the totally system reset delay time is 18/4.5/288/72ms plus 16 oscillator cycle time. And in IRC/ERIC or ERC oscillation mode, the totally system reset delay time is 18/4.5/288/72ms after Power-on Reset (POR), Brown-out Reset (BOR), or 140us after RSTB Reset or WDT time-out Reset.

**FIGURE 2.5: Simplified Block Diagram of on-chip Reset Circuit**



**TABLE 2.2: Reset Conditions for All Registers**

Register	Address	Power-on Reset Brown-out Reset	RSTB Reset WDT Reset
ACC	N/A	xxxx xxxx	uuuu uuuu
OPTION	N/A	-011 1111	-011 1111
IOSTA	N/A	---- 1111	---- 1111
IOSTB	N/A	1111 1111	1111 1111
INDF	00h	xxxx xxxx	uuuu uuuu
TMR0	01h	xxxx xxxx	uuuu uuuu
PCL	02h	1111 1111	1111 1111
STATUS	03h	0001 1xxx	000# #uuu
FSR	04h	11xx xxxx	11uu uuuu
PORTA	05h	xxxx xxxx	uuuu uuuu
PORTB	06h	xxxx xxxx	uuuu uuuu
General Purpose Register	07h	xxxx xxxx	uuuu uuuu
PCON	08h	101- ----	101- ----
WUCON	09h	0000 0000	0000 0000
PCHBUF	0Ah	---- --00	---- --00
PDCON	0Bh	1111 1111	1111 1111
ODCON	0Ch	0000 0000	0000 0000
PHCON	0Dh	1111 1111	1111 1111
INTEN	0Eh	0--- -000	0--- -000
INTFLAG	0Fh	---- -000	---- -000
General Purpose Registers	10 ~ 3Fh	xxxx xxxx	uuuu uuuu

Legend: u = unchanged, x = unknown, - = unimplemented,  
# = refer to the following table for possible values.

**TABLE 2.3: RST/ $\overline{TO}$ / $\overline{PD}$  Status after Reset or Wake-up**

RST	$\overline{TO}$	$\overline{PD}$	RESET was caused by
0	1	1	Power-on Reset
0	1	1	Brown-out reset
0	u	u	RSTB Reset during normal operation
0	1	0	RSTB Reset during SLEEP
0	0	1	WDT Reset during normal operation
0	0	0	WDT Wake-up during SLEEP
1	1	0	Wake-up on pin change during SLEEP

Legend: u = unchanged

**TABLE 2.4: Events Affecting  $\overline{TO}$ / $\overline{PD}$  Status Bits**

Event	$\overline{TO}$	$\overline{PD}$
Power-on	1	1
WDT Time-Out	0	u
SLEEP instruction	1	0
CLRWDT instruction	1	1

Legend: u = unchanged

### 2.7 Hexadecimal Convert to Decimal (HCD)

Decimal format is another number format for FM8P53. When the content of the data memory has been assigned as decimal format, it is necessary to convert the results to decimal format after the execution of ALU instructions. When the decimal converting operation is processing, all of the operand data (including the contents of the data memory (RAM), accumulator (ACC), immediate data, and look-up table) should be in the decimal format, or the results of conversion will be incorrect.

Instruction DAA can convert the ACC data from hexadecimal to decimal format after any addition operation and restored to ACC.

The conversion operation is illustrated in example 2.2.

#### EXAMPLE 2.2: DAA CONVERSION

```
MOVIA  90h      ;Set immediate data = decimal format number "90" (ACC ← 90h)
MOVAR  30h      ;Load immediate data "90" to data memory address 30H
MOVIA  10h      ;Set immediate data = decimal format number "10" (ACC ← 10h)
ADDAR  30h, 0   ;Contents of the data memory address 30H and ACC are binary-added
                ;the result loads to the ACC (ACC ← A0h, C ← 0)
DAA    ;Convert the content of ACC to decimal format, and restored to ACC
                ;The result in the ACC is "00" and the carry bit C is "1". This represents the
                ;decimal number "100"
```

Instruction DAS can convert the ACC data from hexadecimal to decimal format after any subtraction operation and restored to ACC.

The conversion operation is illustrated in example 2.3.

#### EXAMPLE 2.3: DAS CONVERSION

```
MOVIA  10h      ;Set immediate data = decimal format number "10" (ACC ← 10h)
MOVAR  30h      ;Load immediate data "10" to data memory address 30H
MOVIA  20h      ;Set immediate data = decimal format number "20" (ACC ← 20h)
SUBAR  30h, 0   ;Contents of the data memory address 30H and ACC are binary-subtracted
                ;the result loads to the ACC (ACC ← F0h, C ← 0)
DAS    ;Convert the content of ACC to decimal format, and restored to ACC
                ;The result in the ACC is "90" and the carry bit C is "0". This represents the
                ;decimal number " -10"
```

## 2.8 Oscillator Configurations

FM8P53 can be operated in four different oscillator modes. Users can program two configuration bits ( $F_{osc}<1:0>$ ) to select the appropriate modes:

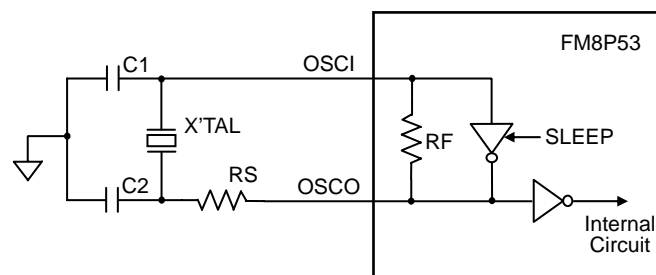
- LF: Low Frequency Crystal Oscillator
- HF: High Frequency Crystal/Resonator Oscillator
- IRC/ERIC: Internal or External Resistor/Internal Capacitor Oscillator
- ERC: External Resistor/Capacitor Oscillator

In LF, or HF modes, a crystal or ceramic resonator is connected to the OSCI and OSCO pins to establish oscillation. When in LF, or HF modes, the devices can have an external clock source drive the OSCI pin.

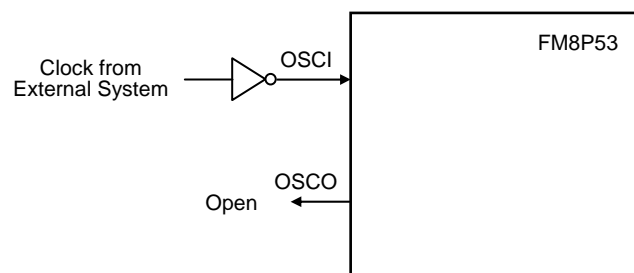
The ERC device option offers additional cost savings for timing insensitive applications. The RC oscillator frequency is a function of the resistor ( $R_{ext}$ ) and capacitor ( $C_{ext}$ ), the operating temperature, and the process parameter.

The IRC/ERIC device option offers largest cost savings for timing insensitive applications. These devices offer 4 different internal RC oscillator frequency, 8MHz, 4MHz, 1MHz, and 455KHz, which is selected by two configuration bits ( $RCM<1:0>$ ). Or user can change the oscillator frequency with external resistor. The ERIC oscillator frequency is a function of the resistor ( $R_{ext}$ ), the operating temperature, and the process parameter.

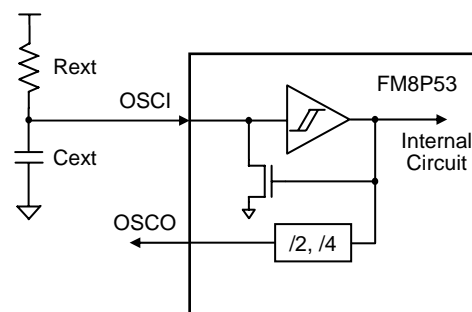
**FIGURE 2.6: HF, or LF Oscillator Modes (Crystal Operation or Ceramic Resonator)**



**FIGURE 2.7: HF, or LF Oscillator Modes (External Clock Input Operation)**

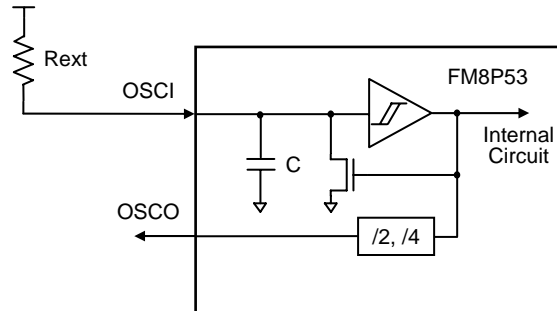


**FIGURE 2.8: ERC Oscillator Mode (External RC Oscillator)**

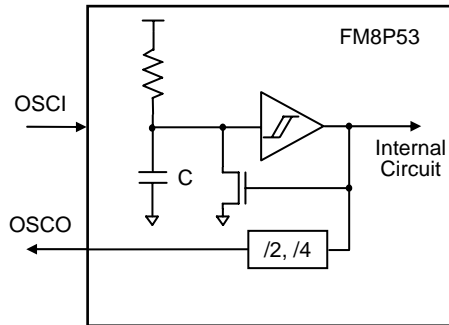




**FIGURE 2.9: ERIC Oscillator Mode (External R, Internal C Oscillator)**



**FIGURE 2.10: IRC Oscillator Mode (Internal R, Internal C Oscillator)**



**2.9 Configurations Word**
**TABLE 2.4: Configurations Word 0**

bit	Name	Description
1, 0	Fosc<1:0>	Oscillator Selection Bits = 1, 1 → ERC mode (external R & C) (default) = 1, 0 → IRC/ERIC mode (internal or external R & internal C) = 0, 1 → HF mode = 0, 0 → LF mode
2	WDTEN	Watchdog Timer Enable Bit = 1, WDT enabled (default) = 0, WDT disabled
3	PROTECT	Code Protection Bit = 1, EPROM code protection off (default) = 0, EPROM code protection on
5, 4	LVDT<1:0>	Low Voltage Detector Selection Bit = 1, 1 → disable (default) = 0, 1 → enable, LVDT voltage = 2.0V = 0, 0 → enable, LVDT voltage = 3.6V
7, 6	RCM<1:0>	IRC Mode Selection Bits = 1, 1 → 4MHz (default) = 1, 0 → 8MHz = 0, 1 → 1MHz = 0, 0 → 455KHz
9, 8	SUT<1:0>	PWRT & WDT Time Period Selection Bits (The value is a multiple of WDT prescaler rate) = 1, 1 → PWRT = WDT prescaler rate = 18ms (default) = 1, 0 → PWRT = WDT prescaler rate = 4.5ms = 0, 1 → PWRT = WDT prescaler rate = 288ms = 0, 0 → PWRT = WDT prescaler rate = 72ms
10	OSCIN	IOB5/OSCI Pin Selection Bit for IRC/ERIC Mode = 1, OSCI pin is selected, with external R & internal C (ERIC) (default) = 0, IOB5 pin is selected, with internal R & C (IRC)
11	OSCO	IOB4/OSCO Pin Selection Bit for IRC/ERIC/ERC Mode = 1, OSCO pin is selected (default) = 0, IOB4 pin is selected
12	RSTBIN	IOB3/RSTB Pin Selection Bit = 1, IOB3 pin is selected (default) = 0, RSTB pin is selected

**TABLE 2.5: Configurations Word 1**

bit	Name	Description
3 ~ 0	CAL<3:0>	Calibration Selection Bits for IRC Mode
4	-	Unused
5	OSCD	Instruction Period Selection Bit = 1 → four oscillator periods (default) = 0 → two oscillator periods
6	-	Unused
7	PMOD	Power Mode Selection Bit = 1 → Non-power saving (default) = 0 → Power saving
12 ~ 8	-	Unused

**TABLE 2.6: Selection of IOB5/OSCI and IOB4/OSCO Pins**

Mode of oscillation	IOB5/OSCI	IOB4/OSCO
IRC/ERIC	IOB5 (OSCIN=0)	IOB4/OSCO selected by OSCOUT bit
	OSCI (OSCIN=1)	IOB4/OSCO selected by OSCOUT bit
ERC	OSCI	IOB4/OSCO selected by OSCOUT bit
HF	OSCI	OSCO
LF	OSCI	OSCO

**3.0 INSTRUCTION SET**

Mnemonic, Operands	Description	Operation	Cycles	Status Affected
<b>BCR</b> R, bit	Clear bit in R	$0 \rightarrow R\langle b \rangle$	1	-
<b>BSR</b> R, bit	Set bit in R	$1 \rightarrow R\langle b \rangle$	1	-
<b>BTRSC</b> R, bit	Test bit in R, Skip if Clear	Skip if $R\langle b \rangle = 0$	$1/2^{(1)}$	-
<b>BTRSS</b> R, bit	Test bit in R, Skip if Set	Skip if $R\langle b \rangle = 1$	$1/2^{(1)}$	-
<b>NOP</b>	No Operation	No operation	1	-
<b>CLRWDT</b>	Clear Watchdog Timer	$00h \rightarrow$ WDT, $00h \rightarrow$ WDT prescaler	1	$\overline{TO}$ , $\overline{PD}$
<b>OPTION</b>	Load OPTION register	$ACC \rightarrow$ OPTION	1	-
<b>SLEEP</b>	Go into power-down mode	$00h \rightarrow$ WDT, $00h \rightarrow$ WDT prescaler	1	$\overline{TO}$ , $\overline{PD}$
<b>DAA</b>	Adjust ACC's data format from HEX to DEC after any addition operation	$ACC(hex) \rightarrow ACC(dec)$	1	C
<b>DAS</b>	Adjust ACC's data format from HEX to DEC after any subtraction operation	$ACC(hex) \rightarrow ACC(dec)$	1	-
<b>INT</b>	S/W interrupt	$PC + 1 \rightarrow$ Top of Stack, $002h \rightarrow PC$	2	-
<b>RETURN</b>	Return from subroutine	Top of Stack $\rightarrow PC$	2	-
<b>RETFIE</b>	Return from interrupt, set GIE bit	Top of Stack $\rightarrow PC$ , $1 \rightarrow GIE$	2	-
<b>CLRA</b>	Clear ACC	$00h \rightarrow ACC$	1	Z
<b>IOST</b> R	Load IOST register	$ACC \rightarrow$ IOST register	1	-
<b>CLRR</b> R	Clear R	$00h \rightarrow R$	1	Z
<b>MOVAR</b> R	Move ACC to R	$ACC \rightarrow R$	1	-
<b>MOVR</b> R, d	Move R	$R \rightarrow$ dest	1	Z
<b>DECR</b> R, d	Decrement R	$R - 1 \rightarrow$ dest	1	Z
<b>DECRSZ</b> R, d	Decrement R, Skip if 0	$R - 1 \rightarrow$ dest, Skip if result = 0	$1/2^{(1)}$	-
<b>INCR</b> R, d	Increment R	$R + 1 \rightarrow$ dest	1	Z
<b>INCRSZ</b> R, d	Increment R, Skip if 0	$R + 1 \rightarrow$ dest, Skip if result = 0	$1/2^{(1)}$	-
<b>ADDAR</b> R, d	Add ACC and R	$R + ACC \rightarrow$ dest	1	C, DC, Z
<b>SUBAR</b> R, d	Subtract ACC from R	$R - ACC \rightarrow$ dest	1	C, DC, Z
<b>ADCAR</b> R, d	Add ACC and R with Carry	$R + ACC + C \rightarrow$ dest	1	C, DC, Z
<b>SBCAR</b> R, d	Subtract ACC from R with Carry	$R + \overline{ACC} + C \rightarrow$ dest	1	C, DC, Z
<b>ANDAR</b> R, d	AND ACC with R	$ACC \text{ and } R \rightarrow$ dest	1	Z
<b>IORAR</b> R, d	Inclusive OR ACC with R	$ACC \text{ or } R \rightarrow$ dest	1	Z
<b>XORAR</b> R, d	Exclusive OR ACC with R	$R \text{ xor } ACC \rightarrow$ dest	1	Z
<b>COMR</b> R, d	Complement R	$\overline{R} \rightarrow$ dest	1	Z
<b>RLR</b> R, d	Rotate left f through Carry	$R\langle 7 \rangle \rightarrow C$ , $R\langle 6:0 \rangle \rightarrow$ dest $\langle 7:1 \rangle$ , $C \rightarrow$ dest $\langle 0 \rangle$	1	C

<b>RRR</b>	<b>R, d</b>	Rotate right f through Carry	C → dest<7>, R<7:1> → dest<6:0>, R<0> → C	1	C
<b>SWAPR</b>	<b>R, d</b>	Swap R	R<3:0> → dest<7:4>, R<7:4> → dest<3:0>	1	-
<b>MOVIA</b>	<b>I</b>	Move Immediate to ACC	I → ACC	1	-
<b>ADDIA</b>	<b>I</b>	Add ACC and Immediate	I + ACC → ACC	1	C, DC, Z
<b>SUBIA</b>	<b>I</b>	Subtract ACC from Immediate	I - ACC → ACC	1	C, DC, Z
<b>ANDIA</b>	<b>I</b>	AND Immediate with ACC	ACC and I → ACC	1	Z
<b>IORIA</b>	<b>I</b>	OR Immediate with ACC	ACC or I → ACC	1	Z
<b>XORIA</b>	<b>I</b>	Exclusive OR Immediate to ACC	ACC xor I → ACC	1	Z
<b>RETIA</b>	<b>I</b>	Return, place Immediate in ACC	I → ACC, Top of Stack → PC	2	-
<b>CALL</b>	<b>I</b>	Call subroutine	PC + 1 → Top of Stack, I → PC	2	-
<b>GOTO</b>	<b>I</b>	Unconditional branch	I → PC	2	-

Note: 1. 2 cycles for skip, else 1 cycle

2. bit : Bit address within an 8-bit register R

R : Register address (00h to 3Fh)

I : Immediate data

ACC : Accumulator

d : Destination select;

=0 (store result in ACC)

=1 (store result in file register R)

dest : Destination

PC : Program Counter

PCHBUF : High Byte Buffer of Program Counter

WDT : Watchdog Timer Counter

GIE : Global interrupt enable bit

$\overline{TO}$  : Time-out bit

$\overline{PD}$  : Power-down bit

C : Carry bit

DC : Digital carry bit

Z : Zero bit

---

<b>ADCAR</b>	<b>Add ACC and R with Carry</b>
Syntax:	ADCAR R, d
Operands:	$0 \leq R \leq 63$ $d \in [0,1]$
Operation:	$R + ACC + C \rightarrow dest$
Status Affected:	C, DC, Z
Description:	Add the contents of the ACC register and register 'R' with Carry. If 'd' is 0 the result is stored in the ACC register. If 'd' is '1' the result is stored back in register 'R'.
Cycles:	1

---

<b>ADDAR</b>	<b>Add ACC and R</b>
Syntax:	ADDAR R, d
Operands:	$0 \leq R \leq 63$ $d \in [0,1]$
Operation:	$ACC + R \rightarrow dest$
Status Affected:	C, DC, Z
Description:	Add the contents of the ACC register and register 'R'. If 'd' is 0 the result is stored in the ACC register. If 'd' is '1' the result is stored back in register 'R'.
Cycles:	1

---

<b>ADDIA</b>	<b>Add ACC and Immediate</b>
Syntax:	ADDIA I
Operands:	$0 \leq I \leq 255$
Operation:	$ACC + I \rightarrow ACC$
Status Affected:	C, DC, Z
Description:	Add the contents of the ACC register with the 8-bit immediate 'I'. The result is placed in the ACC register.
Cycles:	1

---

<b>ANDAR</b>	<b>AND ACC and R</b>
Syntax:	ANDAR R, d
Operands:	$0 \leq R \leq 63$ $d \in [0,1]$
Operation:	$ACC \text{ and } R \rightarrow dest$
Status Affected:	Z
Description:	The contents of the ACC register are AND'ed with register 'R'. If 'd' is 0 the result is stored in the ACC register. If 'd' is '1' the result is stored back in register 'R'.
Cycles:	1

---

<b>ANDIA</b>	<b>AND Immediate with ACC</b>
Syntax:	ANDIA I
Operands:	$0 \leq I \leq 255$
Operation:	$ACC \text{ AND } I \rightarrow ACC$
Status Affected:	Z
Description:	The contents of the ACC register are AND'ed with the 8-bit immediate 'I'. The result is placed in the ACC register.
Cycles:	1

---

---

**BCR                      Clear Bit in R**


---

Syntax:                BCF R, b  
 Operands:             $0 \leq R \leq 63$   
                            $0 \leq b \leq 7$   
 Operation:             $0 \rightarrow R<b>$   
 Status Affected:    None  
 Description:          Clear bit 'b' in register 'R'.  
 Cycles:                1

---

**BSR                      Set Bit in R**


---

Syntax:                BSR R, b  
 Operands:             $0 \leq R \leq 63$   
                            $0 \leq b \leq 7$   
 Operation:             $1 \rightarrow R<b>$   
 Status Affected:    None  
 Description:          Set bit 'b' in register 'R'.  
 Cycles:                1

---

**BTRSC                    Test Bit in R, Skip if Clear**


---

Syntax:                BTRSC R, b  
 Operands:             $0 \leq R \leq 63$   
                            $0 \leq b \leq 7$   
 Operation:            Skip if  $R<b> = 0$   
 Status Affected:    None  
 Description:          If bit 'b' in register 'R' is 0 then the next instruction is skipped.  
                           If bit 'b' is 0 then next instruction fetched during the current instruction execution is discarded,  
                           and a NOP is executed instead making this a 2-cycle instruction..  
 Cycles:                1(2)

---

**BTRSS                    Test Bit in R, Skip if Set**


---

Syntax:                BTRSS R, b  
 Operands:             $0 \leq R \leq 63$   
                            $0 \leq b \leq 7$   
 Operation:            Skip if  $R<b> = 1$   
 Status Affected:    None  
 Description:          If bit 'b' in register 'R' is '1' then the next instruction is skipped.  
                           If bit 'b' is '1', then the next instruction fetched during the current instruction execution, is  
                           discarded and a NOP is executed instead, making this a 2-cycle instruction.  
 Cycles:                1(2)

---

**CALL                      Subroutine Call**


---

Syntax:                CALL I  
 Operands:             $0 \leq I \leq 1023$   
 Operation:             $PC + 1 \rightarrow$  Top of Stack;  
                            $I \rightarrow PC$   
 Status Affected:    None  
 Description:          Subroutine call. First, return address (PC+1) is pushed onto the stack. The 10-bit immediate  
                           address is loaded into PC bits <9:0>. CALL is a two-cycle instruction.  
 Cycles:                2

<b>CLRA</b>	<b>Clear ACC</b>
Syntax:	CLRA
Operands:	None
Operation:	00h → ACC; 1 → Z
Status Affected:	Z
Description:	The ACC register is cleared. Zero bit (Z) is set.
Cycles:	1
<b>CLRR</b>	<b>Clear R</b>
Syntax:	CLRR R
Operands:	$0 \leq R \leq 63$
Operation:	00h → R; 1 → Z
Status Affected:	Z
Description:	The contents of register 'R' are cleared and the Z bit is set.
Cycles:	1
<b>CLRWDT</b>	<b>Clear Watchdog Timer</b>
Syntax:	CLRWDT
Operands:	None
Operation:	00h → WDT; 00h → WDT prescaler (if assigned); 1 → $\overline{TO}$ ; 1 → $\overline{PD}$
Status Affected:	$\overline{TO}$ , $\overline{PD}$
Description:	The CLRWDT instruction resets the WDT. It also resets the prescaler, if the prescaler is assigned to the WDT and not Timer0. Status bits $\overline{TO}$ and $\overline{PD}$ are set.
Cycles:	1
<b>COMR</b>	<b>Complement R</b>
Syntax:	COMR R, d
Operands:	$0 \leq R \leq 63$ $d \in [0,1]$
Operation:	$\overline{R} \rightarrow \text{dest}$
Status Affected:	Z
Description:	The contents of register 'R' are complemented. If 'd' is 0 the result is stored in the ACC register. If 'd' is 1 the result is stored back in register 'R'.
Cycles:	1
<b>DAA</b>	<b>Adjust ACC's data format from HEX to DEC</b>
Syntax:	DAA
Operands:	None
Operation:	ACC(hex) → ACC(dec)
Status Affected:	C
Description:	Convert the ACC data from hexadecimal to decimal format after any addition operation and restored to ACC.
Cycles:	1



<b>DAS</b>	<b>Adjust ACC's data format from HEX to DEC</b>
Syntax:	DAS
Operands:	None
Operation:	ACC(hex) → ACC(dec)
Status Affected:	None
Description:	Convert the ACC data from hexadecimal to decimal format after any subtraction operation and restored to ACC.
Cycles:	1
<b>DECR</b>	<b>Decrement R</b>
Syntax:	DECR R, d
Operands:	$0 \leq R \leq 63$ $d \in [0,1]$
Operation:	$R - 1 \rightarrow \text{dest}$
Status Affected:	Z
Description:	Decrement register 'R'. If 'd' is 0 the result is stored in the ACC register. If 'd' is 1 the result is stored back in register 'R'.
Cycles:	1
<b>DECRSZ</b>	<b>Decrement R, Skip if 0</b>
Syntax:	DECRSZ R, d
Operands:	$0 \leq R \leq 63$ $d \in [0,1]$
Operation:	$R - 1 \rightarrow \text{dest}$ ; skip if result = 0
Status Affected:	None
Description:	The contents of register 'R' are decremented. If 'd' is 0 the result is placed in the ACC register. If 'd' is 1 the result is placed back in register 'R'. If the result is 0, the next instruction, which is already fetched, is discarded and a NOP is executed instead making it a two-cycle instruction.
Cycles:	1(2)
<b>GOTO</b>	<b>Unconditional Branch</b>
Syntax:	GOTO I
Operands:	$0 \leq I \leq 1023$
Operation:	$I \rightarrow \text{PC}$
Status Affected:	None
Description:	GOTO is an unconditional branch. The 10-bit immediate value is loaded into PC bits <9:0>. GOTO is a two-cycle instruction.
Cycles:	2
<b>INCR</b>	<b>Increment R</b>
Syntax:	INCR R, d
Operands:	$0 \leq R \leq 63$ $d \in [0,1]$
Operation:	$R + 1 \rightarrow \text{dest}$
Status Affected:	Z
Description:	The contents of register 'R' are incremented. If 'd' is 0 the result is placed in the ACC register. If 'd' is 1 the result is placed back in register 'R'.
Cycles:	1

---

**INCRSZ                    Increment R, Skip if 0**


---

Syntax:                    INCRSZ R, d  
 Operands:                 $0 \leq R \leq 63$   
                                $d \in [0,1]$   
 Operation:                 $R + 1 \rightarrow \text{dest}$ , skip if result = 0  
 Status Affected:        None  
 Description:              The contents of register 'R' are incremented. If 'd' is 0 the result is placed in the ACC register. If 'd' is 1 the result is placed back in register 'R'.  
                               If the result is 0, then the next instruction, which is already fetched, is discarded and a NOP is executed instead making it a two-cycle instruction.  
 Cycles:                    1(2)

---

**INT                        S/W Interrupt**


---

Syntax:                    INT  
 Operands:                None  
 Operation:                 $PC + 1 \rightarrow \text{Top of Stack}$ ,  
                                $002h \rightarrow PC$   
 Status Affected:        None  
 Description:              Interrupt subroutine call. First, return address (PC+1) is pushed onto the stack. The address 002h is loaded into PC bits <10:0>.  
 Cycles:                    2

---

**IORAR                    OR ACC with R**


---

Syntax:                    IORAR R, d  
 Operands:                 $0 \leq R \leq 63$   
                                $d \in [0,1]$   
 Operation:                 $\text{ACC or } R \rightarrow \text{dest}$   
 Status Affected:        Z  
 Description:              Inclusive OR the ACC register with register 'R'. If 'd' is 0 the result is placed in the ACC register. If 'd' is 1 the result is placed back in register 'R'.  
 Cycles:                    1

---

**IORIA                    OR Immediate with ACC**


---

Syntax:                    IORIA I  
 Operands:                 $0 \leq I \leq 255$   
 Operation:                 $\text{ACC or } I \rightarrow \text{ACC}$   
 Status Affected:        Z  
 Description:              The contents of the ACC register are OR'ed with the 8-bit immediate 'I'. The result is placed in the ACC register.  
 Cycles:                    1

---

**IOST                      Load IOST Register**


---

Syntax:                    IOST R  
 Operands:                 $R = 5 \text{ or } 6$   
 Operation:                 $\text{ACC} \rightarrow \text{IOST register } R$   
 Status Affected:        None  
 Description:              IOST register 'R' ( $R = 5 \text{ or } 6$ ) is loaded with the contents of the ACC register.  
 Cycles:                    1

<b>MOVAR</b>	<b>Move ACC to R</b>
Syntax:	MOVAR R
Operands:	$0 \leq R \leq 63$
Operation:	ACC $\rightarrow$ R
Status Affected:	None
Description:	Move data from the ACC register to register 'R'.
Cycles:	1
<b>MOVIA</b>	<b>Move Immediate to ACC</b>
Syntax:	MOVIA I
Operands:	$0 \leq I \leq 255$
Operation:	I $\rightarrow$ ACC
Status Affected:	None
Description:	The 8-bit immediate 'I' is loaded into the ACC register. The don't cares will assemble as 0s.
Cycles:	1
<b>MOVR</b>	<b>Move R</b>
Syntax:	MOVR R, d
Operands:	$0 \leq R \leq 63$ $d \in [0,1]$
Operation:	R $\rightarrow$ dest
Status Affected:	Z
Description:	The contents of register 'R' is moved to destination 'd'. If 'd' is 0, destination is the ACC register. If 'd' is 1, the destination is file register 'R'. 'd' is 1 is useful to test a file register since status flag Z is affected.
Cycles:	1
<b>NOP</b>	<b>No Operation</b>
Syntax:	NOP
Operands:	None
Operation:	No operation
Status Affected:	None
Description:	No operation.
Cycles:	1
<b>OPTION</b>	<b>Load OPTION Register</b>
Syntax:	OPTION
Operands:	None
Operation:	ACC $\rightarrow$ OPTION
Status Affected:	None
Description:	The content of the ACC register is loaded into the OPTION register.
Cycles:	1
<b>RETFIE</b>	<b>Return from Interrupt, Set 'GIE' Bit</b>
Syntax:	RETFIE
Operands:	None
Operation:	Top of Stack $\rightarrow$ PC
Status Affected:	None
Description:	The program counter is loaded from the top of the stack (the return address). The 'GIE' bit is set to 1. This is a two-cycle instruction.
Cycles:	2

<b>RETIA</b>	<b>Return with Immediate in ACC</b>
Syntax:	RETIA I
Operands:	$0 \leq I \leq 255$
Operation:	$I \rightarrow \text{ACC};$ Top of Stack $\rightarrow$ PC
Status Affected:	None
Description:	The ACC register is loaded with the 8-bit immediate 'I'. The program counter is loaded from the top of the stack (the return address). This is a two-cycle instruction.
Cycles:	2
<b>RETURN</b>	<b>Return from Subroutine</b>
Syntax:	RETURN
Operands:	None
Operation:	Top of Stack $\rightarrow$ PC
Status Affected:	None
Description:	The program counter is loaded from the top of the stack (the return address). This is a two-cycle instruction.
Cycles:	2
<b>RLR</b>	<b>Rotate Left f through Carry</b>
Syntax:	RLR R, d
Operands:	$0 \leq R \leq 63$ $d \in [0,1]$
Operation:	$R\langle 7 \rangle \rightarrow C;$ $R\langle 6:0 \rangle \rightarrow \text{dest}\langle 7:1 \rangle;$ $C \rightarrow \text{dest}\langle 0 \rangle$
Status Affected:	C
Description:	The contents of register 'R' are rotated one bit to the left through the Carry Flag. If 'd' is 0 the result is placed in the ACC register. If 'd' is 1 the result is stored back in register 'R'.
Cycles:	1
<b>RRR</b>	<b>Rotate Right f through Carry</b>
Syntax:	RRR R, d
Operands:	$0 \leq R \leq 63$ $d \in [0,1]$
Operation:	$C \rightarrow \text{dest}\langle 7 \rangle;$ $R\langle 7:1 \rangle \rightarrow \text{dest}\langle 6:0 \rangle;$ $R\langle 0 \rangle \rightarrow C$
Status Affected:	C
Description:	The contents of register 'R' are rotated one bit to the right through the Carry Flag. If 'd' is 0 the result is placed in the ACC register. If 'd' is 1 the result is placed back in register 'R'.
Cycles:	1

<b>SLEEP</b>	<b>Enter SLEEP Mode</b>
Syntax:	SLEEP
Operands:	None
Operation:	00h → WDT; 00h → WDT prescaler; 1 → $\overline{TO}$ ; 0 → $\overline{PD}$
Status Affected:	$\overline{TO}$ , $\overline{PD}$
Description:	Time-out status bit ( $\overline{TO}$ ) is set. The power-down status bit ( $\overline{PD}$ ) is cleared. The WDT and its prescaler are cleared. The processor is put into SLEEP mode.
Cycles:	1
<b>SBCAR</b>	<b>Subtract ACC from R with Carry</b>
Syntax:	SBCAR R, d
Operands:	$0 \leq R \leq 63$ $d \in [0,1]$
Operation:	$R + \overline{ACC} + C \rightarrow \text{dest}$
Status Affected:	C, DC, Z
Description:	Add the 2's complement data of the ACC register from register 'R' with Carry. If 'd' is 0 the result is stored in the ACC register. If 'd' is 1 the result is stored back in register 'R'.
Cycles:	1
<b>SUBAR</b>	<b>Subtract ACC from R</b>
Syntax:	SUBAR R, d
Operands:	$0 \leq R \leq 63$ $d \in [0,1]$
Operation:	$R - ACC \rightarrow \text{dest}$
Status Affected:	C, DC, Z
Description:	Subtract (2's complement method) the ACC register from register 'R'. If 'd' is 0 the result is stored in the ACC register. If 'd' is 1 the result is stored back in register 'R'.
Cycles:	1
<b>SUBIA</b>	<b>Subtract ACC from Immediate</b>
Syntax:	SUBIA I
Operands:	$0 \leq I \leq 255$
Operation:	$I - ACC \rightarrow ACC$
Status Affected:	C, DC, Z
Description:	Subtract (2's complement method) the ACC register from the 8-bit immediate 'I'. The result is placed in the ACC register.
Cycles:	1
<b>SWAPR</b>	<b>Swap nibbles in R</b>
Syntax:	SWAPR R, d
Operands:	$0 \leq R \leq 63$ $d \in [0,1]$
Operation:	$R\langle 3:0 \rangle \rightarrow \text{dest}\langle 7:4 \rangle$ ; $R\langle 7:4 \rangle \rightarrow \text{dest}\langle 3:0 \rangle$
Status Affected:	None
Description:	The upper and lower nibbles of register 'R' are exchanged. If 'd' is 0 the result is placed in ACC register. If 'd' is 1 the result is placed in register 'R'.
Cycles:	1

**XORAR Exclusive OR ACC with R**

---

Syntax: XORAR R, d  
Operands:  $0 \leq R \leq 63$   
 $d \in [0,1]$   
Operation: ACC xor R  $\rightarrow$  dest  
Status Affected: Z  
Description: Exclusive OR the contents of the ACC register with register 'R'. If 'd' is 0 the result is stored in the ACC register. If 'd' is 1 the result is stored back in register 'R'.  
Cycles: 1

**XORIA Exclusive OR Immediate with ACC**

---

Syntax: XORIA I  
Operands:  $0 \leq I \leq 255$   
Operation: ACC xor I  $\rightarrow$  ACC  
Status Affected: Z  
Description: The contents of the ACC register are XOR'ed with the 8-bit immediate 'I'. The result is placed in the ACC register.  
Cycles: 1

#### **4.0 ABSOLUTE MAXIMUM RATINGS**

Ambient Operating Temperature	0°C to +70°C
Store Temperature	-65°C to +150°C
DC Supply Voltage (Vdd)	0V to +6.0V
Input Voltage with respect to Ground (Vss)	-0.3V to (Vdd + 0.3)V

#### **5.0 OPERATING CONDITIONS**

DC Supply Voltage	+2.3V to +5.5V
Operating Temperature	0°C to +70°C

**6.0 ELECTRICAL CHARACTERISTICS**
**6.1 ELECTRICAL CHARACTERISTICS of FM8P53E**

Under Operating Conditions, at four clock instruction cycles and WDT & LVDT are disabled

Sym	Description	Conditions	Min.	Typ.	Max.	Unit
F <sub>HF</sub>	X'tal oscillation range	HF mode, Vdd=5V	1		20	MHz
		HF mode, Vdd=3V	1		15	
F <sub>LF</sub>	X'tal oscillation range	LF mode, Vdd=5V	32		4000	KHz
		LF mode, Vdd=3V	32		1000	
F <sub>ERC</sub>	RC oscillation range	ERC mode, Vdd=5V	DC		15	MHz
		ERC mode, Vdd=3V	DC		7	
F <sub>IRC/ERIC</sub>	RC oscillation range	ERIC mode, external R, Vdd=5V	DC		15	MHz
		ERIC mode, external R, Vdd=3V	DC		7	
		IRC mode, internal R, Vdd=5V	0.455		8	
		IRC mode, internal R, Vdd=3V	0.455		8	
V <sub>IH</sub>	Input high voltage	I/O ports, Vdd=5V	2.0			V
		RSTB, T0CKI pins, Vdd=5V	2.0			
		I/O ports, Vdd=3V	1.5			
		RSTB, T0CKI pins, Vdd=3V	1.5			
V <sub>IL</sub>	Input low voltage	I/O ports, Vdd=5V			1.0	V
		RSTB, T0CKI pins, Vdd=5V			1.0	
		I/O ports, Vdd=3V			0.6	
		RSTB, T0CKI pins, Vdd=3V			0.6	
V <sub>OH</sub>	Output high voltage	I <sub>OH</sub> =-5.4mA, Vdd=5V	3.6			V
V <sub>OL</sub>	Output low voltage	I <sub>OL</sub> =8.7mA, Vdd=5V			0.6	V
I <sub>PH</sub>	Pull-high current	Input pin at Vss, Vdd=5V		-65		uA
I <sub>PD</sub>	Pull-down current	Input pin at Vdd, Vdd=5V		45		uA
I <sub>WDT</sub>	WDT current	Vdd=5V		9	12	uA
		Vdd=3V		2	4	
T <sub>WDT</sub>	WDT period	Vdd=3V		20.4		mS
		Vdd=4V		17.9		
		Vdd=5V		16.2		
I <sub>LVDT</sub>	LVDT current	Vdd=5V LVDT = 3.6V		30	40	uA
		Vdd=5V LVDT = 2V		23	30	
		Vdd=3V LVDT = 2V		6.8	8.0	
I <sub>SB</sub>	Power down current	Sleep mode, Vdd=5V, WDT enable		20		uA
		Sleep mode, Vdd=5V, WDT disable		3		
		Sleep mode, Vdd=3V, WDT enable		2.5		
		Sleep mode, Vdd=3V, WDT disable		1.1		
I <sub>DD</sub>	Operating current	HF mode, Vdd=5V, 4 clock instruction				mA
		20MHz		2.04		
		15MHz		1.68		
		10MHz		1.28		
		4MHz		0.78		
		2MHz		0.62		



I <sub>DD</sub>	Operating current	HF mode, V <sub>dd</sub> =3V, 4 clock instruction					
		20MHz			0.92		
		15MHz			0.72		
		10MHz			0.54		
		4MHz			0.30		
		2MHz			0.19		
I <sub>DD</sub>	Operating current	HF mode, V <sub>dd</sub> =5V, 2 clock instruction					
		20MHz			2.94		
		15MHz			2.34		
		10MHz			1.74		
		4MHz			0.96		
		2MHz			0.68		
I <sub>DD</sub>	Operating current	HF mode, V <sub>dd</sub> =3V, 2 clock instruction					
		20MHz			1.38		
		15MHz			1.07		
		10MHz			0.77		
		4MHz			0.38		
		2MHz			0.24		
I <sub>DD</sub>	Operating current	LF mode, V <sub>dd</sub> =5V, 4 clock instruction					
		2MHz			290		
		1MHz			208		
		500KHz			167		
		100KHz			118		
		32KHz			101		
I <sub>DD</sub>	Operating current	LF mode, V <sub>dd</sub> =3V, 4 clock instruction					
		2MHz			105		
		1MHz			73		
		500KHz			54		
		100KHz			33		
		32KHz			26		
I <sub>DD</sub>	Operating current	LF mode, V <sub>dd</sub> =5V, 2 clock instruction					
		2MHz			371		
		1MHz			269		
		500KHz			194		
		100KHz			130		
		32KHz			108		
I <sub>DD</sub>	Operating current	LF mode, V <sub>dd</sub> =3V, 2 clock instruction					
		2MHz			158		
		1MHz			100		
		500KHz			67		
		100KHz			38		
		32KHz			29		
I <sub>DD</sub>	Operating current	ERC mode, V <sub>dd</sub> =5V, 4 clock instruction					
		C=3P	R=1Kohm	F=14.96MHz	4.572		

			R=3.3Kohm	F=11.06MHz		1.845				
			R=10Kohm	F=5.80MHz		0.761				
			R=100Kohm	F=808KHz		0.170				
			R=300Kohm	F=276KHz		0.119				
		C=20P	R=1Kohm	F=11.7MHz		4.226				
			R=3.3Kohm	F=6.35MHz		1.519				
			R=10Kohm	F=2.73MHz		0.613				
			R=100Kohm	F=320KHz		0.147				
		C=100P	R=300Kohm	F=108KHz		0.109				
			R=1Kohm	F=5.23MHz		3.429				
			R=3.3Kohm	F=2.05MHz		1.163				
			R=10Kohm	F=748KHz		0.454				
		C=300P	R=100Kohm	F=80KHz		0.126				
			R=300Kohm	F=26.4KHz		0.100				
			R=1Kohm	F=2.5MHz		3.024				
			R=3.3Kohm	F=900KHz		1.021				
		I <sub>DD</sub>	Operating current	ERC mode, Vdd=3V, 4 clock instruction						
				C=3P	R=1Kohm	F=8.29MHz		2.280		
					R=3.3Kohm	F=7.2MHz		0.913		
					R=10Kohm	F=4.58MHz		0.396		
R=100Kohm	F=900KHz					0.071				
R=300Kohm	F=316KHz					0.040				
C=20P	R=1Kohm			F=7MHz		2.214				
	R=3.3Kohm			F=5.1MHz		0.837				
	R=10Kohm			F=2.71MHz		0.327				
	R=100Kohm			F=374KHz		0.058				
C=100P	R=300Kohm			F=128KHz		0.035				
	R=1Kohm			F=4.14MHz		2.060				
	R=3.3Kohm			F=2.11MHz		0.688				
	R=10Kohm			F=848KHz		0.253				
C=300P	R=100Kohm			F=96KHz		0.047				
	R=300Kohm			F=32KHz		0.030				
	R=1Kohm			F=2.36MHz		1.890				
	R=3.3Kohm			F=972KHz		0.630				
C=3P	R=10Kohm			F=360KHz		0.226				
	R=100Kohm			F=38KHz		0.043				
	R=300Kohm	F=12.71KHz		0.028						
	R=1Kohm	F=15.16MHz		5.435						
	R=3.3Kohm	F=11.27MHz		2.358						
I <sub>DD</sub>	Operating current	ERC mode, Vdd=5V, 2 clock instruction						mA		
		C=3P	R=10Kohm	F=5.77MHz		986				
			R=100Kohm	F=826KHz		0.183				
			R=300Kohm	F=274KHz		0.108				
			R=1Kohm	F=15.16MHz		5.435				
R=3.3Kohm	F=11.27MHz			2.358						



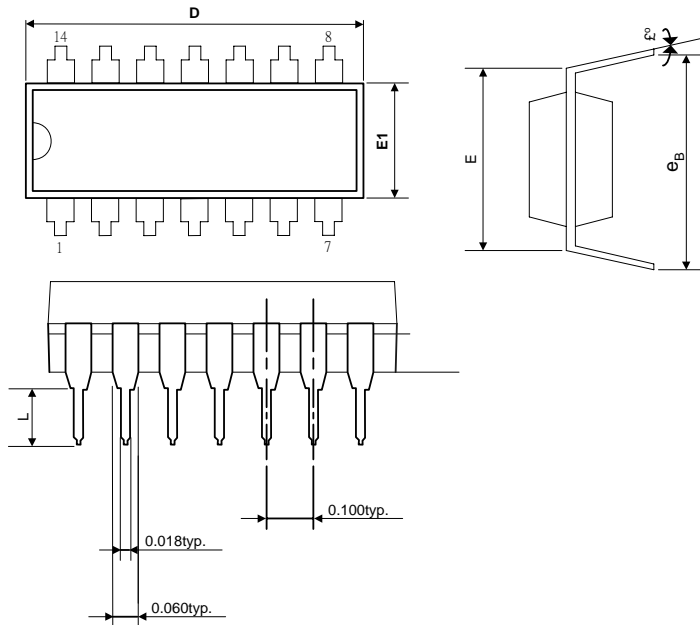
		C=20P	R=1Kohm	F=11.56MHz		4.835	
			R=3.3Kohm	F=6.12MHz		1.808	
			R=10Kohm	F=2.72MHz		0.701	
			R=100Kohm	F=308KHz		0.138	
			R=300Kohm	F=105KHz		0.092	
		C=100P	R=1Kohm	F=5.32MHz		3.680	
			R=3.3Kohm	F=1.99MHz		1.234	
			R=10Kohm	F=722KHz		0.479	
			R=100Kohm	F=77KHz		0.110	
			R=300Kohm	F=25.0KHz		0.081	
		C=300P	R=1Kohm	F=2.52MHz		3.107	
			R=3.3Kohm	F=892KHz		1.057	
			R=10Kohm	F=312KHz		0.398	
			R=100Kohm	F=32KHz		0.102	
			R=300Kohm	F=11KHz		0.077	
I <sub>DD</sub>	Operating current	ERC mode, Vdd=3V, 2 clock instruction					
		C=3P	R=1Kohm	F=8.306MHz		2.552	
			R=3.3Kohm	F=7.29MHz		1.130	
			R=10Kohm	F=4.81MHz		0.518	
			R=100Kohm	F=904KHz		0.084	
			R=300Kohm	F=338KHz		0.039	
		C=20P	R=1Kohm	F=7.08MHz		2.445	
			R=3.3Kohm	F=5.07MHz		0.986	
			R=10Kohm	F=2.68MHz		0.393	
			R=100Kohm	F=362KHz		0.061	
			R=300Kohm	F=123KHz		0.031	
		C=100P	R=1Kohm	F=4.11MHz		2.197	
			R=3.3Kohm	F=2.03MHz		0.745	
			R=10Kohm	F=810KHz		0.270	
			R=100Kohm	F=91KHz		0.043	
			R=300Kohm	F=30KHz		0.025	
		C=300P	R=1Kohm	F=2.37MHz		1.953	
			R=3.3Kohm	F=964KHz		0.648	
			R=10Kohm	F=354KHz		0.231	
			R=100Kohm	F=38KHz		0.038	
R=300Kohm	F=13KHz			0.022			
I <sub>DD</sub>	Operating current	ERIC mode, external R, Vdd=5V, 4 clock instruction					
		R=1Kohm	F=15.16MHz				
		R=3.3Kohm	F=11.27MHz				
		R=10Kohm	F=5.77MHz				
		R=100Kohm	F=826KHz				
		R=300Kohm	F=274KHz				
I <sub>DD</sub>	Operating current	ERIC mode, external R, Vdd=3V, 4 clock instruction					
		R=1Kohm	F=15.16MHz				



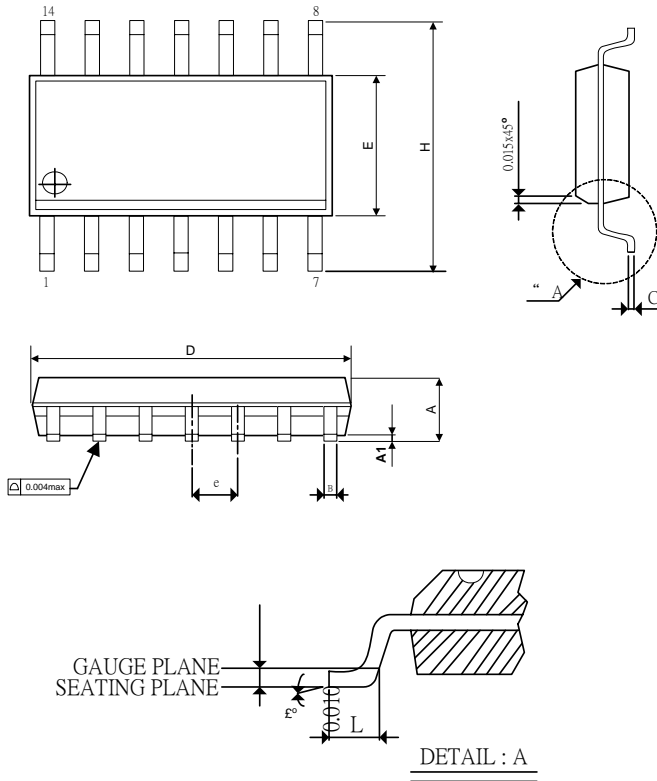
		R=3.3Kohm	F=11.27MHz				
		R=10Kohm	F=5.77MHz				
		R=100Kohm	F=826KHz				
		R=300Kohm	F=274KHz				
I <sub>DD</sub>	Operating current	ERIC mode, external R, V <sub>dd</sub> =5V, 2 clock instruction					mA
		R=1Kohm	F=15.16MHz				
		R=3.3Kohm	F=11.27MHz				
		R=10Kohm	F=5.77MHz				
		R=100Kohm	F=826KHz				
		R=300Kohm	F=274KHz				
I <sub>DD</sub>	Operating current	ERIC mode, external R, V <sub>dd</sub> =3V, 2 clock instruction					mA
		R=1Kohm	F=15.16MHz				
		R=3.3Kohm	F=11.27MHz				
		R=10Kohm	F=5.77MHz				
		R=100Kohm	F=826KHz				
		R=300Kohm	F=274KHz				
I <sub>DD</sub>	Operating current	IRC mode, internal R, V <sub>dd</sub> =5V, 4 clock instruction					mA
		F=8MHz					
		F=4MHz					
		F=1MHz					
		F=455KHz					
I <sub>DD</sub>	Operating current	IRC mode, internal R, V <sub>dd</sub> =3V, 4 clock instruction					mA
		F=8MHz					
		F=4MHz					
		F=1MHz					
		F=455KHz					
I <sub>DD</sub>	Operating current	IRC mode, internal R, V <sub>dd</sub> =5V, 2 clock instruction					mA
		F=8MHz					
		F=4MHz					
		F=1MHz					
		F=455KHz					
I <sub>DD</sub>	Operating current	IRC mode, internal R, V <sub>dd</sub> =3V, 2 clock instruction					mA
		F=8MHz					
		F=4MHz					
		F=1MHz					
		F=455KHz					

**6.2 ELECTRICAL CHARACTERISTICS of FM8P53**

To be defined

**7.0 PACKAGE DIMENSION**
**7.1 14-PIN PDIP 300mil**


Symbols	Dimension In Inches		
	Min	Nom	Max
A	-	-	0.210
A1	0.015	-	-
A2	0.125	0.130	0.135
D	0.735	0.750	0.775
E	0.300 BSC.		
E1	0.245	0.250	0.255
L	0.115	0.130	0.150
eB	0.335	0.355	0.375
$\theta^\circ$	0°	7°	15°

**7.2 14-PIN SOP 150mil**


Symbols	Dimension In Inches		
	Min	Nom	Max
A	0.058	0.064	0.068
A1	0.004	-	0.010
B	0.013	0.016	0.020
C	0.0075	0.008	0.0098
D	0.336	0.341	0.344
E	0.150	0.154	0.157
e	-	0.050	-
H	0.228	0.236	0.244
L	0.015	0.025	0.050
$\theta^\circ$	0°	-	8°

**8.0 ORDERING INFORMATION**

OTP Type MCU	Package Type	Pin Count	Package Size
FM8P53EP	PDIP	14	300 mil
FM8P53ED	SOP	14	150 mil

Mask Type MCU	Package Type	Pin Count	Package Size
FM8P53P	PDIP	14	300 mil
FM8P53D	SOP	14	150 mil