

# Multi Control Devices Stick Controller

RKJXK/RKJXP/RKJXV Series



Space-saving type is available with or without lever return mechanism.



## Features

- Superior operational feeling free from operational irregularity due to direction. Ideal for finger-tip operation.
- Integrated TACT Switch™ for selection contributes to the improvement of user-friendliness of the set.

## Applications

- Remote controllers for audio systems and TVs
- Game controllers, electronic toy controllers

Detector

Push

Slide

Rotary

Encoders

Power

Dual-in-line  
Package Type

Multi Control  
Devices

TACT Switch™

Custom-  
Products

Variable  
Resistor Type

Switch  
Type

## Typical Specifications (Potentiometer Part)

Items	RKJXK	RKJXP	RKJXV
Rated power	0.0125W		
Maximum operating voltage	50V AC/5V DC		
Operating force	8mN·m max. (Not lever reset) 6±4mN·m (Lever reset type)	17±10mN·m	
Operating life	100,000 cycles min.	2,000,000 cycles min.	

## Typical Specifications (Center Push Part)

Characteristics	RKJXK	RKJXP	RKJXV
Ratings (max.)	50mA 12V DC		
Operating force	5.2±2.6N	6.4 <sup>+3.4</sup> <sub>-2.6</sub> N	
Travel	0.5 <sup>+0.5</sup> <sub>-0.4</sub> mm		
Operating life	1,000,000 min.		

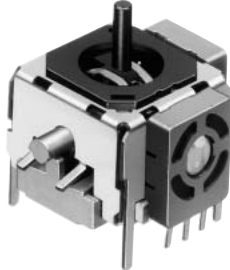
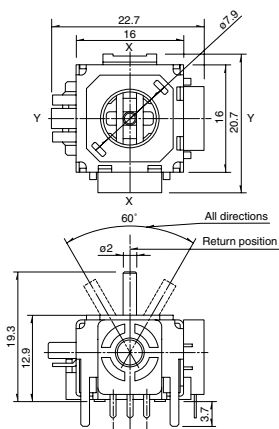
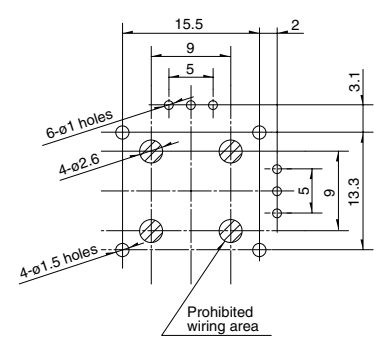
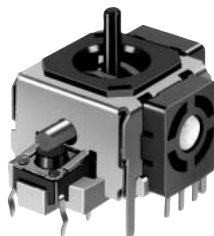
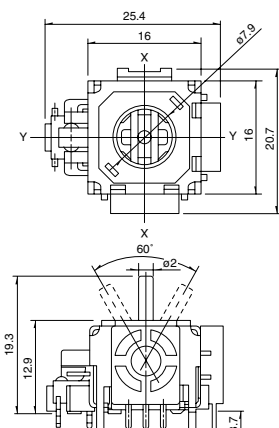
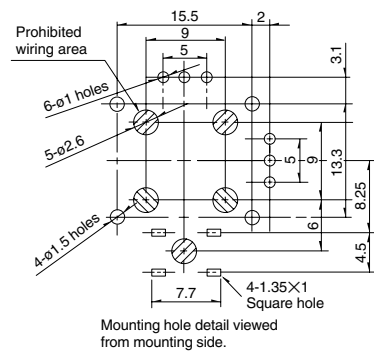
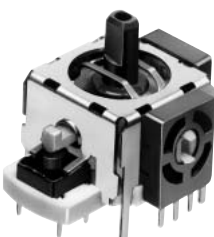
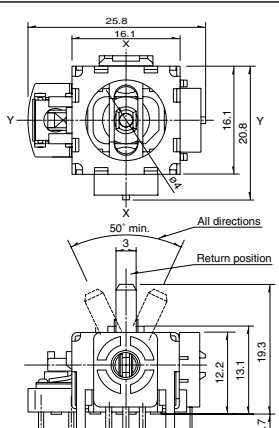
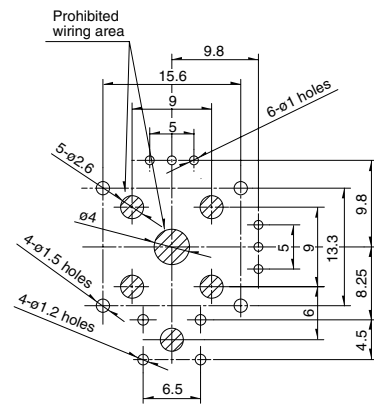
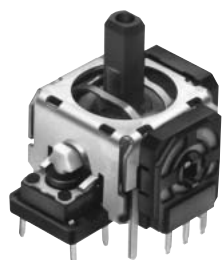
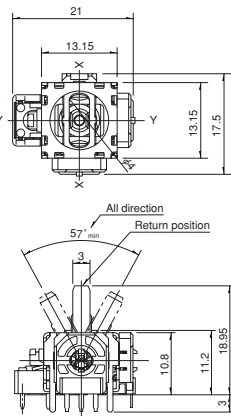
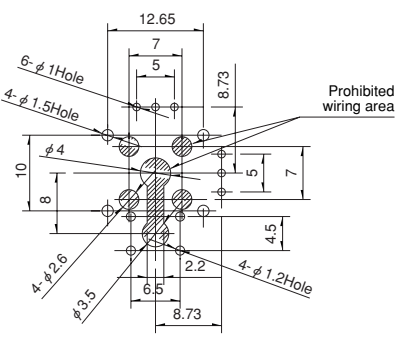
## Recommended Products List

Lever return mechanism	Center push	Total resistance (kΩ)	Resistance taper	Products No.	Minimum packing unit (pcs.)	Drawing No.
Without	Without	10	B (0B)	RKJXK1210002	500	1
				RKJXK122000D		
With	With			RKJXK122400Y	700	2
				RKJXP1224002		3
				RKJXV1224002	800	4

For other specifications, see P.281

### Dimensions

Unit:mm

No.	Photo	Style	PC board mounting hole dimensions (Viewed from mounting side)
1			
2			
3			
4			

- Detector
- Push
- Slide
- Rotary
- Encoders
- Power
- Dual-in-line Package Type
- Multi Control Devices
- TACT Switch™
- Custom-Products
- Variable Resistor Type
- Switch Type

## Products Specifications

Items			RKJXK	RKJXP	RKJXV	RKJXF
Operating temperature range			-10°C to +70°C			-10°C to +60°C
Electrical performance	Rated power		0.0125W			0.05W
	Directional resolution		Continuous			
	Insulation resistance		100MΩ min. 250V DC			
	Voltage proof		250V AC for 1min.			
Mechanical performance	Direction application force		8mN·m max. Without Lever return type 6±4mN·m Lever reset type	17±10mN·m		5±4.5mN·m
	Push application force		5.2±2.6N	6.4 <sup>+3.4</sup> <sub>-2.6</sub> N		—
	Solder heat resistance	Manual soldering	300°C max. 3s max.			
		Dip soldering	260±5°C, 5±1s			
Slider noise			300mV max. by JIS method			100mV max. by JIS method
Lever stopper strength			0.3N·m	—		0.3N·m
Lever play			5°max.			—
Lever strength			50N min. (Push/Pull)		98N min. (Push) 50N min. (Pull)	30N min. (Push/Pull)
Endurance	Operating life	Directions	100,000 cycles	2,000,000 cycles		50,000 cycles
		Center detent	1,000,000 cycles			—
Environmental test	Cold		-30±2°C for 96h			-10±2°C for 96h
	Long-term heat resistance		80±2°C for 96h			70±2°C for 96h
	Moisture resistance		60±2°C, 90 to 95%RH for 96h			40±2°C, 90 to 95% RH for 96h

Detector

Push

Slide

Rotary

Encoders

Power

Dual-in-line  
Package TypeMulti Control  
Devices

TACT Switch™

Custom-  
ProductsVariable  
Resistor TypeSwitch  
Type