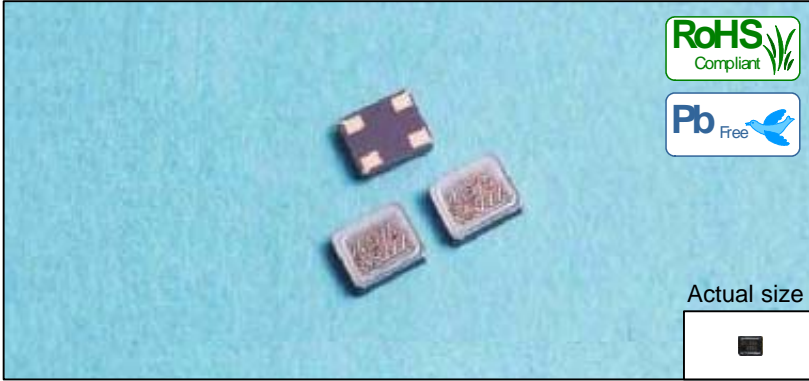


SURFACE MOUNT CRYSTAL FCX-04



Features

- Compact design (3.2mm×2.5mm×0.9mm Max., Weight : 0.02g).
- Ceramic package and metal lid assures extreme accuracy and high reliability by electron beam sealing.
- Lead-free soldering is available.
- Accommodates high precision frequency and temperature characteristics.
- Applications : Laptop PC, DSC, DVC, W-LAN, Bluetooth, Tuner module

Specifications

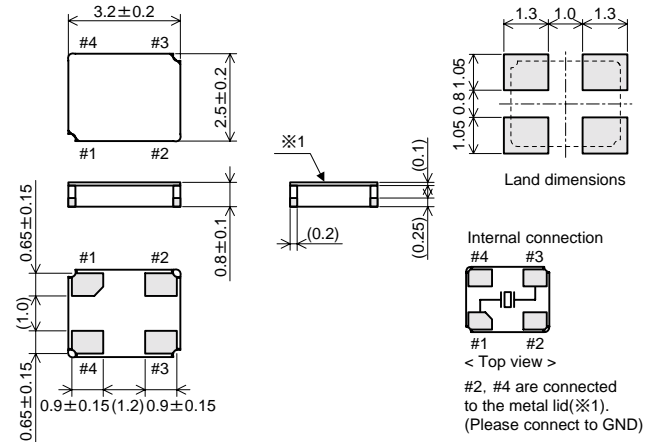
Item	Standard specifications			
Frequency range(MHz)	16.0 to 60.0			
Overtone order	Fundamental			
Frequency tolerance (ppm)(at 25°C)	±15, ±20, ±30, ±50, ±100			
Storage temperature range(°C)	-40 to +85			
Operating temperature range(°C)	0 to +50	-10 to +60	-20 to +70	-40 to +85
Frequency versus temperature characteristics(ppm) (Refer to 25°C)	±10 ±30 ±50 ±100	±15 ±30 ±50 ±100	±20 ±30 ±50 ±100	±30 ±50 ±100
Motional resistance (ESR)	As per below table			
Level of drive(μW)	200 Max.			
Load capacitance(pF)	8.0, 10.0			

Frequency(MHz)	Motional resistance(ESR)(Ω)
16.0 to 30.0	100 Max.
30.0 to 60.0	50 Max.

- Please consult us for customized specifications.
- All specifications and markings subjected to change without notice.

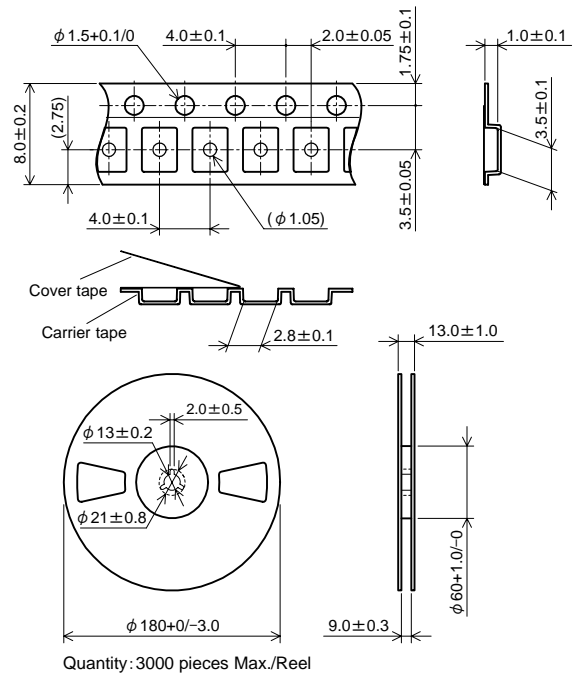
Dimensions

Unit: mm



Taping

Unit: mm



RIVER

RIVER ELETET CORPORATION

URL <http://www.river-ele.co.jp>

Head Office 2-1-1 Fujimigaoka Nirasaki Yamanashi Japan
Phone 81-551-22-1211 Fax 81-551-22-6645

Tokyo Office 4-40-14 Nishishinjuku Shinjuku-ku Tokyo Japan
Phone 81-3-3377-5444 Fax 81-3-3374-2865

Osaka Office Phone 81-6-6998-4888 Fax 81-6-6998-4899

River Electronics(Singapore)Pte.Ltd Phone 65-6258-7874 Fax 65-6258-7366
Taiwan River Co.,Ltd. Phone 886-2-8988-2811 Fax 886-2-2983-4785
Xi'an River Electronics Corporation Phone 86-29-88697274 Fax 86-29-88635134