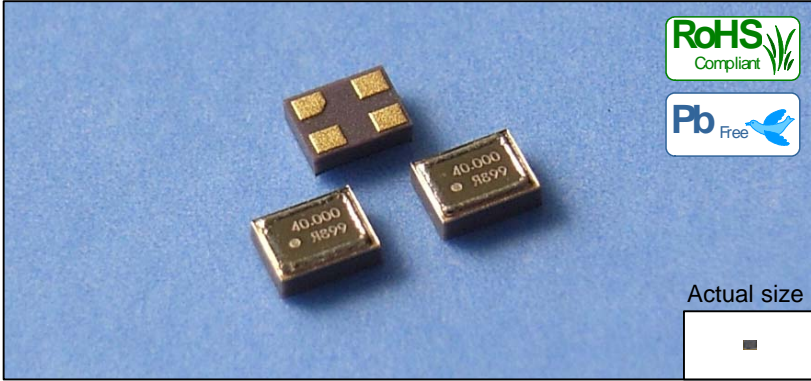


SURFACE MOUNT CRYSTAL CLOCK OSCILLATOR FCXO-07

NEW PRODUCTS!



Actual size

Specifications

Item	Standard specifications		
Frequency range(MHz)	1.0 to 80.0		
Frequency tolerance (ppm)(at 25°C)	±10, ±20, ±30, ±50, ±100		
V _{DD} sensitivity(ppm)	±1.0		
Storage temperature range(°C)	-40 to +85		
Operating temperature range(°C)	-10 to +60	-20 to +70	-40 to +85
Frequency versus temperature characteristics(ppm) (Refer to 25°C)	±10 ±20 ±30 ±50	±20 ±30 ±50 ±100	±30 ±50 ±100
Supply voltage(V)	3.3±0.33, 2.5±0.25, 1.8±0.18		
Current consumption (mA)	1(Typ.)/40MHz@3V (Depends on frequency and supply voltage)		
Output level(V)	CMOS		
Symmetry(%)	50±10, 50±5		

"Stand-by" CTRL table

Stand-by	Output
"H"	Output enabled.
"L"	Oscillation stop and High impedance output.

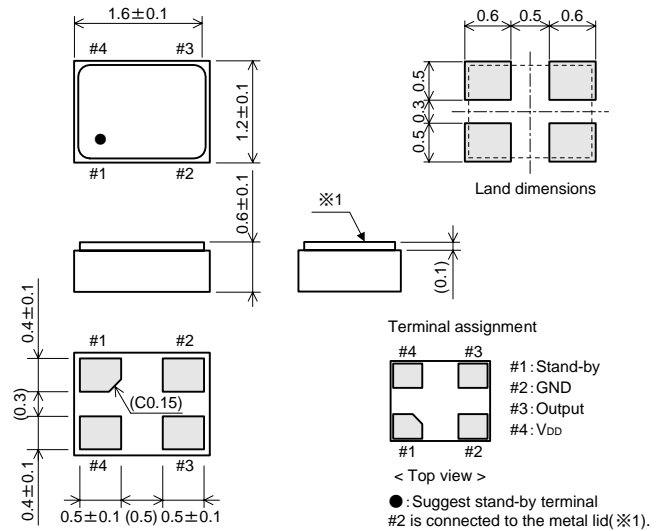
- Bypass capacitor should be connected between V_{DD} and GND due to the stabilized operation for the crystal oscillator.
- Please consult us for customized specifications.
- All specifications and markings subjected to change without notice.

Features

- Compact design
(1.6mm×1.2mm×0.7mm Max., Weight : 4.1mg).
- Ceramic package and metal lid assures extreme accuracy and high reliability by electron beam sealing.
- Lead-free soldering is available.
- Applications : Laptop PC, DSC, DVC, W-LAN

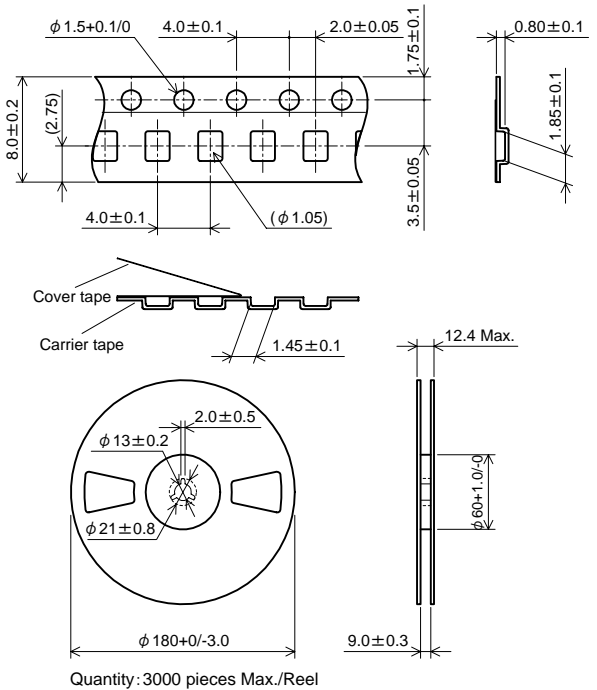
Dimensions

Unit:mm



Taping

Unit:mm



RIVER RIVER ELETEC CORPORATION
URL <http://www.river-ele.co.jp>

Head Office 2-1-1 Fujimigaoka Nirasaki Yamanashi Japan
Phone 81-551-22-1211 Fax 81-551-22-6645
Tokyo Office 4-40-14 Nishishinjuku Shinjuku-ku Tokyo Japan
Phone 81-3-3377-5444 Fax 81-3-3374-2865
Osaka Office Phone 81-6-6998-4888 Fax 81-6-6998-4899

River Electronics(Singapore)Pte.Ltd Phone 65-6258-7874 Fax 65-6258-7366
Taiwan River Co.,Ltd. Phone 886-2-8988-2811 Fax 886-2-2983-4785
Xi'an River Electronics Corporation Phone 86-29-88697274 Fax 86-29-88635134