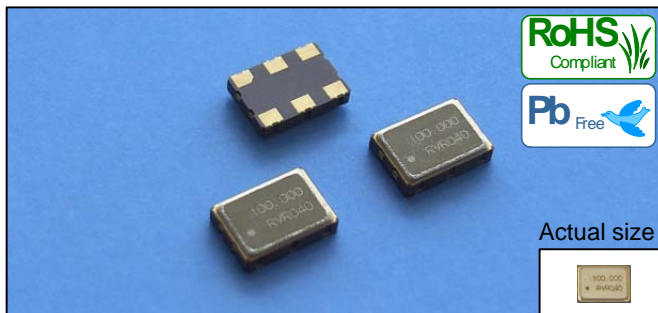


SURFACE MOUNT CRYSTAL CLOCK OSCILLATOR FCXO-75PE



Features

- Low Jitter(non-PLL)
- Ceramic package and metal lid assures extreme accuracy and high reliability.
- Lead-free soldering is available.
- Applications: 1/10 Gigabit Ethernet, 2/4/10G Fibre Channel, SAS, Server & Storage platforms, SONET/SDH linecards, PON devices, HD Video Systems

Specifications

Item	Symbol	Specifications			
		Min.	Typ.	Max.	Note
Frequency	F0	50MHz		220 MHz	As specified
Frequency Stability	FT	±20ppm		±50 ppm	See ※1 below
Storage temperature range		-55°C		+125°C	
Operating temperature range	TR	-20°C		+70°C	Commercial(standard)
		-40°C		+85°C	Industrial(standard)
Supply voltage	Vcc	2.97V	3.30V	3.63V	or 2.5V±10%
Current consumption	Icc/OE		60mA	88mA	
Disable current	Icc/OD			0.03mA	
Logic type	LT	PECL			
Output voltage "0"level	VOL			Vcc-1.620V	0 to +85°C
				Vcc-1.555V	-40°C to 0°C
Output voltage "1"level	VOH	Vcc-1.025V			0 to +85°C
		Vcc-1.085V			-40°C to 0°C
Output load		See Test Circuit			output requires termination
Symmetry	SYM	45%		55%	Mesured 50% V _{DD}
Rise time / Fall time	Tr/Tf		500ps	850ps	Mesured 20/80% of waveform
Phase jitter (Offset frequency:12kHz to 20MHz)	RMS(1-σ)		0.3ps	0.6ps	F0:50~162MHz
			0.25ps	1.0ps	F0:162~220MHz

※1 Stability includes all combinations of operating temperature ,load changes , rated input (supply) voltage changes,initial calibration tolerance(25°C),aging(5 years at 40°C average effective ambient temperature),shock and vibration.

Output Enable /Disable Function

Item	Min.	Typ.	Max.	Note
Input Voltage(OE pin),Output Enable	2.2V			or open
Input Voltage(OE pin),Output Disable			0.8V	Outputs disabled to Hi-Z
Output Disabel Delay			200ns	
Output Enabel Delay			10ms	

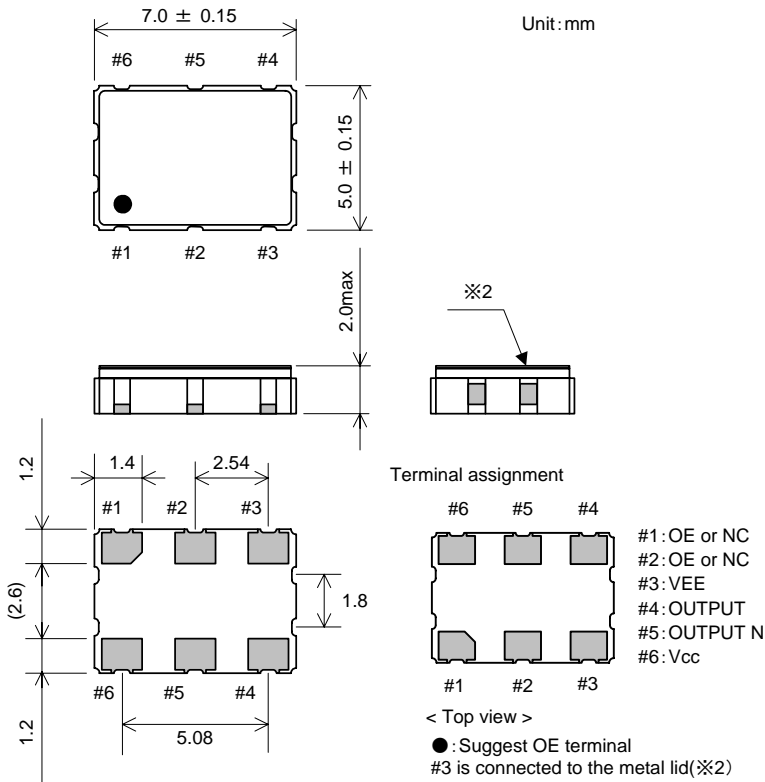
- Bypass capacitor should be connected between V_{DD} and GND due to the stabilized operation for the crystal oscillator.
- Please consult us for customized specifications.
- All specifications and markings subjected to change without notice.

RIVER RIVER ELETEC CORPORATION
URL <http://www.river-ele.co.jp>

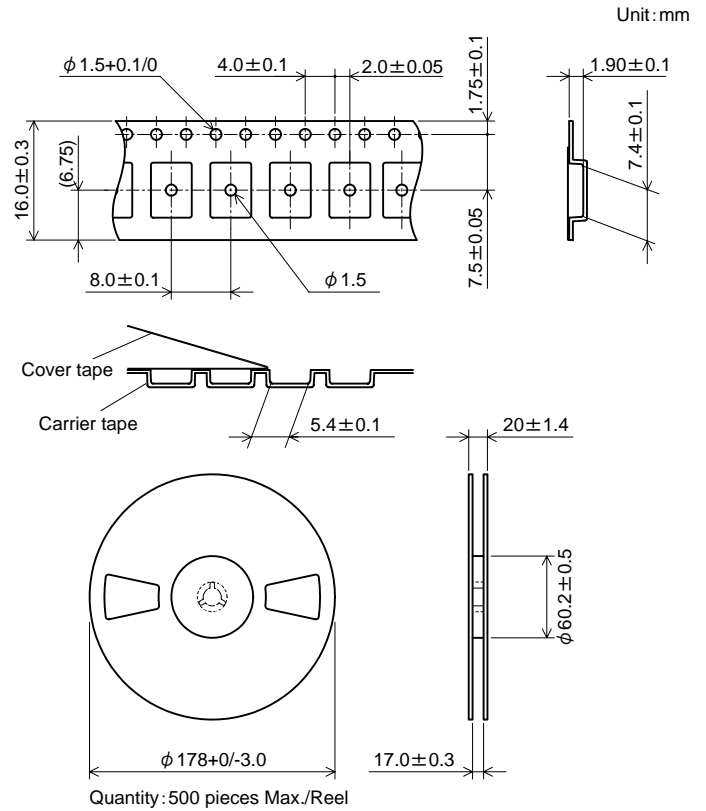
Head Office 2-1-1 Fujimigaoka Nirasaki Yamanashi Japan
Phone 81-551-22-1211 Fax 81-551-22-6645
Tokyo Office 4-40-14 Nishishinjuku Shinjuku-ku Tokyo Japan
Phone 81-3-3377-5444 Fax 81-3-3374-2865
Osaka Office Phone 81-6-6998-4888 Fax 81-6-6998-4899

River Electronics(Singapore)Pte.Ltd Phone 65-6258-7874 Fax 65-6258-7366
Taiwan River Co.,Ltd. Phone 886-2-8988-2811 Fax 886-2-2983-4785
Xi'an River Electronics Corporation Phone 86-29-88697274 Fax 86-29-88635134

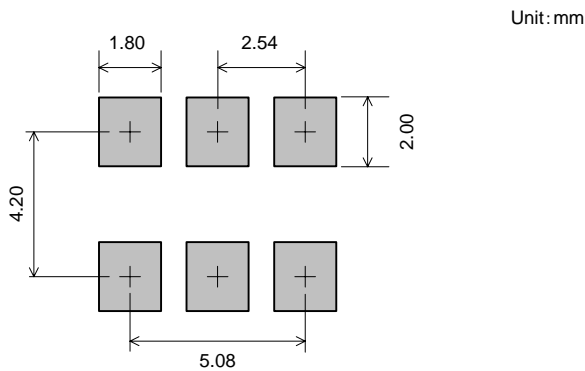
Dimensions



Taping



Land dimensions



Test Circuit

