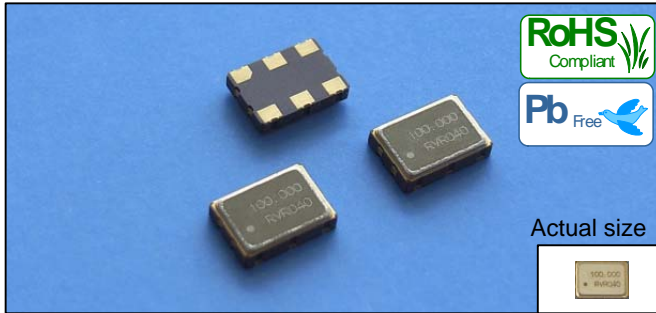


# SURFACE MOUNT CRYSTAL CLOCK OSCILLATOR FCXO-75HC



## Features

- Provides 100MHz HCSL output for interfacing to standard PCIe devices.
- Low Jitter(non-PLL)
- Ceramic package and metal lid assures extreme accuracy and high reliability.
- Lead-free soldering is available.
- Applications: PCI Express, Server, SAS, Network Switch/ Router, SATA, Telecom Switch, Graphics Card, Media Box

## Specifications

Item	Symbol	Specifications			
		Min.	Typ.	Max.	Note
Frequency	F0	100 MHz			As specified
Frequency Stability	FT	±50 ppm			See ※1 below
Storage temperature range		-55°C		+125°C	
Operating temperature range	TR	-40°C		+85°C	As specified
Supply voltage	Vcc	2.97V	3.30V	3.63V	
Current consumption	Icc/OE		50mA	60mA	
Disable current	Icc/OD			25mA	
Logic type	LT	HCSL			
Output voltage "0"level	V <sub>OL</sub>	-0.15V		0.15V	
Output voltage "1"level	V <sub>OH</sub>		0.70V	0.85V	
Output load		See Test Circuit			output requires termination
Symmetry	SYM	45%		55%	Mesured 50% of waveform
Rise time / Fall time	T <sub>R</sub> /T <sub>F</sub>			700ps	Mesured from V <sub>OL</sub> =0.175V to V <sub>OH</sub> =0.525V
Phase jitter	RMS(1-σ)			1ps	Offset frequency: 12kHz to 20MHz
Output Phase Jitter-PCIe Gen2			1.8ps RMS	2.5ps RMS	As defined by PCI-SIG for PCIeG2 reference clock

※1 Stability includes all combinations of operating temperature ,load changes , rated input (supply) voltage changes,initial calibration tolerance(25°C),aging(5 years at 40°C average effective ambient temperature),shock and vibration.

### Output Enable /Disable Function

Item	Min.	Typ.	Max.	Note
Input Voltage(OE pin),Output Enable	2.2V			or open
Input Voltage(OE pin),Output Disable			0.8V	Outputs disabled to Hi-Z
Output Disabel Delay			200ns	
Output Enabel Delay			10ms	

- Bypass capacitor should be connected between V<sub>DD</sub> and GND due to the stabilized operation for the crystal oscillator.
- Please consult us for customized specifications.
- All specifications and markings subjected to change without notice.

RIVER

RIVER ELETEC CORPORATION

URL <http://www.river-ele.co.jp>

Head Office 2-1-1 Fujimigaoka Nirasaki Yamanashi Japan  
 Phone 81-551-22-1211 Fax 81-551-22-6645

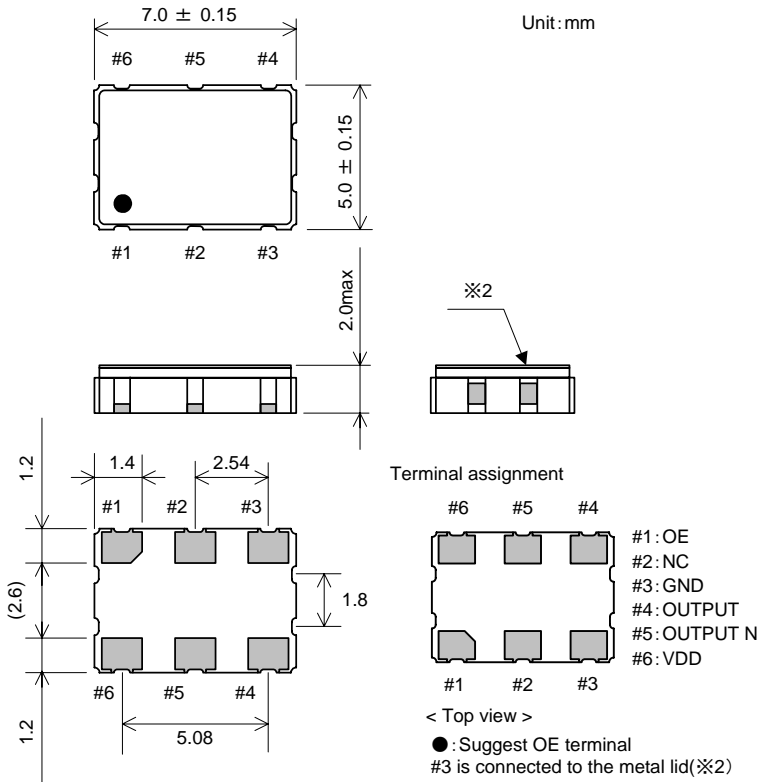
Tokyo Office 4-40-14 Nishishinjuku Shinjuku-ku Tokyo Japan  
 Phone 81-3-3377-5444 Fax 81-3-3374-2865

Osaka Office Phone 81-6-6998-4888 Fax 81-6-6998-4899

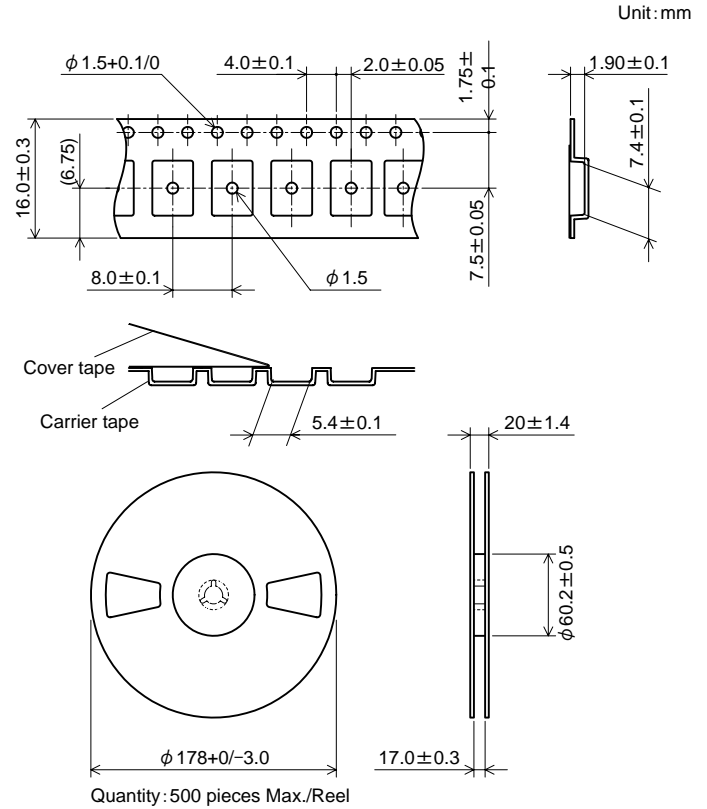
River Electronics(Singapore)Pte.Ltd Phone 65-6258-7874 Fax 65-6258-7366  
 Taiwan River Co.,Ltd. Phone 886-2-8988-2811 Fax 886-2-2983-4785

Xi'an River Electronics Corporation Phone 86-29-88697274 Fax 86-29-88635134

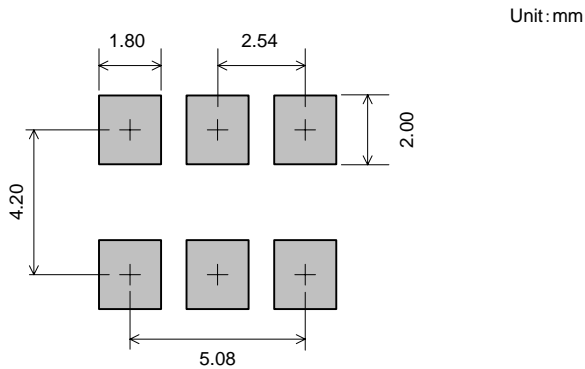
## Dimensions



## Taping



## Land dimensions



## Test Circuit

