



# Y14 Series Relay

## FEATURES

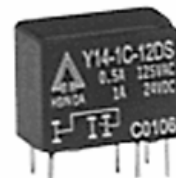
- UL safety approval.
- 1 Amps super miniature relay.
- 1 Form C (SPDT) contact.
- Sensitivity power in small package.
- Nominal power 150mW~200mW.
- DIL pitch terminal.
- Washable Type (ultrasonic cleaning is not recommended).

## CONTACT RATINGS

- Contact Arrangement .....1 Form C (SPDT)
- Max. Switching Power..... 62.5VA 30W
- Max. Switching Voltage.....125VAC 60VDC
- Max. Switching Current.....1A
- Contact Resistance..... $\leq 100\text{m}\Omega$
- Rating Load.....0.5A/125VAC 1A/24VDC
- Contact Material.....Ag Alloy

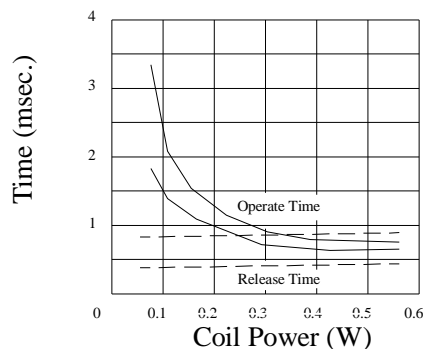
## CHARACTERISTICS

- Electrical Life..... $1 \times 10^5$
- Mechanical Life..... $1 \times 10^7$
- Initial Insulation Resistance  
.....Min. 100M $\Omega$  500VDC
- Contact Resistance (Initial)..... $\leq 100\text{m}\Omega$
- Operate Time..... $\leq 5\text{ms}$
- Release Time..... $\leq 5\text{ms}$
- Initial Dielectric Strength  
.....50/60Hz 400VAC 1 min. (between open contacts)  
.....50/60Hz 1000VAC 1 min. (between contacts and coil)
- Vibration  
.....Malfunction: 10 to 55Hz at Double Amplitude of 1.5mm  
.....Destructive: 10 to 55Hz at Double Amplitude of 1.5mm
- Shock Resistance  
.....Malfunction: 10G (11ms) / Destructive: 100G (6ms)
- Ambient Temperature..... $-30^\circ\text{C} \sim +70^\circ\text{C}$
- Relative Humidity.....35%~85% at  $40^\circ\text{C}$
- Unit Weight.....Approx. 2.2g

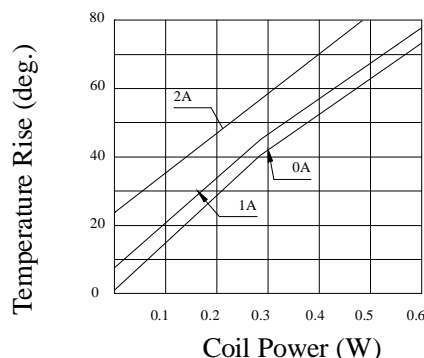


UL FILE NO:E169563

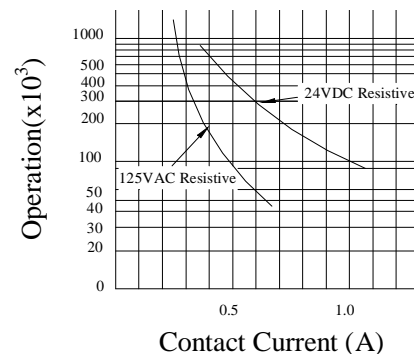
## Y14 Referential Data Timing



## Coil Temperature Rise



## Life Curves



## ORDERING INFORMATION

Y14 H - 1C - 12 D S  
 1 2 3 4 5 6

Enclosure.....Nil = General Type

.....S = Sealed Type

Coil Type.....D: DC

Coil Voltage.....3~24V

Contact Arrangement.....1C = 1 Form C (SPDT)

Coil Sensitivity.....Nil = Standard Type

.....H = High Sensitive Type

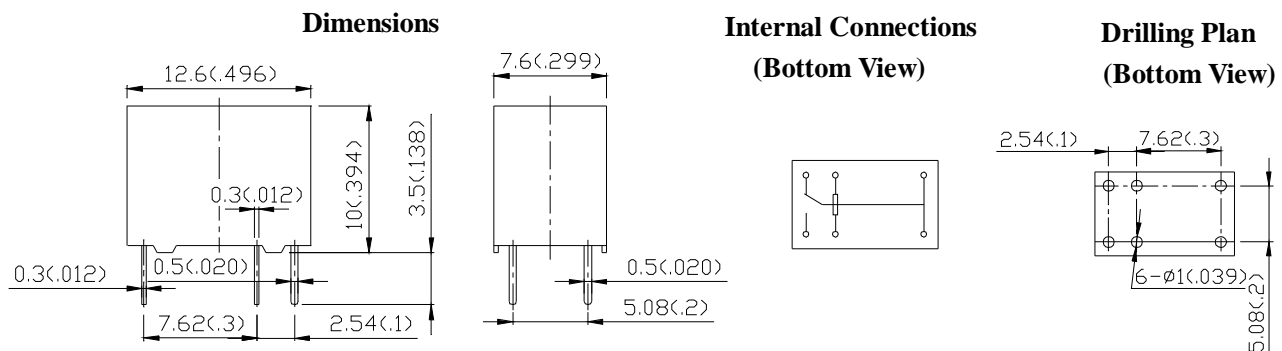
Model Number.....Y14

## COIL RATINGS (at 20°C)

COIL TYPE	Coil Nominal Voltage (V)	Coil Resistance ( $\Omega \pm 10\%$ )	Pick-Up Voltage (V) $\leq$	Drop-Out Voltage (V) $\geq$	Nominal Current (mA)
DC Standard Coils (200 mW)	3	45	2.40	0.3	66.7
	5	125	4.00	0.5	40.0
	6	180	4.80	0.6	33.3
	9	405	7.20	0.9	22.2
	12	720	9.60	1.2	16.6
	24	2880	19.20	2.4	8.3
DC High Sensitive Coils (150 mW)	3	60	2.40	0.3	50.0
	5	167	4.00	0.5	29.9
	6	240	4.80	0.6	25.0
	9	540	7.20	0.9	16.7
	12	960	9.60	1.2	12.5
	24	3840	19.20	2.4	6.3

\* Max Continuous Voltage at 20°C: 110% of Coil Nominal Voltage

## OUTLINE DIMENSIONS



REMARK: Tolerance of outline dimensions:  $\pm 0.2(.008)$ .

UNIT: mm (inch)