

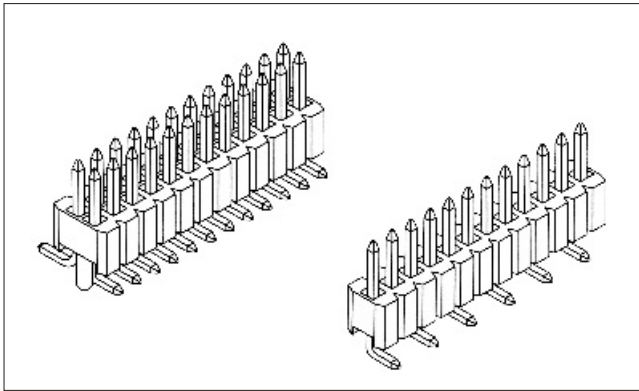
**Pin Header**  
Single Row / Dual Row  
Straight S.M.T Type

Pitch:1.27mm

Series  
331 ~ 333  
335 ~ 339

**woxconn**

Http://www.woxconn.com

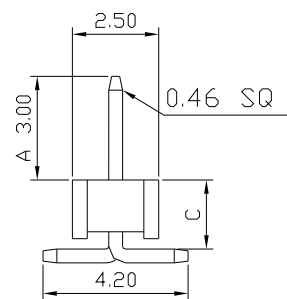
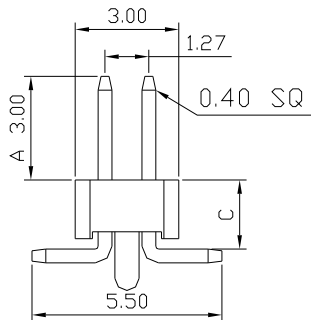
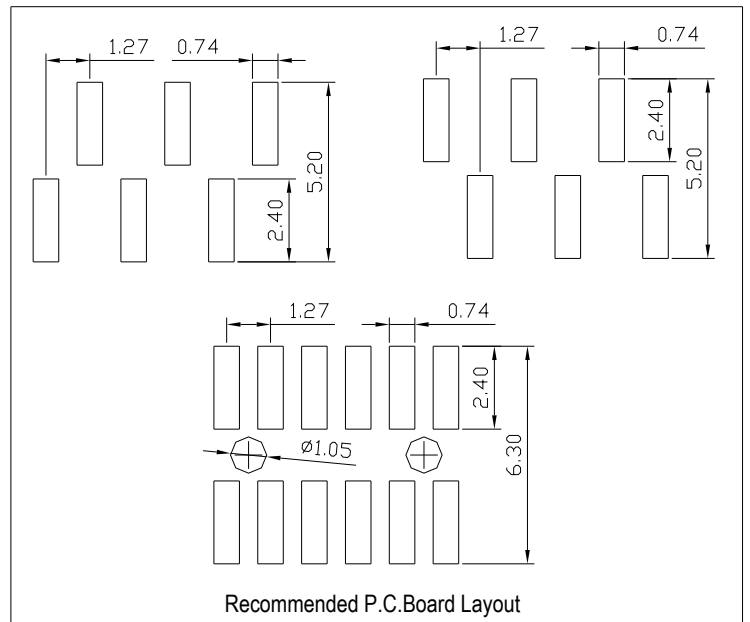
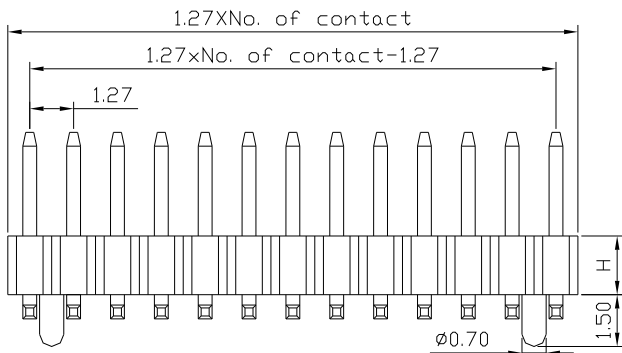
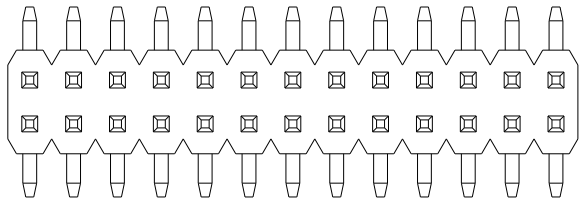
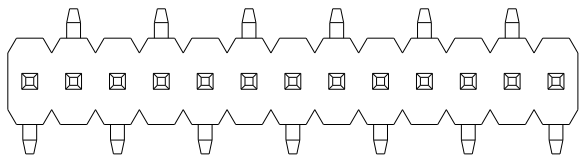
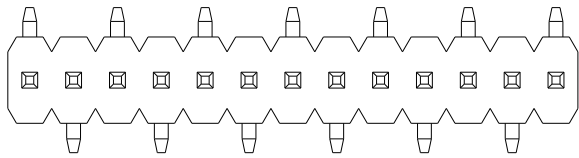


**SPECIFICATIONS:**

Current Rating: 1.0 AMP  
Contact Resistance: 30m• Max  
Insulation Resistance: 1000M• Min  
Withstand Voltage: 300VAC/minute  
Operation Temperature: -40°C to +105°C

**MATERIALS:**

Contact Material: Copper Alloy  
Contact Plating: Gold or Tin over 50μ " Ni  
Insulator Material: Polyester(UL94V-0)  
Standard: PA 46



**Ordering Code**

① ② ③ ④ ⑤ ⑥ ⑦ ⑧ ⑨ ⑩  
3 3 X X XX M X X 1 XXX

- ① Series No.:  
3= Pin Header
- ② Pitch: 3= 1.27mm
- ③ Insulator Height:  
1 = 1.00mm    2 = 2.00mm  
3 = 2.50mm    5 = 1.50mm  
6 = 1.60mm    7 = 1.70mm  
8 = 0.80mm    9 = 0.65mm

- ④ Dip Spacing:  
1=Single row  
2=Double row
- ⑤ Number of Contacts:  
Single row =01 to 40  
Double row=02 to 80
- ⑥ Tail & Mounting Style:  
M=Straight S.M.T type
- ⑦ Contact Plated  
0=Tin  
1=Gold Flash  
2=Gold 3u"  
3=Gold 5u"  
4=Gold 10u"  
5=Gold 15u"  
6= Gold 30u"
- ⑧ Material Type  
2=LCP  
3=Nylon-66  
4=Nylon-6T  
5=PA46
- ⑨ Tiers of Body  
1 = Singletier  
2 = Doubletier  
3 = Triple tier
- ⑩ Pin Length  
XXX=A+C

Due to technical progress, all the information provided is subject to change without prior notice.