

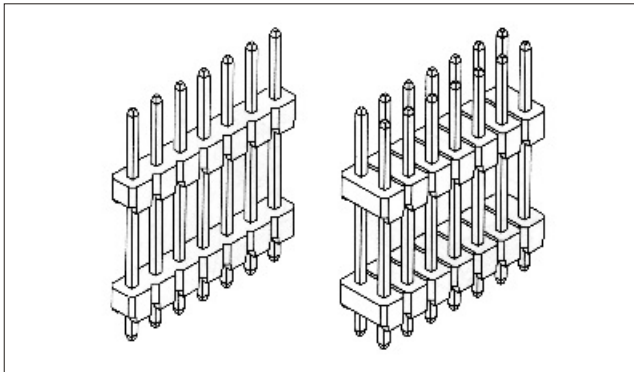
Pin Header

Board Spacing: Single Row Dual Row
Straight Type

Series 2.54mm
313

WOXCONN

Http://www.woxconn.com

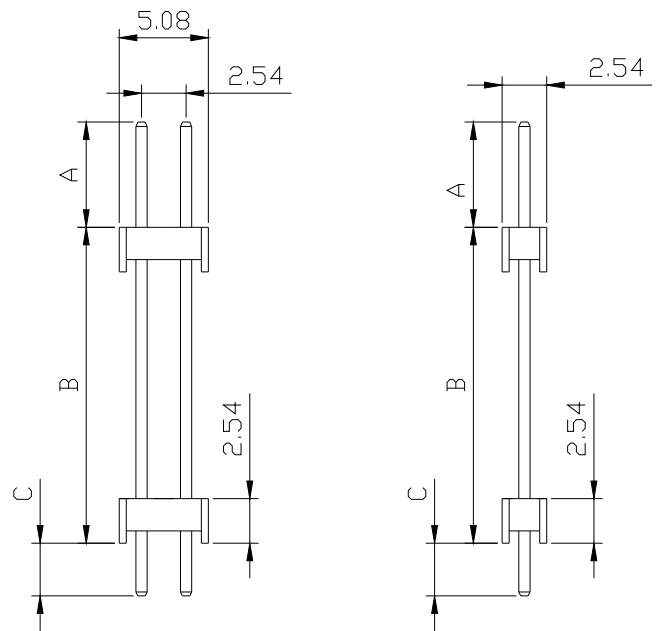
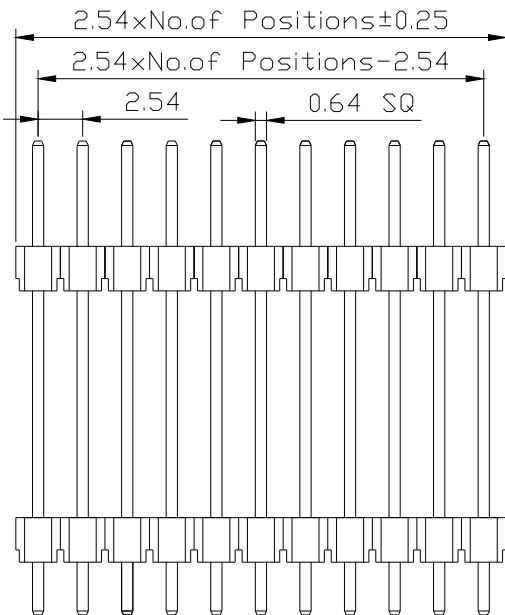
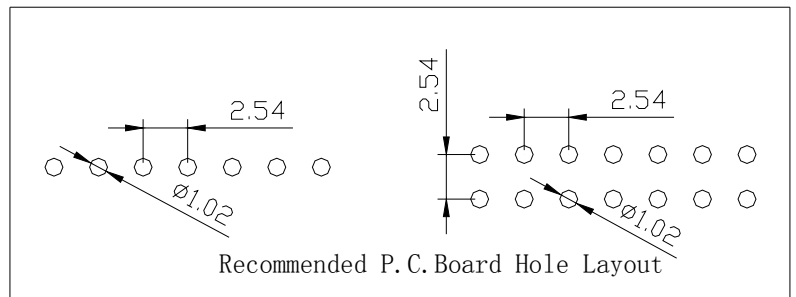
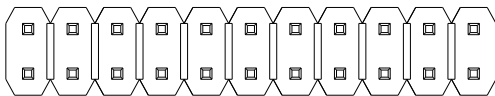


SPECIFICATIONS:

Current Rating: 3.0 AMP
Contact Resistance: 30mΩ Max
Insulation Resistance: 1000MΩ Min
Withstand Voltage: 600VAC/minute
Operation Temperature: -40°C to +105°C

MATERIALS:

Contact Material: Copper Alloy
Contact Plating: Gold or Tin over 50μ" Ni
Insulator Material: Polyester(UL94V-0)
Standard: PBT



Ordering Code

① ② ③ ④ ⑤ ⑥ ⑦ ⑧ ⑨ ⑩
3 1 3 X XX S X X 2 XXX

① Series No.:
3= Pin Header

③ Insulator Height:
3 = 2.50mm

② Pitch:= 2.54mm

④ Dip Spacing:
1=Single row
2=Double row

⑤ Number of Contacts:
Single row=01 to 40
Double row=02 to 80

⑥ Tail Mounting Style:
S=Straight Type

⑦ Contact Plated
0=Tin
2=Gold 3u"
4=Gold 10u"
6=Gold 30u"

⑧ Material Type
0=PPS
1=PBT
2=LCP
3=Nylon-66
4=Nylon-6T
5=PC

⑨ Tiers of Body
1=Gold F1 = Single tier
2 = Double tier
3 = triple tier

⑩ Pin Length
XXX=A+B+C

Due to technical progress, all information provided is subject to change without prior notice.