

Ejector Header

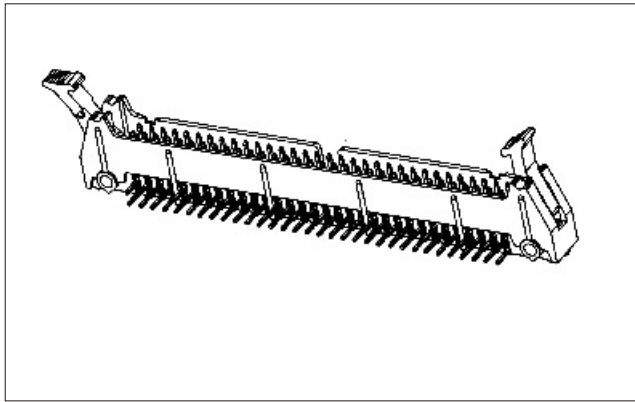
Pitch: 2.54 x 2.54mm

Straight Type / Right Angle Dip Type

Series
391

woxconn

Http://www.woxconn.com

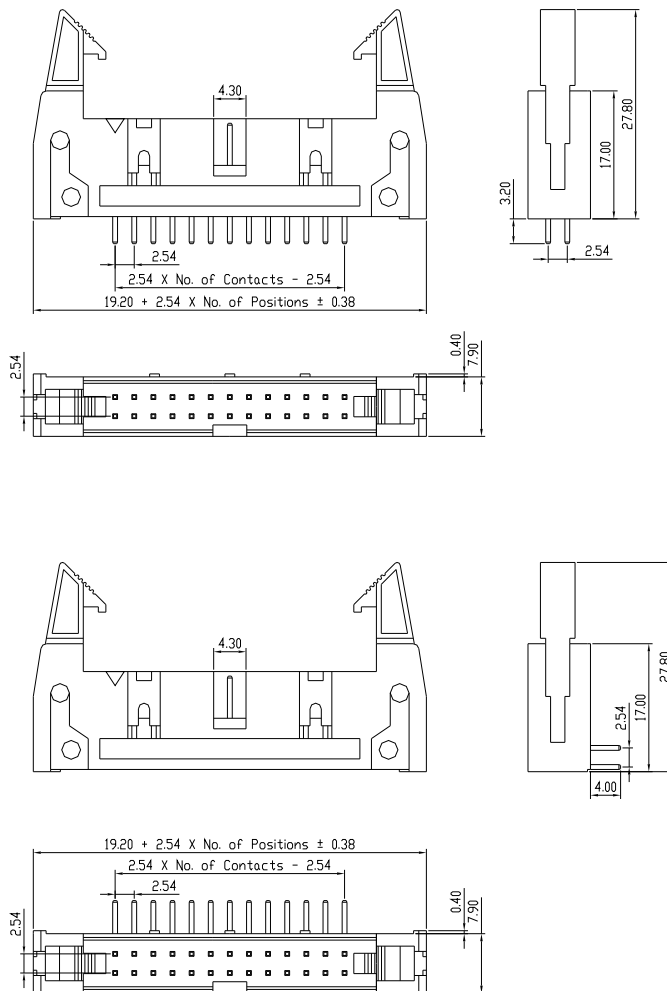


SPECIFICATIONS:

Current Rating: 3.0 AMP
 Contact Resistance: 30mΩ Max
 Insulation Resistance: 1000MΩ Min
 Withstand Voltage: 600VAC/minute
 Operation Temperature: -40°C to +105°C

MATERIALS:

Contact Material: Copper Alloy
 Contact Plating: Gold or Tin over 50μ Ni
 Insulator: Glass Filled Polyester(UL94V-0)
 Standard: PBT



Ordering Code

① ② ③ ④ ⑤ ⑥ ⑦ ⑧ ⑨
 30 2 5 XX X 0 X X 0

① Series No. :
 30 = Board Header
 r
 ② Pitch:
 1 = 2.54 & 2.54mm

③ Insulator Height: 0 = Straight
 ④ Number of Contacts: 10 Pin 64 Pin
 ⑤ Tail Mounting Style: S=Straight Dip, R=Right Angle Dip Type
 ⑥ Contact Plated: 0=Tin, 1=Gold Flash, 2=Gold 3u", 3=Gold 5u", 4=Gold 10u", 5=Gold 15u", 6=Gold 30u"
 ⑦ Material Type: 0=PPS, 1=PBT, 2=LCP, 3=Nylon-66, 4=Nylon-6T, 5=PA46
 ⑧ Color: B=Black, U=Blue, R=Red, W=White, Y=Yellow, G=Grey
 ⑨ Customer Request

Due to technical progress, all information provided is subject to change without prior notice.