

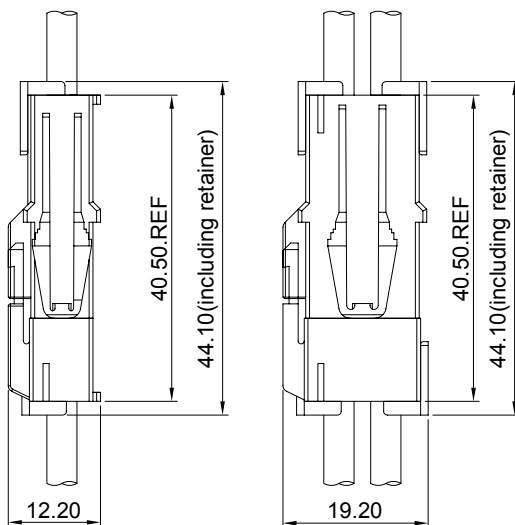
## Specifications

Current rating:20A AC,DC  
Voltage rating:600V AC,DC  
Temperature range:-40°C~+105°C  
Contact resistance:7mΩ Max.  
Insulation resistance:1000MΩ Min.  
Withstanding voltage:2000V AC/minute  
\*Contact CJT for details\*

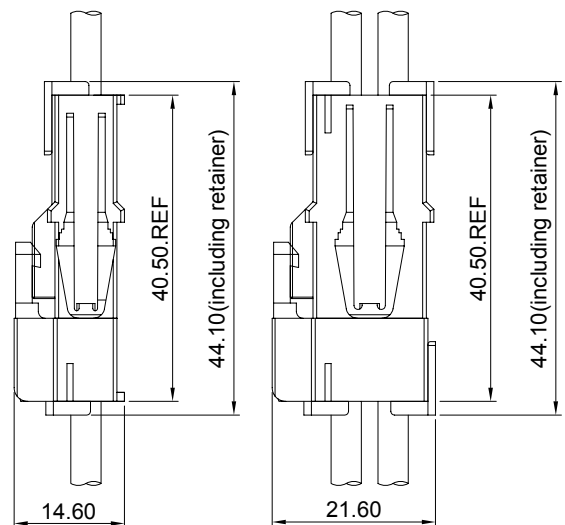
Standards



## Assembly layout

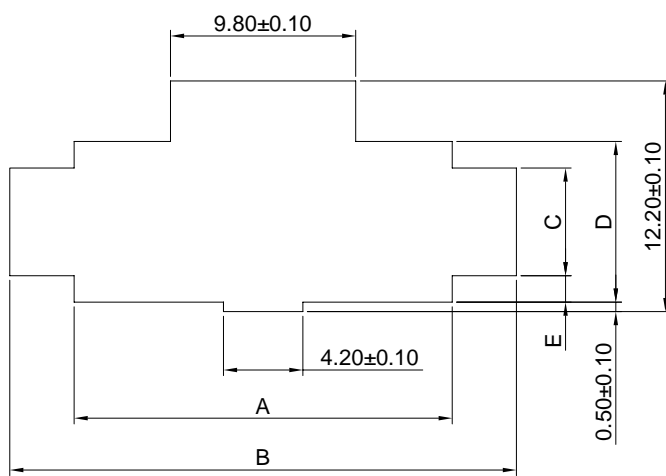


### Inter-housing lock

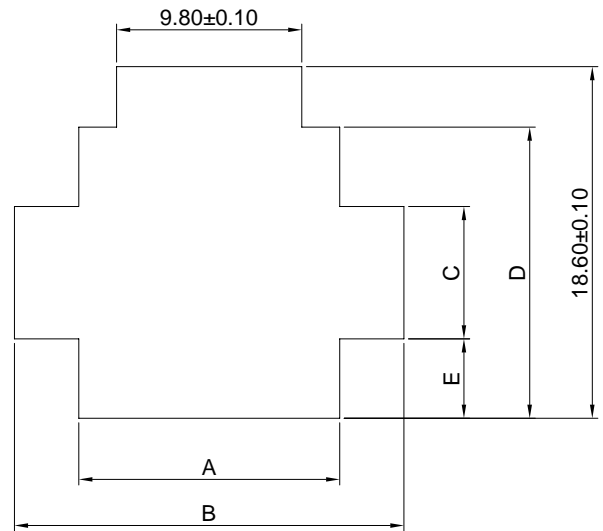


### Outer-housing lock

## Panel hole layout



Shape I



Shape II

PART NO.	Panel hole shape	Panel hole Dimensions					applicable panel thickness (mm)
		A	B	C	D	E	
C6201HM-2P	I	13.80	20.60	5.70	8.50	1.40	0.5-2.0
C6201HM-3P	I	20.00	26.80	5.70	8.50	1.40	
C6201HM-4P	I	26.20	33.00	5.70	8.50	1.40	
C6201HM-2X2P	II	13.80	20.60	7.00	15.40	4.20	
C6201HM-2X3P	II	20.00	26.80	7.00	15.40	4.20	
C6201HM-2X4P	II	26.20	33.00	7.00	15.40	4.20	
C6201HM-2X6P	II	38.90	45.40	7.00	15.40	4.20	

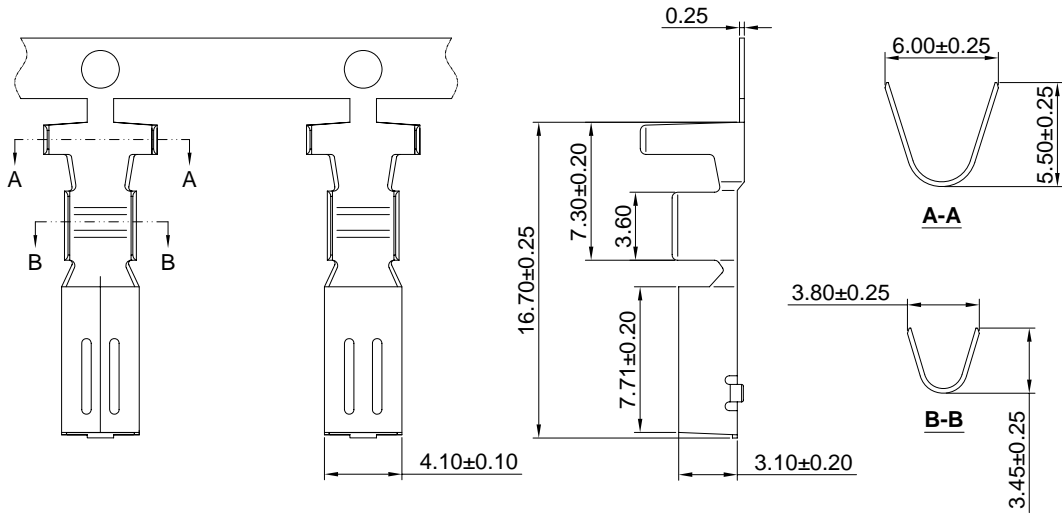
- Note: 1. Punch holes in the panel according to the sketch and table shown above. Burrs must be removed  
 2. The strength of the panel must be considered when punching two or more holes.  
 3. The connector must be inserted from the same side as the hole is punched

## C6201F-T

6.20mm pitch Crimp Terminal

### Reference Informations:

\*Used in CJT C6201HF series Housing



### Ordering information & Specifications:

Unit:mm

Part NO	Wire Range	Insulation O.D.	Material	Finish	Qty/reel
C6201F-TP	AWG#14-#20	4.10mm(max)	Phosphor Bronze	Tin over Nickel	2,000 PCS
C6201F-GP	AWG#14-#20	4.10mm(max)	Phosphor Bronze	Gold over Nickel	2,000 PCS

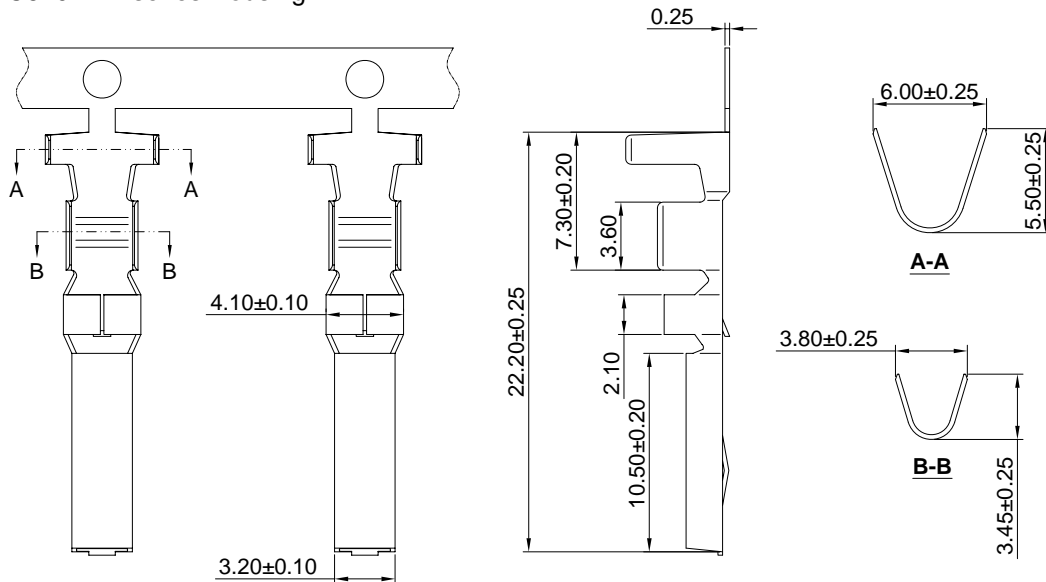
Optional Gold plating available but MOQ requested

## C6201M-T

6.20mm pitch Crimp Terminal

### Reference Informations:

\*Used in CJT C6201HM series Housing



### Ordering information & Specifications:

Unit:mm

Part NO	Wire Range	Insulation O.D.	Material	Finish	Qty/reel
C6201M-TP	AWG#14-#20	4.10mm(max)	Phosphor Bronze	Tin over Nickel	2,000 PCS
C6201M-GP	AWG#14-#20	4.10mm(max)	Phosphor Bronze	Gold over Nickel	2,000 PCS

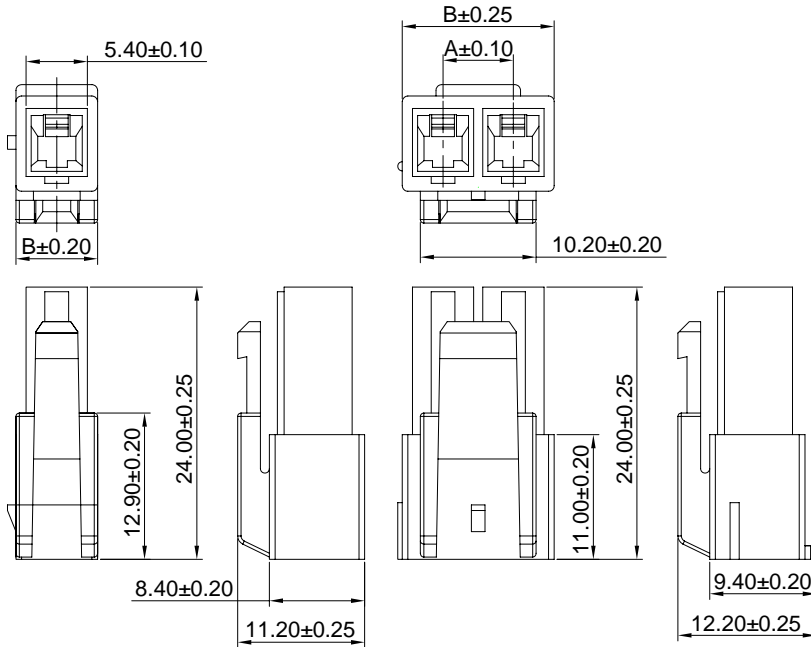
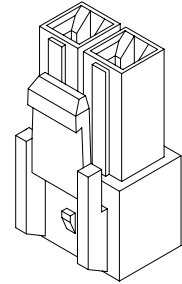
Optional Gold plating available but MOQ requested

## C6201HF

6.20mm pitch Housing

### Reference Informations:

- \*Material:Nylon 66,UL94V-0
- \*Suitable CJT C6201F series Terminal
- \*Mates with CJT C6201HM series Housing
- \*Color:Natural(translucent or white)



C6201HF-1P

C6201HF-2P

### Ordering Information & Dimensions:

PART NO.	Dimensions	
	A	B
C6201HF-1P	-----	7.20
C6201HF-2P	6.20	13.40
C6201HF-3P	12.40	19.60

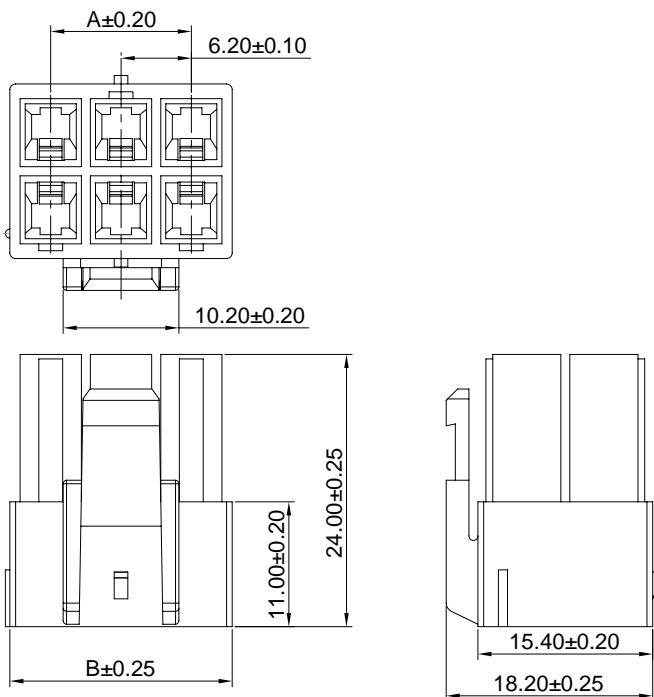
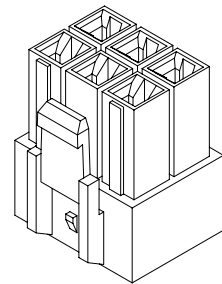
Unit: mm

## C6201HF-2

6.20mm pitch Housing

### Reference Informations:

- \*Material:Nylon 66,UL94V-0
- \*Suitable CJT A6201M series Terminal
- \*Mates with CJT C6201HM series Housing
- \*Color:Natural(translucent or white)



### Ordering Information & Dimensions:

PART NO.	Dimensions	
	A	B
C6201HF 2X2P	6.20	13.40
C6201HF 2X3P	12.40	19.60
C6201HF 2X4P	18.60	25.80
C6201HF 2X6P	31.00	38.20

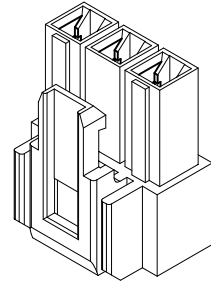
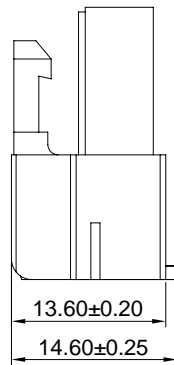
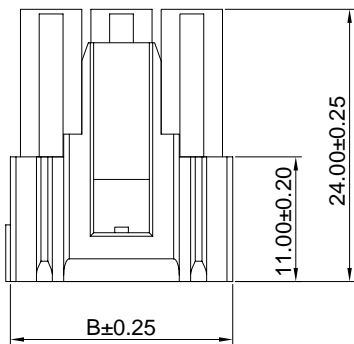
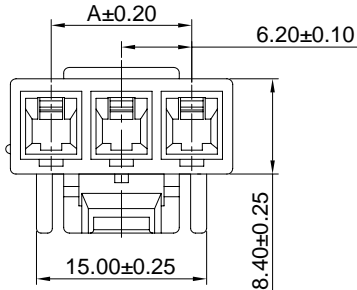
Unit: mm

## C6201HFA

6.20mm pitch Housing

### Reference Informations:

- \*Material:Nylon 66,UL94V-0
- \*Suitable CJT C6201F series Terminal
- \*Mates with CJT C6201HM series Housing
- \*Color:Natural(translucent or white)



### Ordering Information & Dimensions:

PART NO.	Dimensions	
	A	B
C6201HFA-2P	6.20	13.40
C6201HFA-3P	12.40	19.60
C6201HFA-4P	18.60	25.80

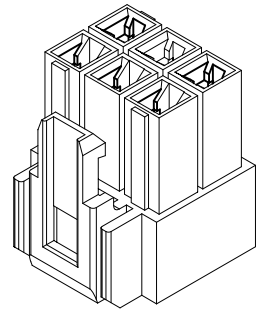
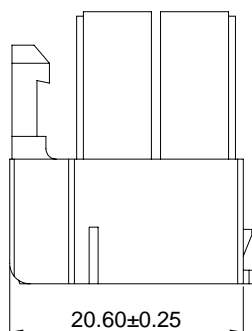
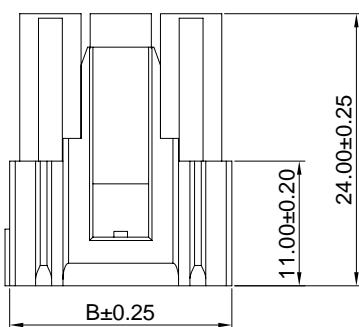
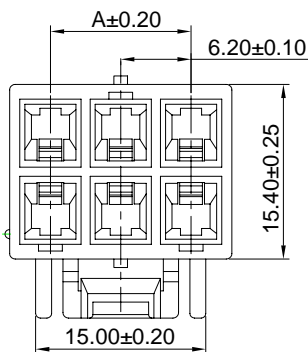
Unit: mm

## C6201HFA-2

6.20mm pitch Housing

### Reference Informations:

- \*Material:Nylon 66,UL94V-0
- \*Suitable CJT C6201F series Terminal
- \*Mates with CJT C6201HM series Housing
- \*Color:Natural(translucent or white)



### Ordering Information & Dimensions:

PART NO.	Dimensions	
	A	B
C6201HFA-2X2P	6.20	13.40
C6201HFA-2X3P	12.40	19.60
C6201HFA-2X4P	18.60	25.80
C6201HFA-2X6P	31.00	38.20

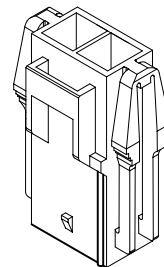
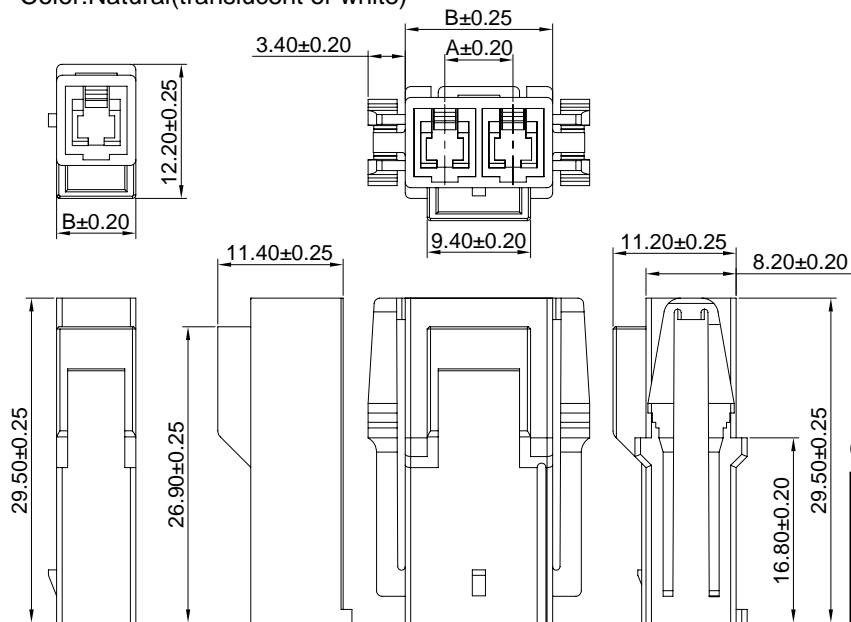
Unit: mm

## C6201HM

6.20mm pitch Housing

### Reference Informations:

- \*Material:Nylon 66,UL94V-0
- \*Suitable CJT C6201M series Terminal
- \*Mates with CJT C6201HF series Housing
- \*Color:Natural(translucent or white)



### Ordering Information & Dimensions:

PART NO.	Dimensions	
	A	B
C6201HM-1P	-----	7.20
C6201HM-2P	6.20	13.40
C6201HM-3P	12.40	19.60
C6201HM-4P	18.60	25.80

Unit: mm

C6201HM-1P

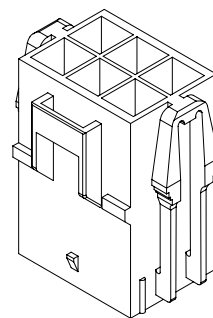
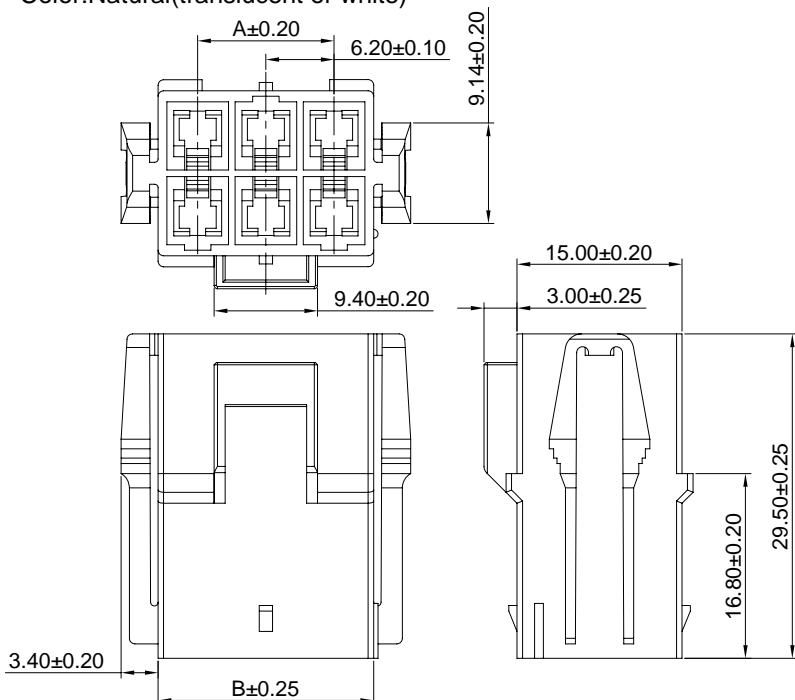
C6201HM-2P

## C6201HM-2

6.20mm pitch Housing

### Reference Informations:

- \*Material:Nylon 66, UL94V-0
- \*Suitable CJT C6201M series Terminal
- \*Mates with CJT C6201HF series Housing
- \*Color:Natural(translucent or white)



### Ordering Information & Dimensions:

PART NO.	Dimensions	
	A	B
C6201HM-2X2P	6.20	13.40
C6201HM-2X3P	12.40	19.60
C6201HM-2X4P	18.60	25.80
C6201HM-2X6P	31.00	38.20

Unit: mm

## C6201S

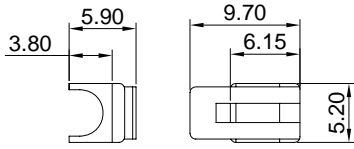
6.20mm pitch Retainer

### Reference Informations:

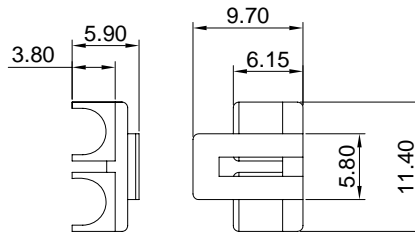
\*Material:Nylon 66,UL94V-0

\*Mates with CJT C6201 series Housing

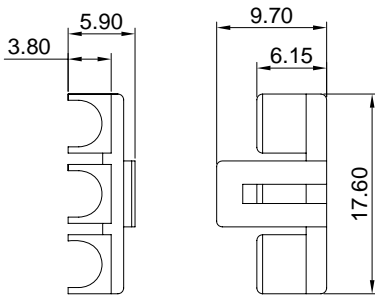
\*Color:(Ivory or Blue)



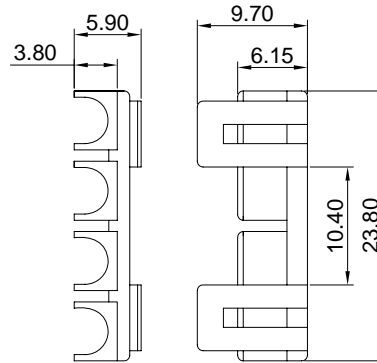
C6201S-1P-BL (Blue)  
C6201S-1P-IV (Ivory)



C6201S-2P-BL (Blue)  
C6201S-2P-IV (Ivory)



C6201S-3P-BL (Blue)  
C6201S-3P-IV (Ivory)



C6201S-4P-BL (Blue)  
C6201S-4P-IV (Ivory)

Unit: mm