



FEATURES

- Meet IEEE 802.3 and ANSI X3.263 standards including 350 uH OCL with 8mA Bias
- Designed to withstand IR reflow temperatures up to 235°C
- Compact footprint use in the most space restrictive applications
- Recognized by UL 1950.



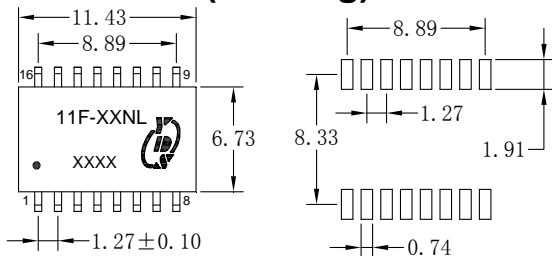
ELECTRICAL SPECIFICATIONS @25°C -Operating temperature -40°C TO 85°C

Part Number	Turns Ratio (±5%)		Insertion Loss (dB MAX)	Return Loss (dB TYP)			Differential to Common Mode Rejection (dB MIN)			Crosstalk (dB TYP)			Hipot V _{rms} MIN
	TX	RX		0.1-100MHz	30 MHz	60 MHz	80 MHz	30 MHz	50 MHz	100 MHz	30 MHz	60 MHz	
11F(B)-05	1CT:1CT	1CT:1CT	-1.1	-20	-14	-11.5	-42	-37	-33	-45	-40	-35	1500
11F(B)-06	1.25CT:1CT	1CT:1CT	-1.1	-20	-14	-11.5	-42	-37	-33	-45	-40	-35	1500
11F(B)-07	2CT:1CT	1CT:1CT	-1.1	-20	-14	-11.5	-42	-37	-33	-45	-40	-35	1500
11F(B)-08	1CT:1.414CT	1CT:1CT	-1.1	-18	-12	-11.5	-42	-37	-30	-45	-40	-35	1500
11F(B)-09	1CT:1CT	1CT:1CT	-1.0	-18	-14	-12	-40	-40	-40	-35	-35	-35	1500
11F(B)-10	1CT:1CT	1CT:1CT	-0.9	-18	-12	-11	-40	-35	-30	-45	-45	-37	1500
11F(B)-11	1CT:1CT	1CT:1CT	-1.0	-20	-14	-12	-42	-37	-32	-45	-40	-35	1500
11F(B)-12	1CT:1CT	1CT:1CT	-1.0	-20	-14	-12	-42	-37	-32	-45	-40	-35	1500
11F(B)-14	1CT:1CT	1CT:1CT	-1.2	-18	-14	-12	-43	-37	-33	-45	-40	-35	1500
11F(B)-16	1CT:1CT	1CT:1CT	-1.0	-18	-14	-12	-35	-35	-35	-35	-35	-35	1500
11F(B)-17	1CT:1CT	1CT:1CT	-1.0	-18	-16	-10	-40	-40	-40	-38	-38	-38	1500
11F(B)-17A	1CT:1CT	1CT:1CT	-1.0	-16	-12	-10	-40	-40	-35	-40	-40	-35	1500
11F(B)-17B	1CT:1CT	1CT:1CT	-1.0	-16	-12	-10	-40	-40	-35	-40	-40	-35	1500
11F(B)-18	1CT:1CT	1CT:1CT	-1.1	-20	-14	-12	-40	-37	-33	-45	-40	-35	1500
11F(B)-19	1CT:1	1CT:1CT	-1.0	-20	-14	-12	-40	-35	-30	-40	-40	-40	1500
11F(B)-19A	1CT:1CT	1CT:1CT	-1.0	-20	-14	-12	-40	-35	-30	-40	-40	-35	1500
11F(B)-19B	1CT:1	1CT:1CT	-1.0	-20	-14	-12	-40	-35	-30	-40	-40	-35	1500
11F(B)-19C	1CT:1CT	1CT:1CT	-1.0	-20	-14	-12	-40	-35	-30	-40	-40	-35	1500
11F(B)-19D	1CT:1.414	1CT:1CT	-2.0	-18	-12	-11	-	-	-	-45	-38	-34	1500

Note: B=Bottom potting, e.g. 11FB-05NL, 11FB-06NL

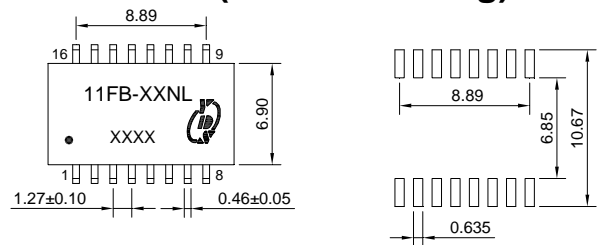
MECHANICAL

11F(Molding)

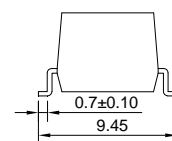
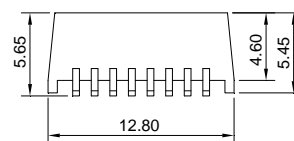
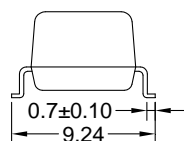
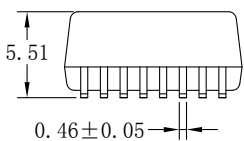


SUGGESTED PAD LAYOUT

11FB(Bottom Potting)



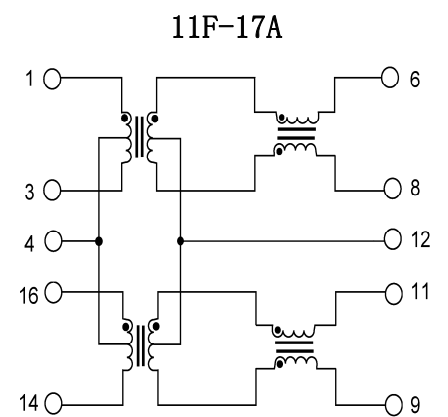
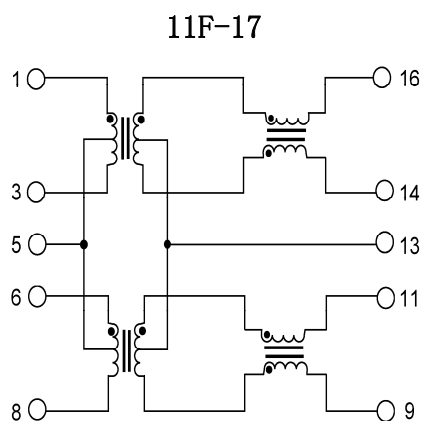
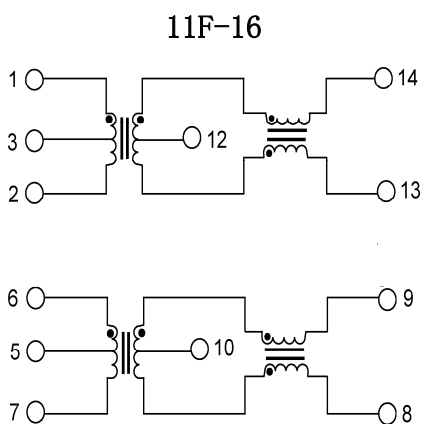
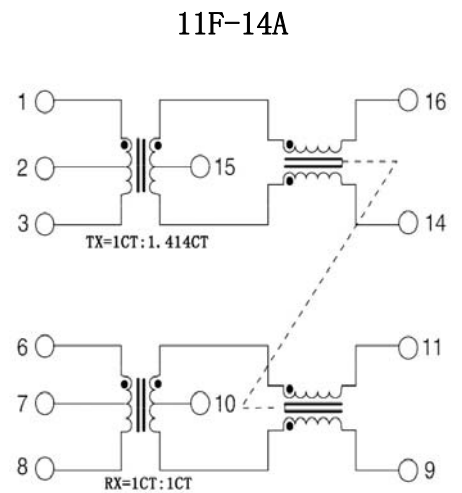
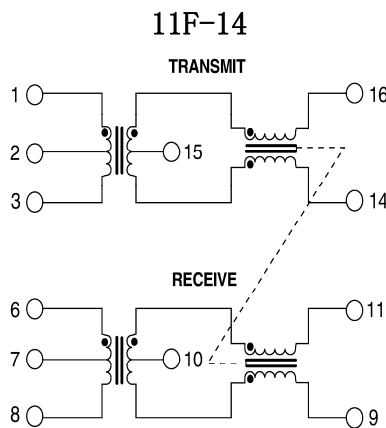
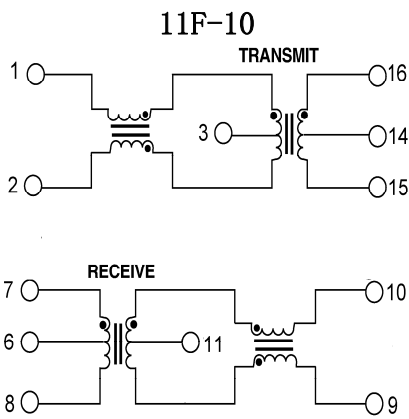
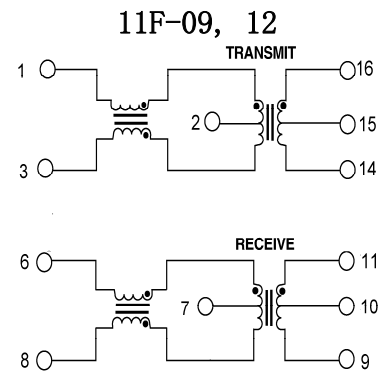
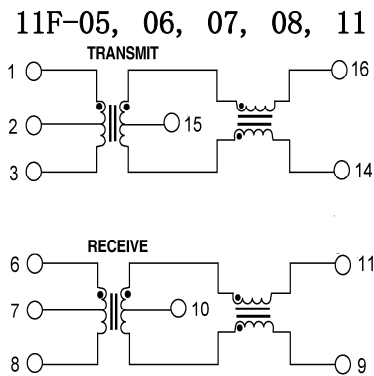
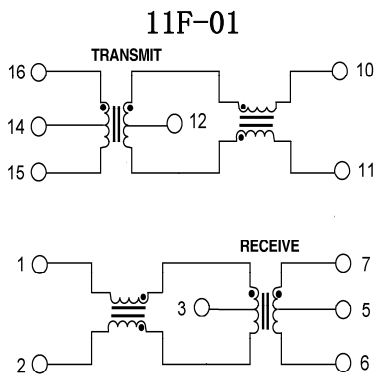
SUGGESTED PAD LAYOUT



UNIT: mm Unless otherwise specified, all tolerances are ±0.25

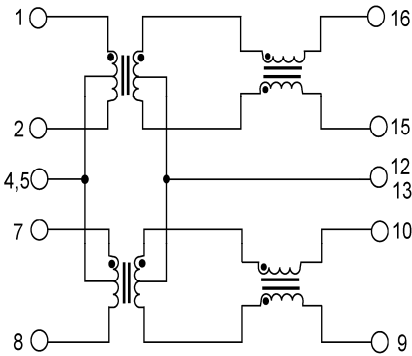


SCHEMATICS

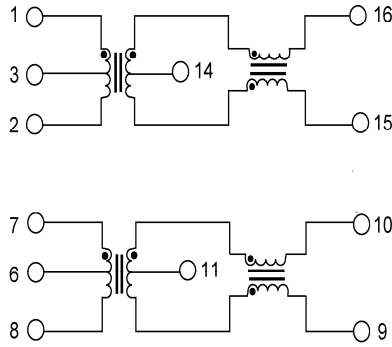




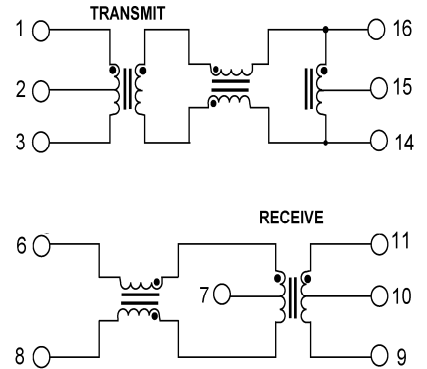
11F-17B



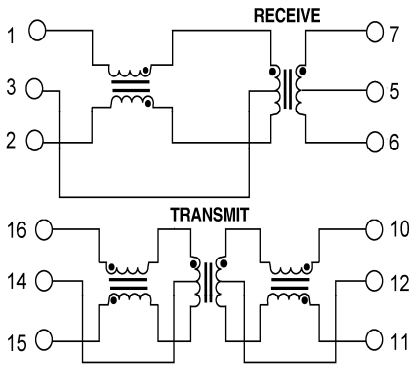
11F-18



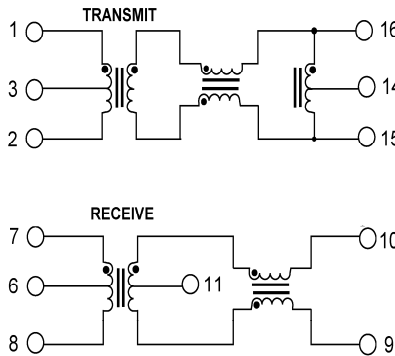
11F-19



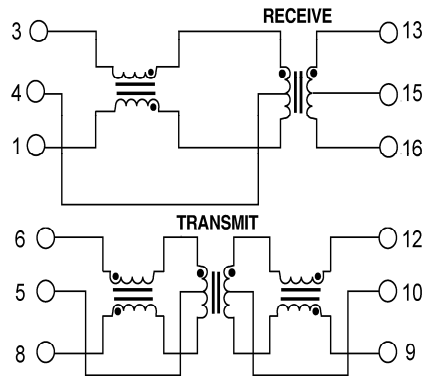
11F-19A



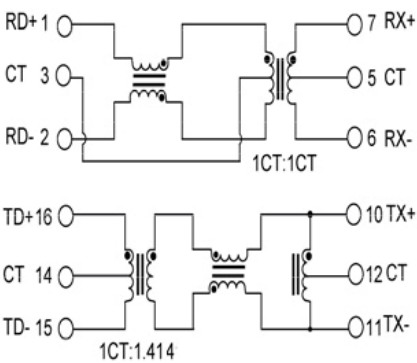
11F-19B



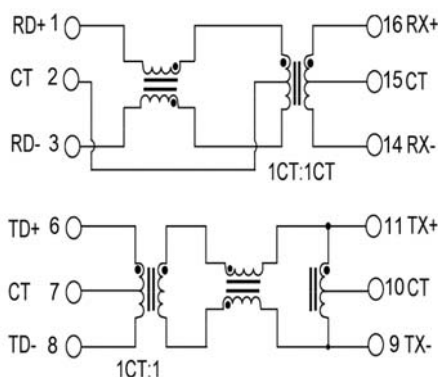
11F-19C



11F-19D



11F-19E



11F-19F

