

Linear Hall Effect Sensor IC

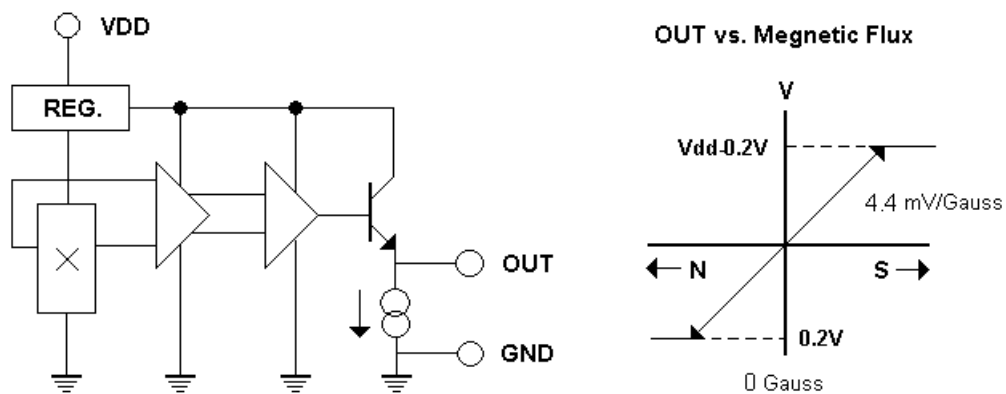
Features:

- Wide operating range 3.0~12V, -40°C~125°C
- Flat Response to 23kHz
- High Sensitivity 4.4mV/G
- Wide sensible magnetic field range on different supplied voltage
±450 Gauss on 5V supplied voltage
±1,000 Gauss on 12V supplied voltage. Low operating current 3mA
- Two package styles TO-92S/SOT-23 available.
- Built-in temperature compensated circuit to minimize temperature's effect

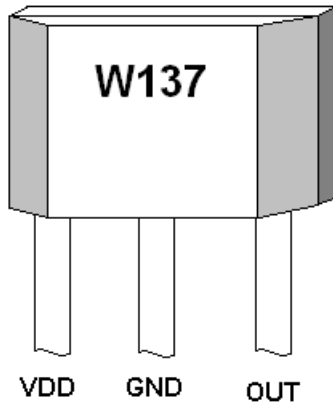
Functional Description :

The W137 integrates Hall sensing element, linear amplifier, sensitivity controller and emitter follower output stage. It accurately tracks extremely small change in magnetic flux density –generally too small to operate Hall effect switch.

W137 can be applied as current sensor, tooth sensor, proximity detectors and motion detectors. As sensitive monitor of magnetic flux, it can effectively measure a system's performance with negligible system loading while providing isolation from contaminated and electrically noisy environments.

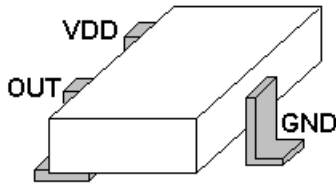


Winson reserves the right to make changes to improve reliability or manufacturability.



ABSOLUTE MAXIMUM RATING

Supply Voltage, Vdd	14V
Magnetic Flux Density, B	Unlimited
Output Driving Current	0.4mA
Operating Temperature Range	
Ta	-40°C to +125°C
Storage Temperature Range	
Ts	-65°C to +150°C
Power Dissipation Pd	
TO-92S	450mW
SOT-23	350mW



ORDER INFORMATION

WSH137-XPAN □ (TO-92S)	1: A Grade 2: B Grade
WSH137-XPCN □ (SOT-23)	
↑ Grade	

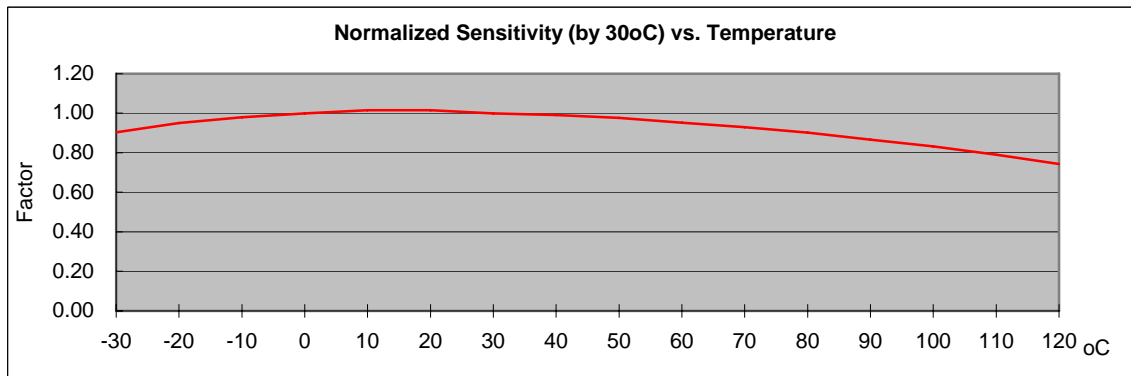
ps: (TO-92S) — 1,000/bag, (SOT-23) — 3,000/reel

Electrical Characteristics:

(T=+25°C, Vdd=5.0V)

Characteristic	Symbol	Test Conditions	Min	Typ	Max	Units
Supply Voltage	Vcc	—	3.0	—	12	V
Supply Current	Isupply	B=0 Gauss	—	3.5	6.0	mA
Quiescent Vout	V0G	B=0 G (A Grade)	2.45	2.5	2.55	V
		B=0 G (B Grade)	2.4	2.5	2.6	
Sensitivity	ΔV_{out}	B= 0 to \pm 400 G	4.0	4.4	4.8	mV/G
Bandwidth	BW		—	23	—	kHz
Measurable Gauss Range	MGR	Vdd=5V	—	\pm 450	—	Gauss
		Vdd=12V	—	\pm 1000	—	
Temperature Drift	ΔV_{out}	B=0 Gauss	—	\pm 0.5	—	mV/°C

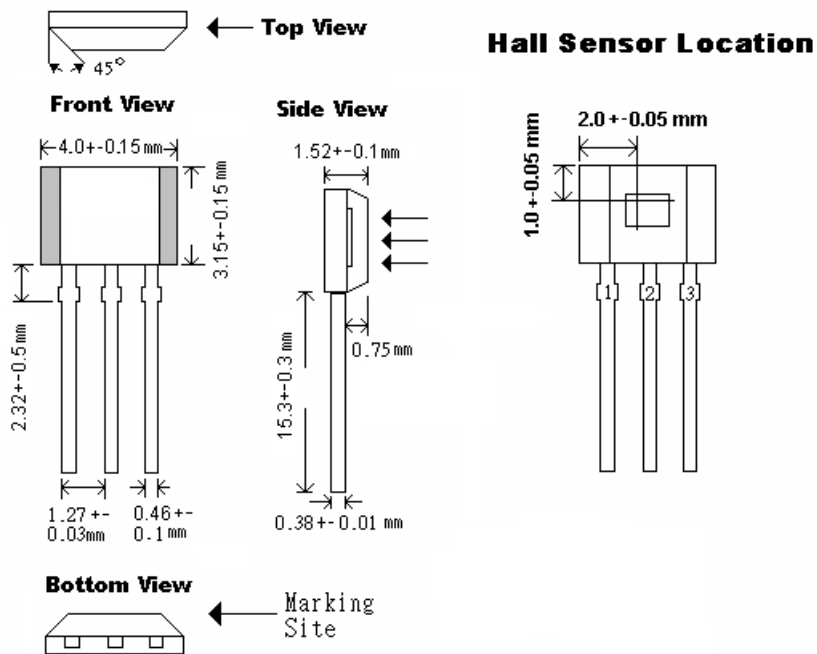
All output-voltage measurements are made with a voltmeter having an input impedance of at least 100k Ω



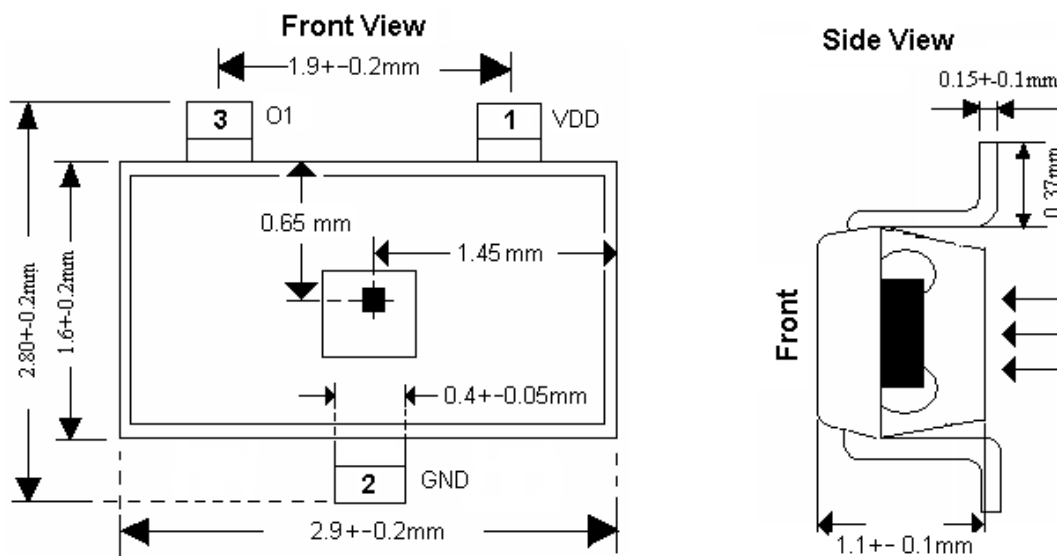
Winson reserves the right to make changes to improve reliability or manufacturability.

Package Information:

TO92S:



SOT23:



Winson reserves the right to make changes to improve reliability or manufacturability.