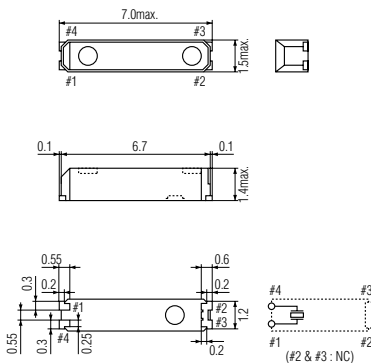


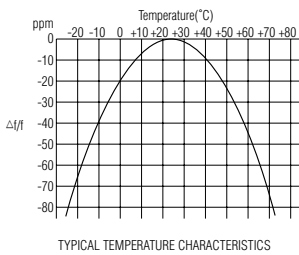
124SMX



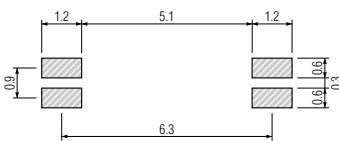
124SMX



XY-CUT

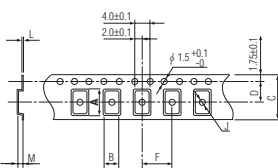


SOLDERING PATTERN



(※) #2 & #3 to be floating or open.

TAPE SPECIFICATIONS



A	B	C	D	F	J	L	M	Reel Dia.	Qty/Reel
7.2	1.55	16.0	7.5	8.0	1.0	0.3	1.5	330	3000pcs

STANDARD SPECIFICATIONS

Item	Symbol	Specifications
Part number	P/N	124M327
Package type		124SMX
Nominal frequency	F	32.768 kHz
Frequency tolerance at +25°C	$\Delta f/F$	B : ± 20 ppm C : ± 30 ppm standard D : ± 50 ppm
Load capacitance	CL	12.5 pF : 124M327 7.0 pF : 124M327-7
Equivalent series resistance	ESR	65 k Ω max.
Drive level	P	0.1 μ W (1.0 μ W max.)
Turnover temperature	Tt	+25°C $\pm 5^\circ$ C
Temperature coefficient	β	-0.035 ppm/ $^\circ$ C ² , Typical
Quality factor	Q	30000 min
Shunt capacitance	Co	1.7 pF, Typical
Motional capacitance	C1	0.0029 pF, Typical
Capacitance ratio	γ	590, Typical
Aging (for first year)	$\Delta f/F$	± 3 ppm max. at +25°C $\pm 3^\circ$ C
Insulation resistance	Ri	500M Ω min. at 100V DC ± 15 V
Cut		XY-Cut
Operating temperature range	To	-40°C to +85°C
Storage temperature range	Ts	-55°C to +125°C
Shock resistance	$\Delta f/F$	± 10 ppm max.
Vibration resistance	$\Delta f/F$	± 5 ppm max.
IR reflow resistance	$\Delta f/F$	± 5 ppm max.
Reflow condition		10 seconds max. at +250°C $\pm 10^\circ$ C (2 times)

PACKAGE DATA

Item	Package	124SMX
Outer Package		Epoxy
Sealing		Press-fit (1.2 \times 4.7mm built-in)
Terminal		42 alloy
Terminal plating		SnBi
RoHS		Compliant