

MINI ROTARY DIP SWITCH (7.4×7.4 SIZE)

RoHS



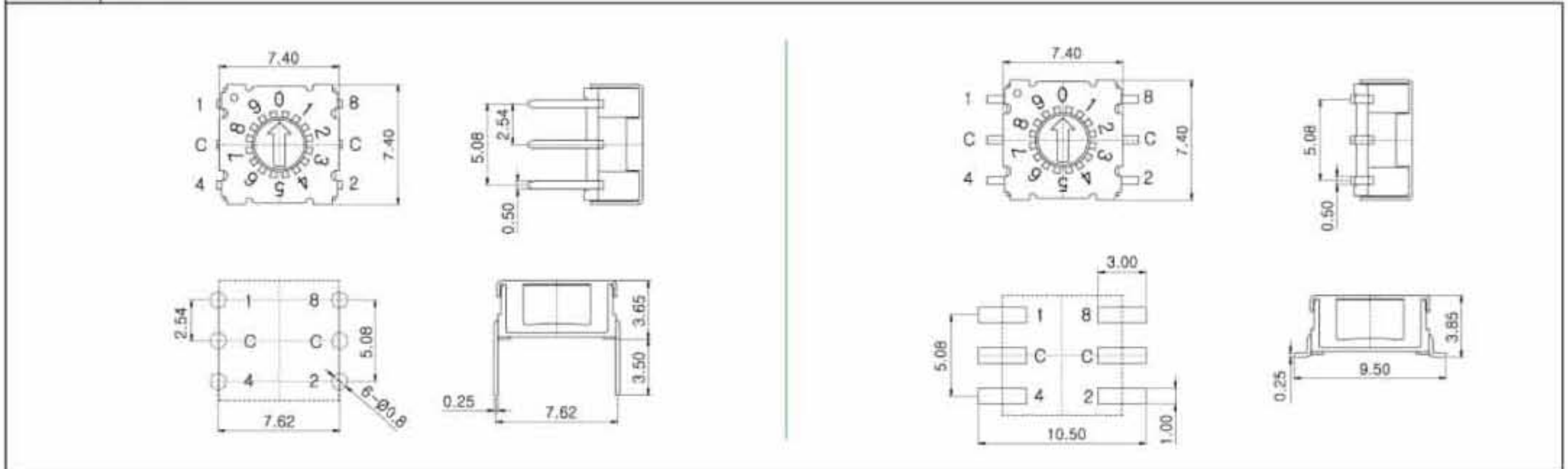
MODEL STRUCTURE

MS	D	R	10	S	TR
MS	1	2	3	4	5
Type	Actuators	Code	Position	Terminals	Packing

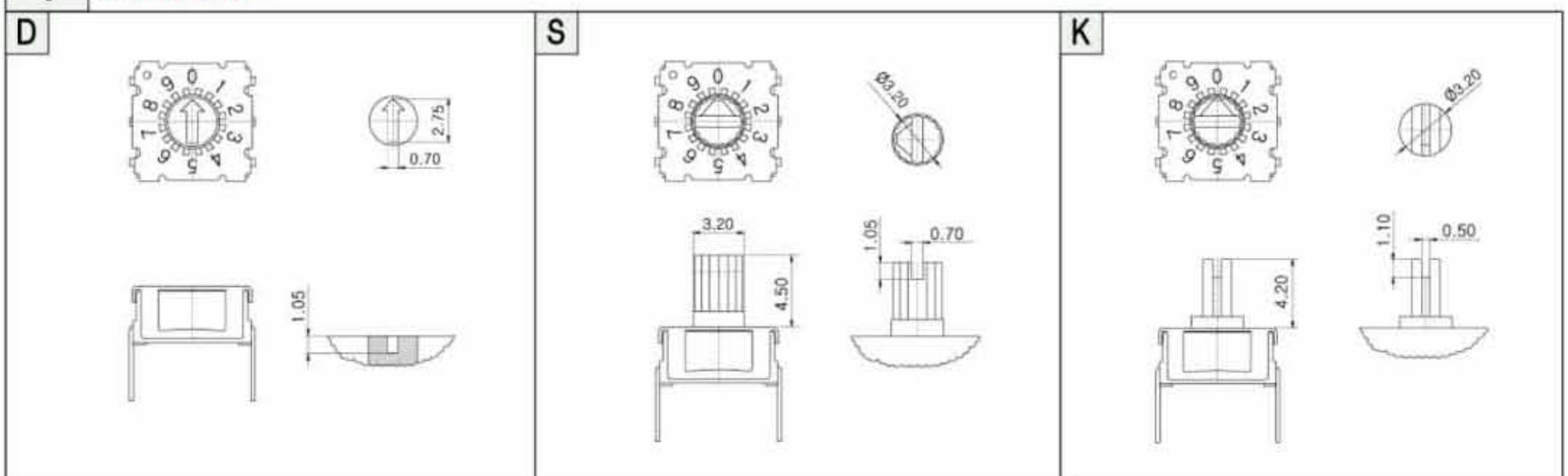
General Specification

- Rating : 100mA, 42V (Switching)
400mA, 42V (None-Switching)
- Contact Resistance : 80mΩ Max
- Insulation Resistance : 100MΩ Min
- Operation Force : 120gf ± 30gf
- Life Cycle : 25,000 steps
- Solder Condition : Solder reflow max : 10s/260 °C
Solder iron max : 4s/350 °C
Solder bath max : 5s/280 °C
- Sealing : IP67 (Dust & Water Proof)

MS Type



1 Actuators



MINI ROTARY DIP SWITCH (7.4×7.4 SIZE)

RoHS

2 Code

R Real Code

10 Position		Real Code				
		C	1	2	4	8
0	●					
1	●	●				
2	●		●			
3	●	●	●			
4	●			●		
5	●	●		●		
6	●		●		●	
7	●	●	●	●		
8	●				●	
9	●	●			●	

(Actuator Color : Red)

16 Position		Real Code				
		C	1	2	4	8
0	●					0
1	●	●				1
2	●		●			2
3	●	●	●			3
4	●			●		4
5	●	●		●		5
6	●		●		●	6
7	●	●	●	●		7
8	●				●	8
9	●	●			●	9
10	●		●		●	A
11	●	●	●	●		B
12	●			●	●	C
13	●	●		●	●	D
14	●		●	●	●	E
15	●	●	●	●	●	F

(Actuator Color : Gray)

C Complement Code

10 Position		Complement Code				
		C	1	2	4	8
0	●	●	●	●	●	
1	●		●	●	●	
2	●	●		●	●	
3	●		●		●	
4	●	●	●		●	
5	●		●	●		
6	●	●			●	
7	●			●		
8	●	●	●	●		
9	●		●	●		

(Actuator Color : Orange)

16 Position		Complement Code				
		C	1	2	4	8
0	●	●	●	●	●	0
1	●		●	●	●	1
2	●	●		●	●	2
3	●		●		●	3
4	●	●	●		●	4
5	●		●	●		5
6	●	●			●	6
7	●			●		7
8	●	●	●	●		8
9	●		●	●		9
10	●		●		●	A
11	●	●	●	●		B
12	●			●	●	C
13	●	●		●	●	D
14	●		●	●	●	E
15	●	●	●	●	●	F

(Actuator Color : Ivory)

3 Position

10

10 Position

16

16 Position

4 Terminals

- Standard Type

S SMD Type

5 Packing

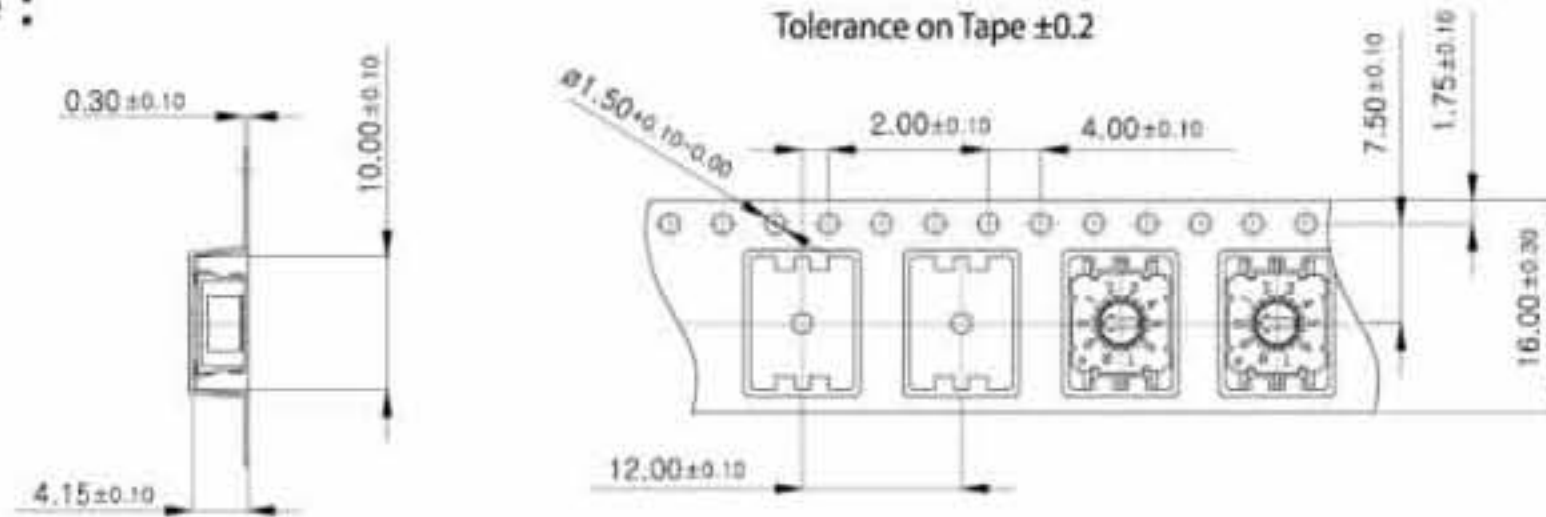
-

Tube Packing
Q'ty : 70pcs / Tube

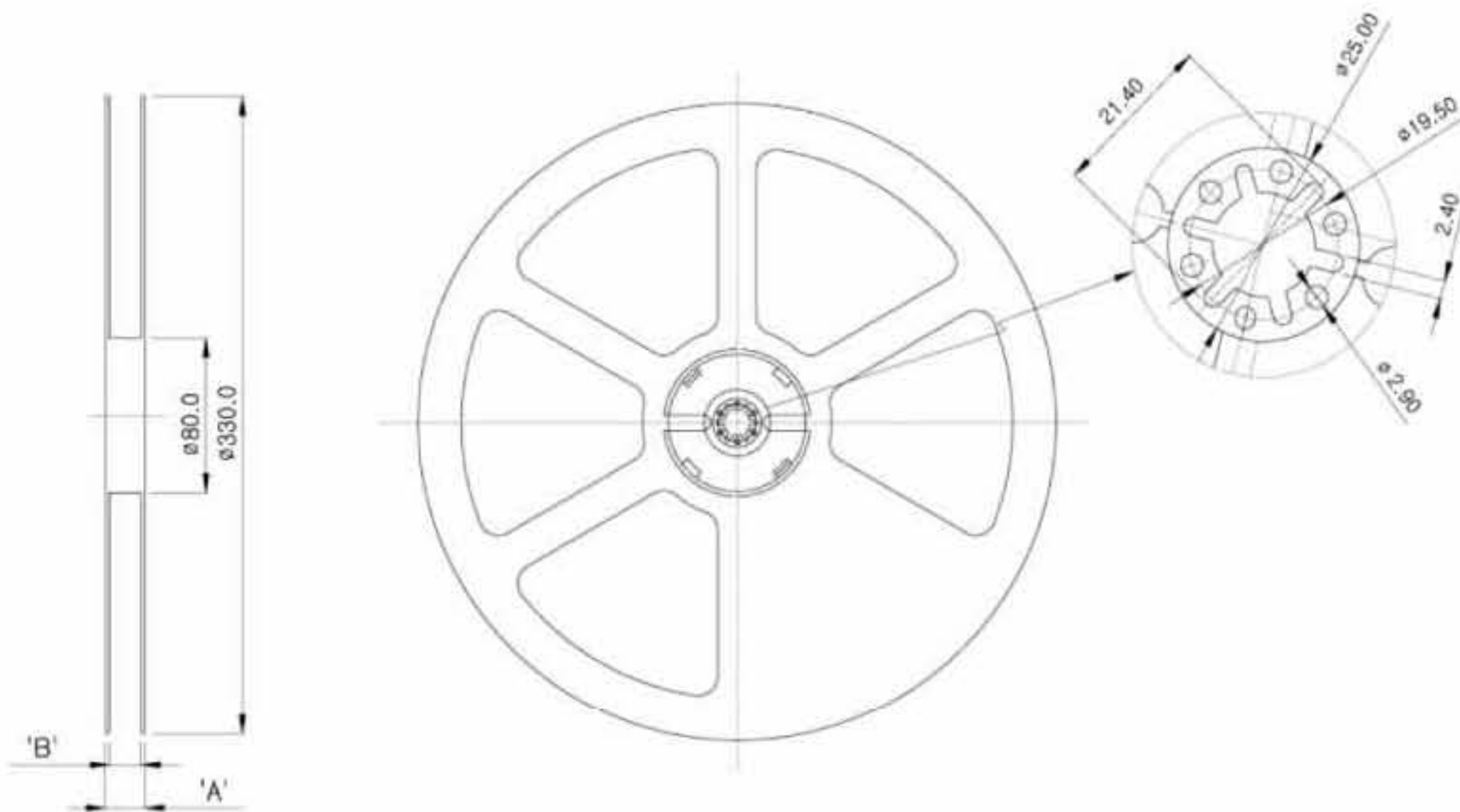
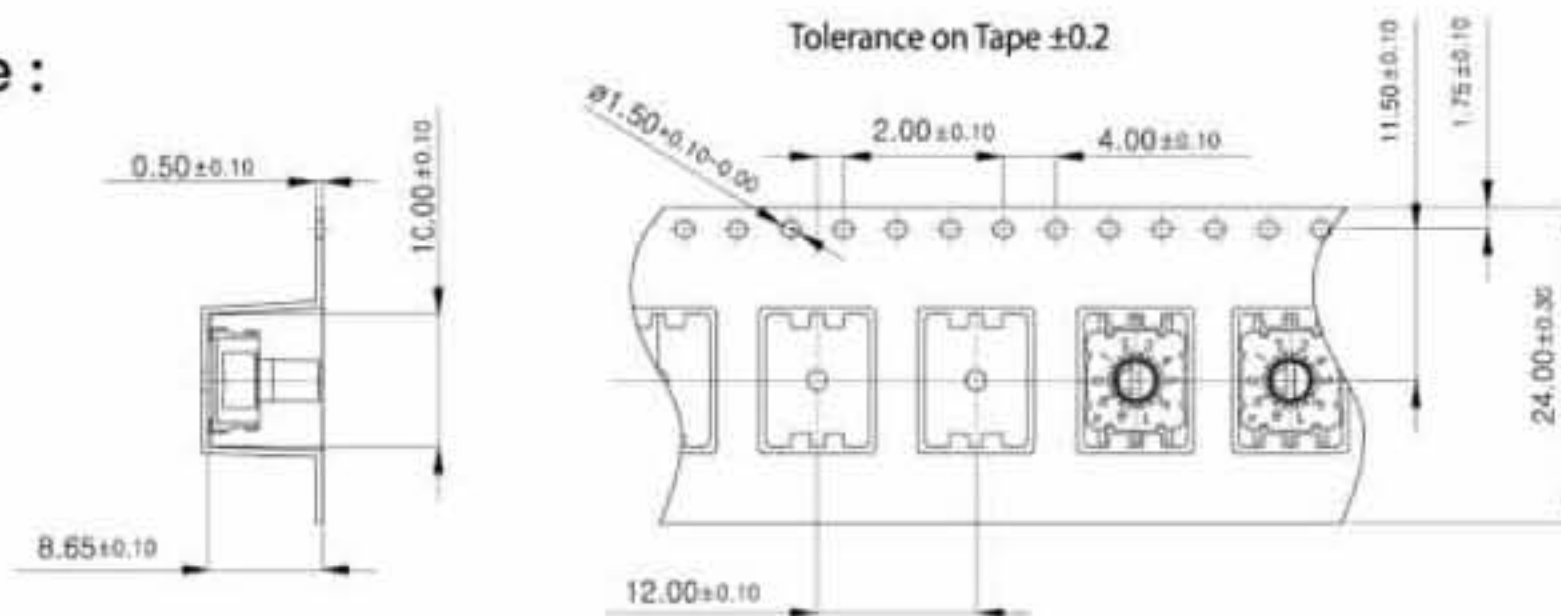
TR

Reel Packing
(See Page 8)

MSDR-S(SMD) Type :



MSSR-S(SMD) Type :



Apply to	Units(pcs)	A	B
MSDR-S(SMD) Type	1300	22.4	16.4
MSSR-S(SMD) Type	600	30.4	24.4

