

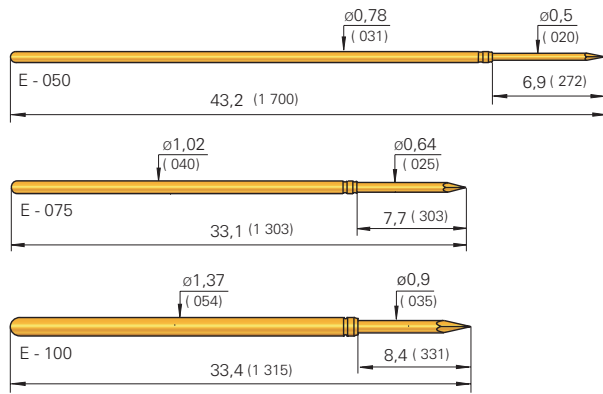
**Grid:**

1,27 / 1,91 / 2,54 mm  
50 / 75 / 100 Mil

**Installation Height:** 16,0 mm (.630) / variable

**Recommended Stroke:** 4,3 mm (.169)

## Mounting and Functional Dimensions



## Available Tip Styles

E-050

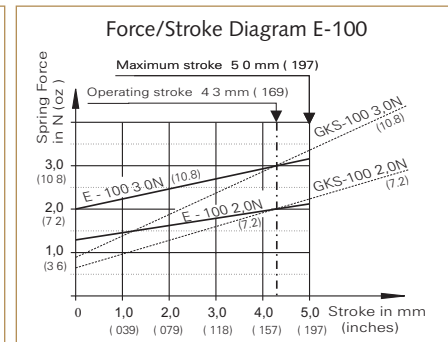
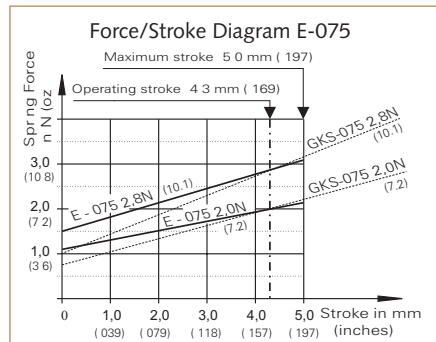
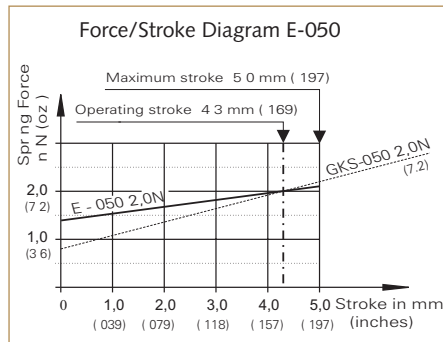
Material	Tip Style	Plating	Further Versions	
			$\phi$	$\phi$ (inch)
2 91		A	$\phi 0,50$ (.020)	

E-075

Material	Tip Style	Plating	Further Versions	
			$\phi$	$\phi$ (inch)
2 91		A	$\phi 0,64$ (.025)	

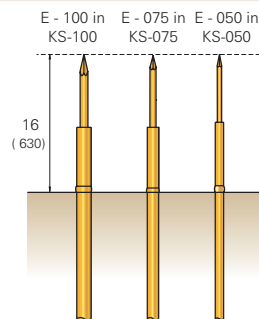
E-100

Material	Tip Style	Plating	Further Versions	
			$\phi$	$\phi$ (inch)
2 91		A	$\phi 0,90$ (.035)	



### Collar Height and Installation Height, Receptacles, Electrical Data, Mounting Hole Size and Materials: see compatible standard Probe series!

e-type	compatible Probe	Page
E-050	GKS-050	23
E-075	GKS-075	24 / 25
E-100	GKS-100	25 / 26



### Spring Forces at Working Stroke

Series	Designation	Pre-Load	Force at Working Stroke
E-050	20	1,4 N (5.1oz)	2,0 N (7.2oz)
E-075	20	1,1 N (4.0oz)	2,0 N (7.2oz)
E-075	28	1,5 N (5.4oz)	2,8 N (10.1oz)
E-100	20	1,3 N (4.7oz)	2,0 N (7.2oz)
E-100	30	2,0 N (7.2oz)	3,0 N (10.8oz)

### Mechanical Data

**Working Stroke:** 4,3 mm (.169)  
**Maximum Stroke:** 5,0 mm (.197)

## Ordering Example

Series	Tip Material	Tip Style	Tip Diameter (1/100 mm)	Plating	Spring Force (dN)	Collar Height (mm)
	2 = Steel			A = Gold		

Test Probes:

E	050	2	91	050	A	20	00
E	075	2	91	064	A	20	00
E	100	2	91	090	A	30	00