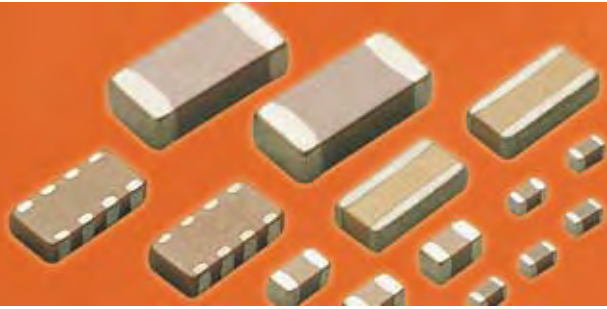
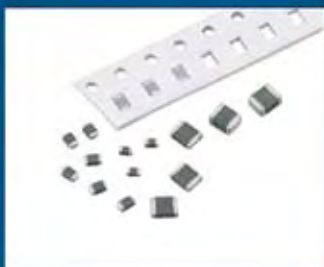




華新科技股份有限公司
Walsin Technology Corporation



Multilayer Ceramic Capacitors



2009



國家品質獎



ALWAYS AROUND YOU
www.passivecomponent.com

Subject	Page
Quick Product Information	1
The Outlines and External Dimensions of Capacitors	2
General Purpose Capacitors	3
High Capacitance Capacitors	7
Low Profile Capacitors	9
Ultra-small (0201) Capacitors	10
Middle and High Voltage Capacitors	11
Safety Certificated Capacitors (X1/Y2)	16
Safety Certificated Capacitors (X2/Y3)	17
High Q and Low ESR Capacitors	19
Ultra High Q and Low ESR	21
Open-mode Design Capacitors	23
Low Distortion Capacitors	25
Capacitor Arrays	27
Low Inductance Capacitors	28
Appendix I : Reliability Test Conditions and Requirements	29
Appendix II : General Information	32

■ Quick Product Information

Series	Dielectric	Size	Capacitance	Rated voltage	Page
General Purpose Caps	NPO	0402, 0603, 0805, 1206, 1210, 1812	0.5pF~0.039μF	16V, 25V, 50V, 100V	4
	X7R	0402, 0603, 0805, 1206, 1210, 1812	100pF~1μF	10V, 16V, 25V, 50V, 100V	5
	Y5V	0402, 0603, 0805, 1206, 1210, 1812	0.01μF~1μF	6.3V, 10V, 16V, 25V, 50V, 100V	6
High Capacitance Caps	X7R	0402, 0603, 0805, 1206, 1210, 1812	0.1μF~4.7μF	10V, 16V, 25V, 50V	8
	X5R	0402, 0603, 0805, 1206	0.027μF~10μF	6.3V, 10V, 16V	8
	Y5V	0402, 0603, 0805, 1206, 1210, 1812	0.15μF~47μF	6.3V, 10V, 16V, 25V, 35V, 50V	8
Low Profile Caps	X5R	0805, 1206, 1210	1μF~10μF	6.3V, 10V	9
	Y5V	0805, 1206, 1210	2.2μF~10μF	10V, 16V	9
Ultra-small Caps	NPO	0201	0.5pF~100pF	16V, 25V	10
	X7R	0201	100pF~4700pF	16V, 25V, 50V	10
	X5R	0201	1000pF~0.1μF	6.3V, 10V, 16V	10
Middle & High Voltage Caps	NPO	0603, 0805, 1206, 1210, 1808, 1812	0.5pF~6800pF	200V, 250V, 500V, 630V, 1kV, 2kV, 3kV	12
	X7R	0805, 1206, 1210, 1808, 1812	100pF~0.47μF	200V, 250V, 500V, 630V, 1kV, 2kV, 3kV	14
	Y5V	0805, 1206, 1210, 1812	0.01μF~0.68μF	200V, 250V	15
Safety Certificated Caps (X1/Y2)	NPO	1808, 1812	10pF~470pF	250Vac	16
Safety Certificated Caps (X2/Y3)	NPO	1808, 1812	3.9pF~1000pF	250Vac	18
	X7R	1808, 1812	150pF~4700pF	250Vac	18
High Q & Low ESR Caps	NPO	0402, 0603	0.5pF~3300pF	16V, 50V, 100V	20
Ultra High Q&Low ESR Caps	NPO	0201, 0402	0.1pF~22pF	25V, 50V	22
Open-mode Design Caps	X7R	0805, 1206, 1210, 1812	100pF~1μF	100V, 200V, 250V, 500V	24
Low Distortion Caps	X7R	1206	150pF~0.1μF	100V, 200V, 250V	25
Capacitor Arrays	NPO	0612 (4x0603)	10pF~470pF	50V	27
	X7R	0612 (4x0603)	180pF~0.1μF	16V, 50V	27
	Y5V	0612 (4x0603)	0.01μF~0.1μF	50V	27
Low Inductance Caps	X7R	0612	0.01μF~0.15μF	50V	28

Single Chip Capacitors

Outline	Size Inch (mm)	L (mm)	W (mm)	T (mm)/Symbol		Remark	M _B (mm)
	0201 (0603)	0.6±0.03	0.3±0.03	0.3±0.03		L #	0.15±0.05
	0402 (1005)	1.00±0.05	0.50±0.05	0.50±0.05		N #	0.25 +0.05/-0.10
	0603 (1608)	1.60 +0.15/-0.10	0.80±0.10	0.80±0.07		S	0.40±0.15
				0.80+0.15/-0.10		X	
	0805 (2012)	2.00±0.15	1.25±0.10	0.50±0.10		H	0.50±0.20
				0.60±0.10		A	
				0.80±0.10		B	
				1.25±0.10		D #	
				0.85±0.10		T	
	1206 (3216)	3.20±0.15	1.60±0.15	1.25±0.20		I #	0.60±0.20
				0.80±0.10		B	
				0.95±0.10		C #	
				1.25±0.10		D #	
				1.15±0.15		J #	
	1206 (3216)	3.20±0.20	1.60±0.20	1.60±0.20		G #	0.60±0.20
				0.85±0.10		T	
				3.20+0.30/-0.10		1.60+0.30/-0.10	
	1210 (3225)	3.20±0.30	2.50±0.20	0.95±0.10		C #	0.75±0.25
				0.85±0.10		T #	
				1.25±0.10		D #	
1.60±0.20				G #			
2.00±0.20				K #			
1808 (4520)	4.50±0.40	2.03±0.25	2.50±0.30		M #	0.75±0.25	
			1.25±0.10		D #		
			2.00±0.20		K #		
1812 (4532)	4.50±0.40	3.20±0.30	1.25±0.10		D #	0.75±0.25	
			2.00±0.20		K #		
			2.50±0.30		M #		
1812 (4532)	4.50±0.40	3.20±0.40	2.80±0.30		U #	0.75±0.25	

Reflow soldering only is recommended.

* For safety certificated products please refer to individual sheet for detail.

Capacitor Arrays

Outline	Size Inch (mm)	L (mm)	W (mm)	T (mm)/Symbol		S (mm)	BW (mm)	P (mm)	
	0612 (1632)	3.20±0.15	1.60±0.15	0.80±0.10		B	0.30±0.20	0.40±0.15	0.80±0.15

Reflow soldering only.

Low Inductance Capacitors

Outline	Size Inch (mm)	L (mm)	W (mm)	T (mm)/Symbol		T _a min. (mm)	T _b min. (mm)	
	0612 (1632)	3.20±0.15	1.60±0.15	0.80±0.10		B	0.5	0.13

Reflow soldering only.

■ HOW TO ORDER

1206	F	104	Z	500	C	T
Size Inch (mm) 0402 (1005) 0603 (1608) 0805 (2012) 1206 (3216) 1210 (3225) 1812 (4532)	Dielectric N=NP0 (C0G) B=X7R F=Y5V	Capacitance Two significant digits followed by no. of zeros. And R is in place of decimal point. eg.: R47=0.47pF 0R5=0.5pF 1R0=1.0pF 104=10x10 ⁴ =100nF	Tolerance B=±0.1pF C=±0.25pF D=±0.5pF F=±1% G=±2% J=±5% K=±10% M=±20% Z=-20/+80% (B,C,D for Cap<10pF; F,G,J,K,M,Z for Cap≥10pF)	Rated voltage Two significant digits followed by no. of zeros. And R is in place of decimal point. 6R3=6.3 VDC 100=10 VDC 160=16 VDC 250=25 VDC 500=50 VDC 101=100 VDC	Termination L=Ag/Ni/Sn (for NP0 dielectric) C=Cu/Ni/Sn (for X7R, Y5V dielectric)	Packaging B=Bulk C=Bulk cassette T=7" reeled G=13" reeled

■ PACKAGING DIMENSION AND QUANTITY

Size	Thickness (mm)/Symbol		Paper tape		Plastic tape	
			7" reel	13" reel	7" reel	13" reel
0402 (1005)	0.50 ± 0.05	N	10k	50k	-	-
0603 (1608)	0.80 ± 0.07	S	4k	15k	-	-
	0.80 + 0.15 / -0.10	X	4k	15k	-	-
0805 (2012)	0.60 ± 0.10	A	4k	15k	-	-
	0.80 ± 0.10	B	4k	15k	-	-
	1.25 ± 0.10	D	-	-	3k	10k
1206 (3216)	0.80 ± 0.10	B	4k	15k	-	-
	0.95 ± 0.10	C	-	-	3k	10k
	1.15 ± 0.15	J	-	-	3k	10k
	1.25 ± 0.10	D	-	-	3k	10k
	1.60 ± 0.20	G	-	-	2k	-
	1.60 + 0.30 / -0.10	P	-	-	2k	-
1210 (3225)	0.95 ± 0.10	C	-	-	3k	10k
	1.25 ± 0.10	D	-	-	3k	10k
	1.60 ± 0.20	G	-	-	2k	-
	2.50 ± 0.30	M	-	-	1k	-
1812 (4532)	1.25 ± 0.10	D	-	-	1k	-
	2.00 ± 0.20	K	-	-	1k	-

Unit: pieces

■ CAPACITANCE RANGE

NP0 Dielectric

Dielectric		NP0																	
Size		0402				0603			0805			1206			1210			1812	
Rated Voltage (VDC)		16	25	50	100	16	50	100	16	50	100	16	50	100	16	50	100	50	100
capacitance	0.5pF (0R5)			N	N		S	S		A	A								
	0.6pF (0R6)			N	N		S	S		A	A								
	0.7pF (0R7)			N	N		S	S		A	A								
	0.8pF (0R8)			N	N		S	S		A	A								
	0.9pF (0R9)			N	N		S	S		A	A								
	1.0pF (1R0)			N	N		S	S		A	A								
	1.2pF (1R2)			N	N		S	S		A	A								
	1.5pF (1R5)			N	N		S	S		A	A		B	B					
	1.8pF (1R8)			N	N		S	S		A	A		B	B					
	2.2pF (2R2)			N	N		S	S		A	A		B	B					
	2.7pF (2R7)			N	N		S	S		A	A		B	B					
	3.3pF (3R3)			N	N		S	S		A	A		B	B					
	3.9pF (3R9)			N	N		S	S		A	A		B	B					
	4.7pF (4R7)			N	N		S	S		A	A		B	B					
	5.6pF (5R6)			N	N		S	S		A	A		B	B					
	6.8pF (6R8)			N	N		S	S		A	A		B	B					
	8.2pF (8R2)			N	N		S	S		A	A		B	B					
	10pF (100)			N	N		S	S		A	A		B	B				C	D
	12pF (120)			N	N		S	S		A	A		B	B				C	D
	15pF (150)			N	N		S	S		A	A		B	B				C	D
	18pF (180)			N	N		S	S		A	A		B	B				C	D
	22pF (220)			N	N		S	S		A	A		B	B			C	C	D
	27pF (270)			N	N		S	S		A	A		B	B			C	C	D
	33pF (330)			N	N		S	S		A	A		B	B			C	C	D
	39pF (390)			N	N		S	S		A	A		B	B			C	C	D
	47pF (470)			N	N		S	S		A	A		B	B			C	C	D
	56pF (560)			N	N		S	S		A	A		B	B			C	C	D
	68pF (680)			N	N		S	S		A	A		B	B			C	C	D
	82pF (820)			N	N		S	S		A	A		B	B			C	C	D
	100pF (101)			N	N		S	S		A	A		B	B			C	C	D
	120pF (121)			N	N		S	S		A	A		B	B			C	C	D
	150pF (151)			N	N		S	S		A	A		B	B			C	C	D
	180pF (181)			N			S	S		A	A		B	B			C	C	D
	220pF (221)			N			S	S		A	A		B	B			C	C	D
	270pF (271)	N	N				S	S		A	A		B	B			C	C	D
	330pF (331)	N					S	S		A	A		B	B			C	C	D
	390pF (391)	N					S	S		B	B		B	B			C	C	D
	470pF (471)	N					S	S		B	B		B	B			C	C	D
	560pF (561)						S	S		B	B		B	B			C	C	D
	680pF (681)						S			B	B		B	B			C	C	D
820pF (821)						S			B	B		B	B			C	C	D	
1,000pF (102)						S			B	B		B	B			C	C	D	
1,200pF (122)						S			B	B		B	B			C	C	D	
1,500pF (152)						S			B	B		B	B			C	C	D	
1,800pF (182)						S			B	B		B	B			C	C	D	
2,200pF (222)						S			B	B		B	B			C	C	D	
2,700pF (272)						S			D	D		B	B			C	C	D	
3,300pF (332)						S			D	D		B	B			C	C	D	
3,900pF (392)									D	D		B	B			C	C	D	
4,700pF (472)									D			B	B			C	C	D	
5,600pF (562)								D				B	B			C	C	D	
6,800pF (682)								D				C	C			C	C	D	
8,200pF (822)								D				D	D			C	C	D	
0.010μF (103)								D				D				C	C	D	
0.012μF (123)								D			D				C	D	D	D	
0.015μF (153)								D			D				C	D	D	D	
0.018μF (183)								D			D						D	D	
0.022μF (223)								D			D						D	D	
0.027μF (273)								D			D						D	D	
0.033μF (333)								D			D						D	D	
0.039μF (393)								D			G								

1. The letter in cell is expressed the symbol of product thickness.

X7R Dielectric

Dielectric		X7R																									
Size		0402				0603					0805					1206				1210			1812				
Rated Voltage (VDC)		10	16	25	50	10	16	25	50	100	10	16	25	50	100	16	25	50	100	25	50	100	25	50	100		
capacitance	100pF (101)				N				S	S				B	B												
	120pF (121)				N				S	S				B	B												
	150pF (151)				N				S	S				B	B				B	B							
	180pF (181)				N				S	S				B	B				B	B							
	220pF (221)				N				S	S				B	B				B	B							
	270pF (271)				N				S	S				B	B				B	B							
	330pF (331)				N				S	S				B	B				B	B							
	390pF (391)				N				S	S				B	B				B	B							
	470pF (471)				N				S	S				B	B				B	B							
	560pF (561)				N				S	S				B	B				B	B							
	680pF (681)				N				S	S				B	B				B	B							
	820pF (821)				N				S	S				B	B				B	B							
	1,000pF (102)				N				S	S				B	B				B	B			C	C		D	D
	1,200pF (122)				N				S	S				B	B				B	B			C	C		D	D
	1,500pF (152)				N				S	S				B	B				B	B			C	C		D	D
	1,800pF (182)				N				S	S				B	B				B	B			C	C		D	D
	2,200pF (222)				N				S	S				B	B				B	B			C	C		D	D
	2,700pF (272)				N				S	S				B	B				B	B			C	C		D	D
	3,300pF (332)				N				S	S				B	B				B	B			C	C		D	D
	3,900pF (392)				N				S	S				B	B				B	B			C	C		D	D
	4,700pF (472)				N				S	S				B	B				B	B			C	C		D	D
	5,600pF (562)			N	N				S	S				B	B				B	B			C	C		D	D
	6,800pF (682)			N	N				S	S				B	B				B	B			C	C		D	D
	8,200pF (822)			N	N				S	S				B	B				B	B			C	C		D	D
	0.010μF (103)			N	N				S	S				B	B				B	B			C	C		D	D
	0.012μF (123)		N	N					S					B	B				B	B			C	C		D	D
	0.015μF (153)		N	N					S					B	B				B	B			C	C		D	D
	0.018μF (183)		N	N					S					B	B				B	B			C	C		D	D
	0.022μF (223)		N	N					S					B	B				B	B			C	C		D	D
	0.027μF (273)	N	N						S					B	D				B	B			C	C		D	D
	0.033μF (333)	N	N					S	X					B	D				B	B			C	C		D	D
	0.039μF (393)	N	N					S	X					B	D				B	B			C	C		D	D
	0.047μF (473)	N	N					S	X					B	D				B	B			C	C		D	D
	0.056μF (563)	N	N					S	X					B	D				B	B			C	C		D	D
	0.068μF (683)	N	N					S	X					B	D				B	B			C	C		D	D
	0.082μF (823)	N	N				S	S	S	X				B	B	D			B	D			C	C		D	D
0.10μF (104)	N	N				S	S	S	X				B	B	D			B	D			C	C		D	D	
0.12μF (124)						S	S	X					B	D				B	D			C	C		D	D	
0.15μF (154)						S	S	X					D	D				C	G			C	D		D	D	
0.18μF (184)						S	S	X					D	D				C	G			C	D		D	D	
0.22μF (224)						S	S	X					D	D				C	G			C	D		D	D	
0.27μF (274)					X	X	X						D					C	D			C	G		D	D	
0.33μF (334)					X	X	X						D	I				C	D			C	D	G		D	D
0.39μF (394)					X	X	X						D	D			C	J	P			C	D	M		D	D
0.47μF (474)					X	X	X						D	D	I			J	J	P		C	D	M		D	K
0.56μF (564)					X								D	D				J	J	P		D	D	M		D	K
0.68μF (684)					X								D	D	D			J	J	P		D	D	K	D	K	K
0.82μF (824)					X								D	D	D			J	J	P		D	D	K	D	K	K
1.0μF (105)					X								D	D	D			J	J	P		D	D	K	D	K	K

1. The letter in cell is expressed the symbol of product thickness.

■ CAPACITANCE RANGE

Y5V Dielectric (0402,0603,0805,Sizes)

Dielectric		Y5V												
Size		0402					0603				0805			
Rated Voltage (VDC)		6.3	10	16	25	50	10	16	25	50	16	25	50	100
capacitance	0.010μF (103)					N				S			A	B
	0.015μF (153)					N				S			A	B
	0.022μF (223)					N				S			A	B
	0.033μF (333)					N				S			A	B
	0.047μF (473)				N					S			A	B
	0.068μF (683)			N	N					S			A	B
	0.10μF (104)			N	N					S			A	B
	0.15μF (154)		N							S			A	
	0.22μF (224)		N						S	S			A	
	0.33μF (334)	N	N						S				B	
	0.47μF (474)	N	N					S				B	B	
	0.68μF (684)	N					S	X			B	D	D	
1.0μF (105)	N					S	X	X		B	D	D		

1. The letter in cell is expressed the symbol of product thickness.

Y5V Dielectric (1206,1210,1812 Sizes)

Dielectric		Y5V						
Size		1206			1210		1812	
Rated Voltage (VDC)		25	50	100	50	100	50	100
capacitance	0.010μF (103)	B	B	B		C		D
	0.015μF (153)	B	B	B		C		D
	0.022μF (223)	B	B	B		C		D
	0.033μF (333)	B	B	B		C		D
	0.047μF (473)	B	B	B		C		D
	0.068μF (683)	B	B	B		C		D
	0.10μF (104)	B	B	B	C	C	D	D
	0.15μF (154)	B	B	C	C	C	D	D
	0.22μF (224)	B	B	C	C	C	D	D
	0.33μF (334)	B	B		C	C	D	D
	0.47μF (474)	B	B		C		D	D
	0.68μF (684)	B	B		C		D	D
1.0μF (105)	C	C		C		D	D	

1. The letter in cell is expressed the symbol of product thickness.

■ HOW TO ORDER

1206	F	106	Z	100	C	T
Size Inch (mm) 0402 (1005) 0603 (1608) 0805 (2012) 1206 (3216) 1210 (3225) 1812 (4532)	Dielectric B=X7R X=X5R S=X6S F=Y5V	Capacitance Two significant digits followed by no. of zeros. And R is in place of decimal point. eg.: 106=10x10 ⁶ =10μF	Tolerance K=±10% M=±20% Z=-20/+80%	Rated voltage Two significant digits followed by no. of zeros. And R is in place of decimal point. 6R3=6.3 VDC 100=10 VDC 160=16 VDC 250=25 VDC 500=50 VDC	Termination C=Cu/Ni/Sn	Packaging B=Bulk C=Bulk cassette T=7"reeled G=13"reeled

■ PACKAGING DIMENSION AND QUANTITY

Size	Thickness (mm)/Symbol		Paper tape		Plastic tape	
			7" reel	13" reel	7" reel	13" reel
0402 (1005)	0.50 ± 0.05	N	10k	50k	-	-
0603 (1608)	0.80 ± 0.07	S	4k	15k	-	-
	0.80 + 0.15 / -0.10	X	4k	15k	-	-
0805 (2012)	0.80 ± 0.10	B	4k	15k	-	-
	1.25 ± 0.10	D	-	-	3k	10k
	1.25 ± 0.20	I	-	-	3k	10k
1206 (3216)	0.95 ± 0.10	C	-	-	3k	10k
	1.15 ± 0.15	J	-	-	3k	10k
	1.60 ± 0.20	G	-	-	2k	-
	1.60 + 0.30 / -0.10	P	-	-	2k	-
1210 (3225)	0.95 ± 0.10	C	-	-	3k	10k
	1.25 ± 0.10	D	-	-	3k	10k
	1.60 ± 0.20	G	-	-	2k	-
	2.00 ± 0.20	K	-	-	1k	-
	2.50 ± 0.30	M	-	-	1k	-
1812 (4532)	1.25 ± 0.10	D	-	-	1k	-
	2.00 ± 0.20	K	-	-	1k	-
	2.50 ± 0.30	M	-	-	0.5k	-

Unit: pieces

■ CAPACITANCE RANGE

X7R Dielectric

Dielectric		X7R																										
Size		0402				0603				0805				1206				1210				1812						
Rated Voltage (VDC)		10V	16V	6.3V	10V	16V	25V	50V	6.3V	10V	16V	25V	6.3V	10V	16V	25V	50V	10V	16V	25V	50V	100V	10V	16V	25V	50V	100V	
capacitance	1.0μF (104)	N	N		S	S	S	X																				
	0.15 (154)				S	S	X																					
	0.22 (224)				S	S	X																					
	0.33 (334)				X	X	X																					
	0.47 (474)				X	X	X																					
	0.68 (684)				X	X	X																					
	1μF (105)			X	X	X					D	D	D		J	J	J	P	D	D	D	D	K	D	D	D	K	K
	1.5μF (155)										I				J	J	J											K
	2.2 (225)								I	I	I	I		J	J	J	P			K	G							M
	3.3 (335)														P	P	P											
	4.7 (475)														P	P	P	P										
6.8 (685)																												
10μF (106)													P	P								K	K					

The letter in cell is expressed the symbol of product thickness.

X5R Dielectric

Dielectric		X5R																
Size		0402			0603				0805				1206				1210	
Rated Voltage (VDC)		6.3	10	16	6.3	10	16	25	6.3	10	16	25	6.3	10	16	25	10	16
capacitance	0.027μF (273)			N														
	0.033μF (333)			N														
	0.039μF (393)			N														
	0.047μF (473)			N														
	0.056μF (563)		N	N														
	0.068μF (683)		N	N														
	0.082μF (823)	N	N	N														
	0.10μF (104)	N	N	N														
	0.22μF (224)	N					X	X										
	0.33μF (334)	N				X	X	X										
	0.47μF (474)	N				X	X	X										
	0.68μF (684)	N			X	X	X	X										
	1.0μF (105)	N			X	X	X	X										
	1.5μF (155)				X				I	I				J	J		K	K
	2.2μF (225)				X				I	I	I	I		J	J	J	K	K
	3.3μF (335)								I	I	I	I		P	P	P		
	4.7μF (475)								I	I	I	I		P	P	P	K	K
6.8μF (685)													P	P				
10μF (106)								I					P	P	P	P	K	
22μF (226)													P					

1. The letter in cell is expressed the symbol of product thickness.

Y5V Dielectric

Dielectric		Y5V																			
Size		0603		0805				1206					1210					1812			
Rated Voltage (VDC)		10	16	10	16	25	50	10	16	25	35	50	6.3	10	16	25	35	50	16	25	50
capacitance	1.0μF (105)	S	X	B	B	D	D	C	C	C		C		C	C	C		C	D	D	D
	1.5μF (155)	S		D	D			C	C	C				C	C	C			D	D	D
	2.2μF (225)	S		D	D	I		C	C	C				C	C	C		G	D	D	D
	3.3μF (335)			D	D			J	J	J				C	C	C			D	D	D
	4.7μF (475)			D	D	I		J	J	J	J			C	C	D		G	D	D	D
	6.8μF (685)			I				J	J					C	C	D			D	D	D
	10μF (106)			I				J	J	P				D	D	G	K				
	22μF (226)							P						K	K						
	47μF (476)													K	K					M	
	100μF (107)													M							

1. The letter in cell is expressed the symbol of product thickness.

2. For more information about products with special capacitance or other date, please contact WTC local representative.

■ HOW TO ORDER

TT	31	X	225	M	100	C	T
Series TT=Low profile	Size 18=0603 (1608) 21=0805 (2012) 31=1206 (3216) 32=1210 (3225)	Dielectric X=X5R F=Y5V	Capacitance Two significant digits followed by no. of zeros. And R is in place of decimal point. eg.: 225=22x10 ⁵ =2,200,000pF =2.2μF	Tolerance K=±10% M=±20% Z=-20/+80%	Rated voltage Two significant digits followed by no. of zeros. And R is in place of decimal point. 6R3=6.3 VDC 100=10 VDC 160=16 VDC	Termination C=Cu/Ni/Sn	Packaging B=Bulk T=7" reeled

■ PACKAGING DIMENSION AND QUANTITY

Size	Thickness (mm)/Symbol		7" reel	
			Paper tape	Plastic tape
0603 (1608)	0.60	H	4k	-
0805 (2012)	0.95	T	4k	-
1206 (3216)	0.95	T	4k	-
	1.25	J	-	3k
1210 (3225)	0.95	T	-	3k

Unit: pieces

■ CAPACITANCE RANGE

DIELECTRIC	X5R								
	SIZE	0603		0805		1206		1210	
Rated Voltage (VDC)	10V	6.3V	10V	16V	6.3V	10V	16V	10V	
X5R	0.22 (224)	H							
	1μF (105)			T	T		T	T	
	1.5μF (154)			T	T		T	T	
	2.2 (225)		T	T	T		T	T	
	3.3 (335)						T	T	T
	4.7 (475)		T				T	T	T
	6.8 (685)								
	10μF (106)					T	J		
	2.2μF (226)								

 Please specify the capacitance tolerance code.

1. This series product is suited to reflow soldering process only.

HOW TO ORDER

0201	N	100	J	250	L	T
Size Inch (mm) 0201 (0603)	Dielectric N=NP0 (COG) B=X7R X=X5R	Capacitance Two significant digits followed by no. of zeros. And R is in place of decimal point. eg.: R47=0.47pF 0R5=0.5pF 1R0=1.0pF 100=10x10 ⁰ =10pF	Tolerance B=±0.1pF C=±0.25pF D=±0.5pF G=±2% J=±5% K=±10% M=±20% (B,C,D for Cap<10pF; G,J,K,M for Cap≥10pF)	Rated voltage Two significant digits followed by no. of zeros. And R is in place of decimal point. 6R3=6.3 VDC 100=10 VDC 160=16 VDC 250=25 VDC 500=50 VDC	Termination L=Ag/Ni/Sn (for NP0 dielectric) C=Cu/Ni/Sn (for X7R, X5R, dielectric)	Packaging T=7"reeled

PACKAGING DIMENSION AND QUANTITY

Size	Thickness (mm)/Symbol	Paper tape	
		7" reel	13" reel
0201 (0603)	0.30±0.03	L	15k

Unit: pieces

CAPACITANCE RANGE

Size	0201		
	NPO		
Dielectric	16	25	50
Rated Voltage (VDC)	16	25	50
capacitance	0.3pF (0R3)	L	L
	0.4pF (0R4)	L	L
	0.5pF (0R5)	L	L
	1.0pF (1R0)	L	L
	1.2pF (1R2)	L	L
	1.5pF (1R5)	L	L
	1.8pF (1R8)	L	L
	2.2pF (2R2)	L	L
	2.7pF (2R7)	L	L
	3.3pF (3R3)	L	L
	3.9pF (3R9)	L	L
	4.7pF (4R7)	L	L
	5.6pF (5R6)	L	L
	6.8pF (6R8)	L	L
	8.2pF (8R2)	L	L
	10pF (100)	L	L
	12pF (120)	L	L
	15pF (150)	L	L
	18pF (180)	L	L
	22pF (220)	L	L
27pF (270)	L	L	
33pF (330)	L	L	
39pF (390)	L	L	
47pF (470)	L	L	
56pF (560)	L	L	
68pF (680)	L	L	
82pF (820)	L	L	
100pF (101)	L	L	

Size	0201							
	X7R				X5R			
Dielectric	10V	16V	25V	50V	6.3V	10V	16V	50V
Rated Voltage (VDC)	10V	16V	25V	50V	6.3V	10V	16V	50V
capacitance	100pF (101)	L	L	L				L
	120pF (121)	L	L	L				L
	150pF (151)	L	L	L				L
	180pF (181)	L	L	L				L
	220pF (221)	L	L	L				L
	270pF (271)	L	L	L				L
	330pF (331)	L	L	L				L
	390pF (391)	L	L	L				L
	470pF (471)	L	L	L				L
	560pF (561)	L	L	L				L
	680pF (681)	L	L	L				L
	820pF (821)	L	L	L				L
	1,000pF (102)	L	L	L	L			L
	1,500pF (152)	L	L					L
	2,200pF (222)	L	L					L
	3,300pF (332)	L	L					L
	4,700pF (472)	L	L					L
	6,800pF (682)	L					L	
	0.010μF (103)	L					L	
	0.015μF (153)					L		
	0.022μF (223)					L		
	0.033μF (333)					L		
	0.047μF (473)					L		
	0.068μF (683)					L		
	0.10μF (104)					L		

1. The letter in cell is expressed the symbol of product thickness.

2. For more information about products with special capacitance or other data, please contact WTC local sales representative.

■ HOW TO ORDER

1808	N	100	G	202	L	T
Size Inch (mm) 0603 (1608) 0805 (2012) 1206 (3216) 1210 (3225) 1808 (4520) 1812 (4532)	Dielectric N=NP0 (C0G) B=X7R F=Y5V	Capacitance Two significant digits followed by no. of zeros. And R is in place of decimal point. eg.: R47=0.47pF 0R5=0.5pF 1R0=1.0pF 100=10x10 ⁰ =10pF	Tolerance B=±0.1pF C=±0.25pF D=±0.5pF F=±1% G=±2% J=±5% K=±10% M=±20% Z=-20/+80% (B,C,D for Cap<10pF; G,J,K,M,Z for Cap≥10pF)	Rated voltage Two significant digits followed by no. of zeros. And R is in place of decimal point. 201=200 VDC 251=250 VDC 501=500 VDC 631=630 VDC 102=1000 VDC 202=2000 VDC 302=3000 VDC	Termination L=Ag/Ni/Sn (for NP0 dielectric) C=Cu/Ni/Sn (for X7R*, Y5V dielectric)	Packaging B=Bulk T=7"reeled G=13"reeled

* Partial X7R Items are with Ag/Ni/Sn terminations please refer to below product range of X7R dielectric for detail.

■ PACKAGING DIMENSION AND QUANTITY

Size	Thickness (mm)/Symbol		Paper tape		Plastic tape	
			7" reel	13" reel	7" reel	13" reel
0603 (1608)	0.80 ± 0.07	S	4k	15k	-	-
0805 (2012)	0.60 ± 0.10	A	4k	15k	-	-
	0.80 ± 0.10	B	4k	15k	-	-
1206 (3216)	1.25 ± 0.10	D	-	-	3k	10k
	0.80 ± 0.10	B	4k	15k	-	-
	0.95 ± 0.10	C	-	-	3k	10k
	1.25 ± 0.10	D	-	-	3k	10k
1210 (3225)	1.60 ± 0.20	G	-	-	2k	-
	0.95 ± 0.10	C	-	-	3k	10k
	1.25 ± 0.10	D	-	-	3k	10k
	1.60 ± 0.20	G	-	-	2k	-
1808 (4520)	2.50 ± 0.30	M	-	-	1k	-
	1.25 ± 0.10	D	-	-	2k	-
	2.00 ± 0.20	K	-	-	1k	-
1812 (4532)	1.25 ± 0.10	D	-	-	1k	-
	2.00 ± 0.20	K	-	-	1k	-

Unit: pieces

■ CAPACITANCE RANGE NP0 Dielectric 200V to 630V

Dielectric		NP0																	
Size		0603		0805				1206				1210				1812			
Rated Voltage (VDC)		200	250	200	250	500	630	200	250	500	630	200	250	500	630	200	250	500	630
capacitance	0.5pF (0R5)			A	A	A	A												
	1.0pF (1R0)			A	A	A	A												
	1.2pF (1R2)			A	A	A	A												
	1.5pF (1R5)			A	A	A	A	B	B	B	B								
	1.8pF (1R8)			A	A	A	A	B	B	B	B								
	2.2pF (2R2)			A	A	A	A	B	B	B	B								
	2.7pF (2R7)			A	A	A	A	B	B	B	B								
	3.3pF (3R3)			A	A	A	A	B	B	B	B								
	3.9pF (3R9)			A	A	A	A	B	B	B	B								
	4.7pF (4R7)			A	A	A	A	B	B	B	B								
	5.6pF (5R6)			A	A	A	A	B	B	B	B								
	6.8pF (6R8)			A	A	A	A	B	B	B	B								
	8.2pF (8R2)			A	A	A	A	B	B	B	B								
	10pF (100)			A	A	A	A	B	B	B	B	C	C	C	C	D	D	D	D
	12pF (120)			A	A	A	A	B	B	B	B	C	C	C	C	D	D	D	D
	15pF (150)			A	A	A	A	B	B	B	B	C	C	C	C	D	D	D	D
	18pF (180)			A	A	A	A	B	B	B	B	C	C	C	C	D	D	D	D
	22pF (220)	S	S	A	A	A	A	B	B	B	B	C	C	C	C	D	D	D	D
	27pF (270)	S	S	A	A	A	A	B	B	B	B	C	C	C	C	D	D	D	D
	33pF (330)	S	S	A	A	A	A	B	B	B	B	C	C	C	C	D	D	D	D
	39pF (390)	S	S	A	A	A	A	B	B	B	B	C	C	C	C	D	D	D	D
	47pF (470)	S	S	A	A	A	A	B	B	B	B	C	C	C	C	D	D	D	D
	56pF (560)	S	S	A	A	A	A	B	B	B	B	C	C	C	C	D	D	D	D
	68pF (680)	S	S	A	A	A	A	B	B	B	B	C	C	C	C	D	D	D	D
	82pF (820)	S	S	A	A	B	B	B	B	B	B	C	C	C	C	D	D	D	D
	100pF (101)	S	S	A	B	B	B	B	B	B	B	C	C	C	C	D	D	D	D
	120pF (121)			A	B	D	D	B	B	B	B	C	C	C	C	D	D	D	D
	150pF (151)			B	D	D	D	B	B	B	B	C	C	C	C	D	D	D	D
	180pF (181)			B	D	D	D	B	B	B	B	C	C	C	C	D	D	D	D
	220pF (221)			D	D	D	D	B	B	B	B	C	C	C	C	D	D	D	D
	270pF (271)			D	D	D	D	B	C	C	C	C	C	C	C	D	D	D	D
	330pF (331)			D	D	D	D	B	C	C	C	C	C	C	C	D	D	D	D
	390pF (391)			D	D	D	D	B	C	C	C	C	C	C	C	D	D	D	D
	470pF (471)			D				C	C	C	C	C	C	C	C	D	D	D	D
560pF (561)			D				C	D	D	D	C	C	C	C	D	D	D	D	
680pF (681)			D				C	D	D	D	C	C	C	C	D	D	D	D	
820pF (821)			D				C	G	G	G	C	C	C	C	D	D	D	D	
1,000pF (102)			D				C	G	G	G	D	D	D	D	D	D	D	D	
1,200pF (122)							C				D	D	D	D	D	D	D	D	
1,500pF (152)							D				D	D	D	D	D	D	D	D	
1,800pF (182)							D				D	D	D	D	D	D	D	D	
2,200pF (222)							D				D	D			D	D	D	D	
2,700pF (272)											D	D			D	D	D	D	
3,300pF (332)											D				D	D	D	D	
3,900pF (392)											D				D				
4,700pF (472)															D				
5,600pF (562)															D				
6,800pF (682)															D				

1. The letter in cell is expressed the symbol of product thickness.

NP0 Dielectric 1kV to 3kV

Dielectric		NP0									
Size		1206		1210		1808			1812		
Rated Voltage (VDC)		1000	2000	1000	2000	1000	2000	3000	1000	2000	3000
capacitance	1.5pF (1R5)	B	B								
	1.8pF (1R8)	B	B								
	2.2pF (2R2)	B	B			D	D	D			
	2.7pF (2R7)	B	B			D	D	D			
	3.3pF (3R3)	B	B			D	D	D			
	3.9pF (3R9)	B	B			D	D	D			
	4.7pF (4R7)	B	B			D	D	D			
	5.6pF (5R6)	B	B			D	D	D			
	6.8pF (6R8)	B	B			D	D	D			
	8.2pF (8R2)	B	B			D	D	D			
	10pF (100)	B	B	C	C	D	D	D	D	D	D
	12pF (120)	B	B	C	C	D	D	D	D	D	D
	15pF (150)	B	B	C	C	D	D	D	D	D	D
	18pF (180)	B	B	C	C	D	D	D	D	D	D
	22pF (220)	B	B	C	C	D	D	D	D	D	D
	27pF (270)	B	B	C	C	D	D	D	D	D	D
	33pF (330)	B	B	C	C	D	D	D	D	D	D
	39pF (390)	B	B	C	C	D	D	D	D	D	D
	47pF (470)	B	B	C	C	D	D	D	D	D	D
	56pF (560)	B	B	C	D	D	D	D	D	D	D
	68pF (680)	B	C	C	D	D	D	D	D	D	D
	82pF (820)	B	C	C	D	D	D	D	D	D	D
	100pF (101)	B	C	C	D	D	D	D	D	D	D
	120pF (121)	B	D	C	D	D	D	D	D	D	D
	150pF (151)	C	D	C	D	D	D	D	D	D	D
	180pF (181)	C	G	C	D	D	D	K	D	D	D
	220pF (221)	D	G	C	D	D	D	K	D	D	D
	270pF (271)	D		C		D	D	K	D	D	K
	330pF (331)	G		D		D	D	K	D	D	K
	390pF (391)	G		D		D	K		D	D	K
470pF (471)	G		D		D	K		D	D	K	
560pF (561)					K	K		D	D		
680pF (681)					K	K		D	K		
820pF (821)					K			D	K		
1,000pF (102)					K			K	K		
1,200pF (122)								K			
1,500pF (152)								K			

1. The letter in cell is expressed the symbol of product thickness.

X7R Dielectric 200V to 630V

Dielectric		X7R															
Size		0805				1206				1210				1812			
Rated Voltage (VDC)		200	250	500	630	200	250	500	630	200	250	500	630	200	250	500	630
capacitance	100pF (101)	B	B	B [^]	B [^]												
	120pF (121)	B	B	B [^]	B [^]												
	150pF (151)	B	B	B [^]	B [^]	D	D	D [^]	D [^]								
	180pF (181)	B	B	B [^]	B [^]	D	D	D [^]	D [^]								
	220pF (221)	B	B	B [^]	B [^]	D	D	D [^]	D [^]								
	270pF (271)	B	B	B [^]	B [^]	D	D	D [^]	D [^]								
	330pF (331)	B	B	B [^]	B [^]	D	D	D [^]	D [^]								
	390pF (391)	B	B	B [^]	B [^]	D	D	D [^]	D [^]								
	470pF (471)	B	B	B [^]	B [^]	D	D	D [^]	D [^]								
	560pF (561)	B	B	B [^]	B [^]	D	D	D [^]	D [^]								
	680pF (681)	B	B	B [^]	B [^]	D	D	D [^]	D [^]								
	820pF (821)	B	B	B [^]	B [^]	D	D	D [^]	D [^]								
	1,000pF (102)	B	B	B [^]	B [^]	D	D	D [^]	D [^]	C	C	C [^]	C [^]	D	D	D [^]	D [^]
	1,200pF (122)	B	B	B [^]	B [^]	D	D	D [^]	D [^]	C	C	C [^]	C [^]	D	D	D [^]	D [^]
	1,500pF (152)	B	B	B [^]	B [^]	D	D	D [^]	D [^]	C	C	C [^]	C [^]	D	D	D [^]	D [^]
	1,800pF (182)	B	B	B [^]	B [^]	D	D	D [^]	D [^]	C	C	C [^]	C [^]	D	D	D [^]	D [^]
	2,200pF (222)	B	B	B [^]	B [^]	D	D	D [^]	D [^]	C	C	C [^]	C [^]	D	D	D [^]	D [^]
	2,700pF (272)	B	B	B [^]	B [^]	D	D	D [^]	D [^]	C	C	C [^]	C [^]	D	D	D [^]	D [^]
	3,300pF (332)	B	B	B [^]	B [^]	D	D	D [^]	D [^]	C	C	C [^]	C [^]	D	D	D [^]	D [^]
	3,900pF (392)	B	B			D	D	D [^]	D [^]	C	C	C [^]	C [^]	D	D	D [^]	D [^]
	4,700pF (472)	B	B			D	D	D [^]	D [^]	C	C	C [^]	C [^]	D	D	D [^]	D [^]
	5,600pF (562)	D	D			D	D	D [^]	D [^]	C	C	C [^]	C [^]	D	D	D [^]	D [^]
	6,800pF (682)	D	D			D	D	D [^]	D [^]	C	C	C [^]	C [^]	D	D	D [^]	D [^]
	8,200pF (822)	D	D			D	D	D [^]	D [^]	C	C	C [^]	C [^]	D	D	D [^]	D [^]
	0.010μF (103)	D	D			D	D	D [^]	D [^]	C	C	C [^]	C [^]	D	D	D [^]	D [^]
	0.012μF (123)	D	D			D	D	D [^]	D [^]	C	C	C [^]	C [^]	D	D	D [^]	D [^]
	0.015μF (153)	D	D			D	D	D [^]	D [^]	C	C	C [^]	C [^]	D	D	D [^]	D [^]
	0.018μF (183)	D	D			D	D	D [^]	D [^]	C	C	C [^]	C [^]	D	D	D [^]	D [^]
	0.022μF (223)	D	D			D	D	G [^]	G [^]	C	C	D [^]	D [^]	D	D	D [^]	D [^]
	0.027μF (273)					D	D	G [^]	G [^]	C	C	G [^]	G [^]	D	D	D [^]	D [^]
	0.033μF (333)					G	G	G [^]	G [^]	C	C	G [^]	G [^]	D	D	D [^]	D [^]
	0.039μF (393)					G	G			C	C	G [^]	G [^]	D	D	D [^]	D [^]
	0.047μF (473)					G	G			D	D	G [^]	G [^]	D	D	D [^]	D [^]
	0.056μF (563)					G	G			D	D	G [^]	G [^]	D	D	K [^]	K [^]
	0.068μF (683)					G	G			G	G			D	D	K [^]	K [^]
	0.082μF (823)					G	G			G	G			D	D	K [^]	K [^]
	0.10μF (104)					G	G			G	G			D	D	K [^]	K [^]
	0.12μF (124)									G	G			D	D		
	0.15μF (154)									M	M			K	K		
	0.18μF (184)									M	M			K	K		
0.22μF (224)									M	M			K	K			
0.27μF (274)									M	M			K	K			
0.33μF (334)									M	M			K	K			
0.39μF (394)									M	M			K	K			
0.47μF (474)									M	M			K	K			

1. The letter in cell is expressed the symbol of product thickness.
2. The letter in cell with " ^ " mark is expressed product with Ag/Ni/Sn terminations.

X7R Dielectric 1kV to 3kV

Dielectric		X7R								
Size		1206		1210	1808			1812		
Rated Voltage (VDC)		1000	2000	1000	1000	2000	3000	1000	2000	3000
capacitance	150pF (151)	B [^]	B [^]		D [^]	D [^]	D [^]			
	180pF (181)	B [^]	B [^]		D [^]	D [^]	D [^]			
	220pF (221)	B [^]	B [^]		D [^]	D [^]	D [^]			
	270pF (271)	B [^]	B [^]		D [^]	D [^]	D [^]	D [^]	D [^]	
	330pF (331)	B [^]	B [^]		D [^]	D [^]	K [^]	D [^]	D [^]	
	390pF (391)	B [^]	C [^]		D [^]	D [^]	K [^]	D [^]	D [^]	
	470pF (471)	B [^]	C [^]		D [^]	D [^]	K [^]	D [^]	D [^]	
	560pF (561)	B [^]	C [^]		D [^]	D [^]	K [^]	D [^]	D [^]	
	680pF (681)	B [^]	C [^]		D [^]	D [^]	K [^]	D [^]	D [^]	K [^]
	820pF (821)	B [^]	G [^]		D [^]	D [^]	K [^]	D [^]	D [^]	K [^]
	1,000pF (102)	B [^]	G [^]	C [^]	D [^]	K [^]	K [^]	D [^]	D [^]	K [^]
	1,200pF (122)	B [^]	G [^]	C [^]	D [^]	K [^]		D [^]	D [^]	
	1,500pF (152)	C [^]	G [^]	C [^]	D [^]	K [^]		D [^]	D [^]	
	1,800pF (182)	C [^]		C [^]	D [^]	K [^]		D [^]	D [^]	
	2,200pF (222)	D [^]		C [^]	D [^]	K [^]		D [^]	D [^]	
	2,700pF (272)	G [^]		C [^]	D [^]			D [^]	D [^]	
	3,300pF (332)	G [^]		D [^]	D [^]			D [^]	K [^]	
	3,900pF (392)	G [^]		G [^]	D [^]			D [^]	K [^]	
	4,700pF (472)	G [^]		G [^]	D [^]			D [^]	K [^]	
	5,600pF (562)			G [^]	K [^]			D [^]		
6,800pF (682)			M [^]	K [^]			D [^]			
8,200pF (822)			M [^]	K [^]			D [^]			
0.010μF (103)			M [^]	K [^]			D [^]			
0.012μF (123)							K [^]			
0.015μF (153)							K [^]			

1. The letter in cell is expressed the symbol of product thickness.

Y5V Dielectric 200V to 250V

Dielectric		Y5V							
Size		0805		1206		1210		1812	
Rated Voltage (VDC)		200	250	200	250	200	250	200	250
capacitance	0.010μF (103)	B	B	B	B	C	C	D	D
	0.015μF (153)	B	B	B	B	C	C	D	D
	0.022μF (223)	B	B	B	B	C	C	D	D
	0.033μF (333)	B	B	B	B	C	C	D	D
	0.047μF (473)	B	B	B	B	C	C	D	D
	0.068μF (683)	B	B	B	B	C	C	D	D
	0.10μF (104)			B	B	C	C	D	D
	0.15μF (154)			C	C	C	C	D	D
	0.22μF (224)							D	D
	0.33μF (334)							D	D
	0.47μF (474)							D	D
	0.68μF (684)							D	D
	1.0μF (105)								

1. The letter in cell is expressed the symbol of product thickness.



■ HOW TO ORDER

S2	42	N	100	J	502	L	T
Series	Size	Dielectric	Capacitance	Tolerance	Peak Impulse Voltage	Termination	Packaging
S2=X1/Y2	42=1808 (4520) 43=1812 (4532) 52=2211 (5728)	N=NP0 (C0G) B=X7R	Two significant digits followed by no. of zeros. And R is in place of decimal point. eg.: 100=10x10 ⁰ =10pF	J=±5% K=±10%	Two significant digits followed by no. of zeros. And R is in place of decimal point. 502=5000 V Impulse Voltage	L=Ag/Ni/Sn	B=Bulk T=7"reeled

■ PACKAGING DIMENSION AND QUANTITY

Size	Thickness (mm)/Symbol		7" reel / Paper tape
1808 (4520)	1.25±0.10	D	2k
	2.00±0.20	K	1k
1812 (4532)	1.25±0.10	D	1k
	2.00±0.20	K	1k
2211 (5728)	1.60±0.20	G	1k
	2.00±0.20	K	1k
	2.50±0.30	M	0.5k

Unit: pieces

■ CAPACITANCE RANGE

Dielectric		NPO		X7R		
Rated Voltage (VAC)		250		250		
Peak Impulse Voltage		5000		5000		
Size	1808	1812	1808	1812	2211	
capacitance	10pF (100)	D				
	12pF (120)	D	D			
	15pF (150)	D	D			
	18pF (180)	D	D			
	22pF (220)	D	D			
	27pF (270)	D	D			
	33pF (330)	D	D			
	39pF (390)	D	D			
	47pF (470)	D	D			
	56pF (560)	D	D			
	68pF (680)	D	D			
	82pF (820)	D	D			
	100pF (101)	D	D	G		
	120pF (121)	D	D	G		
	150pF (151)	D	D	G	G	G
	180pF (181)	K	D	G	G	G
	220pF (221)	K	D	G	G	G
	270pF (271)	K	K	K	G	G
	330pF (331)		K	K	G	G
	390pF (391)		K	K	G	G
	470pF (471)		K	K	G	K
	560pF (561)			K	G	K
	680pF (681)			K	K	K
	820pF (821)			K	K	K
1000pF (102)			K	M	M	
1200pF (122)					M	
1500pF (152)					M	
1800pF (182)					M	
2200pF (222)					M	

1. The letter in cell is expressed the symbol of product thickness.



■ HOW TO ORDER

S3	42	N	100	J	202	L	T
Series S3=X2/Y3	Size 42=1808 (4520) 43=1812 (4532)	Dielectric N=NP0 (C0G) B=X7R	Capacitance Two significant digits followed by no. of zeros. And R is in place of decimal point. Eg.: R47=0.47pF 0R5=0.5pF 1R0=1.0pF 100=10x10 ⁰ =10pF	Tolerance C=±0.25pF D=±0.5pF J=±5% K=±10% (C,D for Cap<10pF; J,K for Cap≥10pF)	Rated voltage Two significant digits followed by no. of zeros. And R is in place of decimal point. 202=2000 VDC 302=3000 VDC	Termination L=Ag/Ni/Sn	Packaging B=Bulk T=7"reeled

■ PACKAGING DIMENSION AND QUANTITY

Size	Thickness (mm)/Symbol		7" reel / Paper tape
1808 (4520)	1.25±0.10	D	2k
	2.00±0.20	K	1k
1812 (4532)	1.25±0.10	D	1k
	2.00±0.20	K	1k

Unit: pieces

■ CAPACITANCE RANGE

NP0 Dielectric

Dielectric		NPO				
Size		1808		1812		
Rated Voltage (VAC)		250		250		
Rated Voltage (VDC)		2000	3000	2000	3000	
capacitance	3.9pF (3R9)		D*			
	4.7pF (4R7)		D*			
	5.0pF (5R0)		D*			
	5.6pF (5R6)		D*			
	6.8pF (6R8)		D*			
	8.2pF (8R2)		D*			
	10pF (100)	D		D	D*	D*
	12pF (120)	D		D	D	D
	15pF (150)	D		D	D	D
	18pF (180)	D		D	D	D
	22pF (220)	D		D	D	D
	27pF (270)	D		D	D	D
	33pF (330)	D		D	D	D
	39pF (390)	D		D	D	D
	47pF (470)	D		D	D	D
	56pF (560)	D		D	D	D
	68pF (680)	D		D	D	D
	82pF (820)	D		D	D	D
	100pF (101)	D		D	D	D
	120pF (121)	D		D	D	D
	150pF (151)	D		D	D	D
	180pF (181)	D		K	D	D
	220pF (221)	D		K	D	D
	270pF (271)	D		K	D	K
	330pF (331)	D			D	K
	390pF (391)	K			D	K
	470pF (471)	K			D	K
	560pF (561)	K			D	
680pF (681)	K			K		
820pF (821)				K		
1,000pF (102)				K		

** means it is only available for UL safety certificated.

1. The letter in cell is expressed the symbol of product thickness.

X7R Dielectric

Dielectric		X7R				
Size		1808		1812		
Rated Voltage (VAC)		250		250		
Rated Voltage (VDC)		2000	3000	2000	3000	
capacitance	150pF (151)	D				
	180pF (181)	D				
	220pF (221)	D				
	270pF (271)	D			D	
	330pF (331)	D		K*	D	
	390pF (391)	D		K*	D	
	470pF (471)	D		K*	D	
	560pF (561)	D		K	D	
	680pF (681)	D		K	D	K
	820pF (821)	D		K	D	K
	1,000pF (102)	K		K	D	K
	1,200pF (122)	K			D	
	1,500pF (152)	K			D	
	1,800pF (182)	K			D	
	2,200pF (222)	K			D	
	2,700pF (272)				D	
	3,300pF (332)				K	
	3,900pF (392)				K	
4,700pF (472)				K		

** means it is only available for UL safety certificated.

1. The letter in cell is expressed the symbol of product thickness.

HOW TO ORDER

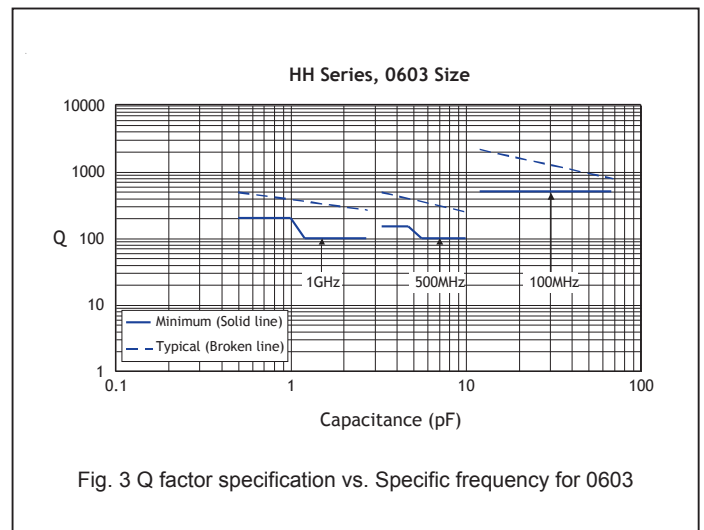
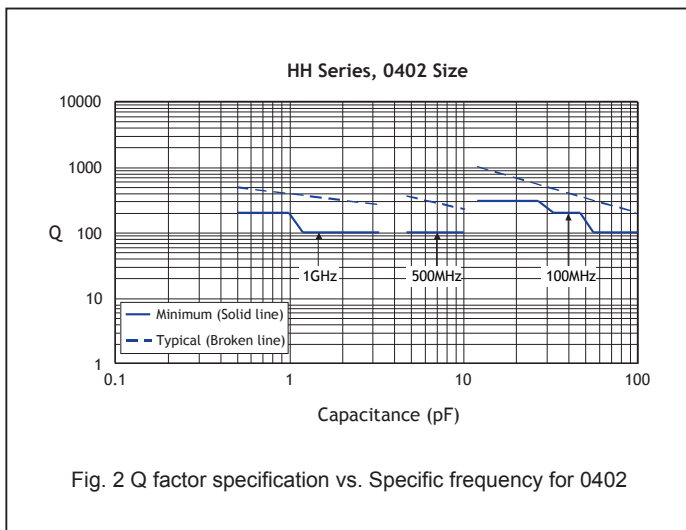
HH	15	N	100	G	500	L	T
Series	Size	Dielectric	Capacitance	Tolerance	Rated voltage	Termination	Packaging
HH= High Q/Low ESR	15=0402 (1005) 18=0603 (1608) 21=0805 (2012)	N=NP0 (COG)	Two significant digits followed by no. of zeros. And R is in place of decimal point. eg.: R47=0.47pF 0R5=0.5pF 1R0=1.0pF 100=10x10 ⁰ =10pF	B=±0.1pF C=±0.25pF D=±0.5pF F=±1% G=±2% J=±5%	Two significant digits followed by no. of zeros. And R is in place of decimal point. 160=16 VDC 250=25 VDC 500=50 VDC 101=100 VDC	L=Ag/Ni/Sn	T=7" reeled G=13" reeled

PACKAGING DIMENSION AND QUANTITY

Size	Thickness (mm)/Symbol		Paper tape	
			7" reel	13" reel
0402	0.50±0.05	N	10k	20k
0603	0.80±0.07	S	4k	15k
0805	0.60±0.10	A	4k	15k

Unit: pieces

ELECTRICAL CHARACTERISTICS



■ CAPACITANCE RANGE

Dielectric		NPO								
Size		0402			0603				0805	
Rated Voltage (VDC)		16	25	50	16	25	50	100	50	100
capacitance	0.5pF (0R5)		N	N		S	S	S	A	A
	0.6pF (0R6)		N	N		S	S	S	A	A
	0.7pF (0R7)		N	N		S	S	S	A	A
	0.8pF (0R8)		N	N		S	S	S	A	A
	0.9pF (0R9)		N	N		S	S	S	A	A
	1.0pF (1R0)		N	N		S	S	S	A	A
	1.2pF (1R2)		N	N		S	S	S	A	A
	1.5pF (1R5)		N	N		S	S	S	A	A
	1.8pF (1R8)		N	N		S	S	S	A	A
	2.2pF (2R2)		N	N		S	S	S	A	A
	2.7pF (2R7)		N	N		S	S	S	A	A
	3.3pF (3R3)		N	N		S	S	S	A	A
	3.9pF (3R9)		N	N		S	S	S	A	A
	4.7pF (4R7)		N	N		S	S	S	A	A
	5.6pF (5R6)		N	N		S	S	S	A	A
	6.8pF (6R8)		N	N		S	S	S	A	A
	8.2pF (8R2)		N	N		S	S	S	A	A
	10pF (100)		N	N		S	S	S	A	A
	12pF (120)		N	N		S	S	S	A	A
	15pF (150)		N	N		S	S	S	A	A
	18pF (180)		N	N		S	S	S	A	A
	22pF (220)		N	N		S	S	S	A	A
	27pF (270)		N	N		S	S	S	A	A
	33pF (330)		N	N		S	S	S	A	A
	39pF (390)		N	N		S	S	S	A	A
	47pF (470)		N	N		S	S	S	A	A
	56pF (560)		N	N		S	S	S	A	A
	68pF (680)		N	N		S	S	S	A	A
	82pF (820)		N	N		S	S	S	A	A
	100pF (101)		N	N		S	S	S	A	A
	120pF (121)		N	N		S	S	S	A	A
	150pF (151)		N	N		S	S	S	A	A
	180pF (181)		N	N		S	S	S		
220pF (221)		N	N		S	S	S			
270pF (271)	N				S	S	S			
330pF (331)	N				S	S	S			
390pF (391)	N				S	S	S			
470pF (471)	N				S	S	S			
560pF (561)					S	S				
680pF (681)					S	S				
820pF (821)					S	S				
1,000pF (102)					S	S				
1,200pF (122)					S					
1,500pF (152)					S					
1,800pF (182)					S					
2,200pF (222)					S					
2,700pF (272)					S					
3,300pF (332)					S					

1. The letter in cell is expressed the symbol of product thickness.

■ HOW TO ORDER

RF	15	N	100	G	500	C	T
Series RF=Ultra High Q and Low ESR	Size 03=0201 (0603) 15=0402 (1005) 18=0603 (1608)	Dielectric N=NP0 (COG)	Capacitance Two significant digits followed by no. of zeros. And R is in place of decimal point. Eg.: R47=0.47pF 0R5=0.5pF 1R0=1.0pF 100=10x10 ⁰ =10pF	Tolerance A=±0.05pF B=±0.1pF C=±0.25pF F=±1% G=±2% J=±5% A for Cap<5pF; B,C,D for Cap<10pF; F,G,J for Cap≥10pF)	Rated voltage Two significant digits followed by no. of zeros. And R is in place of decimal point. 250=25 VDC 500=50 VDC 101=100 VDC 251=250 VDC	Termination C=Cu/Ni/Su	Packaging B=Bulk C=Bulk cassette T=7"reeled G=13"reeled

■ PACKAGING DIMENSION AND QUANTITY

Size	Thickness (mm)/Symbol		Paper tape	
			7" reel	13" reel
0201	0.30±0.03	L	15k	-
0402	0.50±0.05	N	10k	20k
0603	0.80±0.07	S	4k	15k

Unit: pieces

■ CAPACITANCE RANGE

Dielectric		NPO				
Size	0201	0402	0603			
Rated Voltage (VDC)	25	50	50	100	250	
capacitance	0.1pF (0R1)	L	N			
	0.2pF (0R2)	L	N			
	0.3pF (0R3)	L	N			
	0.4pF (0R4)	L	N	S	S	S
	0.5pF (0R5)	L	N	S	S	S
	0.6pF (0R6)	L	N	S	S	S
	0.7pF (0R7)	L	N	S	S	S
	0.8pF (0R8)	L	N	S	S	S
	0.9pF (0R9)	L	N	S	S	S
	1.0pF (1R0)	L	N	S	S	S
	1.2pF (1R2)	L	N	S	S	S
	1.5pF (1R5)	L	N	S	S	S
	1.8pF (1R8)	L	N	S	S	S
	2.0pF (2R0)	L	N	S	S	S
	2.2pF (2R2)	L	N	S	S	S
	2.7pF (2R7)	L	N	S	S	S
	3.0pF (3R0)	L	N	S	S	S
	3.3pF (3R3)	L	N	S	S	S
	3.9pF (3R9)	L	N	S	S	S
	4.0pF (4R0)	L	N	S	S	S
	4.7pF (4R7)	L	N	S	S	S
	5.0pF (5R0)	L	N	S	S	S
	5.6pF (5R6)	L	N	S	S	S
	6.0pF (6R0)	L	N	S	S	S
	6.8pF (6R8)	L	N	S	S	S
	7.0pF (7R0)	L	N	S	S	S
	8.0pF (8R0)	L	N	S	S	S
	8.2pF (8R2)	L	N	S	S	S
	9.0pF (9R0)	L	N	S	S	S
	10pF (100)	L	N	S	S	S
12pF (120)	L	N	S	S	S	
15pF (150)	L	N	S	S	S	
18pF (180)	L	N	S	S	S	
22pF (220)		N	S	S	S	
27pF (270)			S	S	S	
33pF (330)			S	S	S	
39pF (390)			S	S	S	
47pF (470)			S	S	S	

1. The letter in cell is expressed the symbol of product thickness.

2. For more information about products with special capacitance or other data, please contact WTC local representative.

HOW TO ORDER

OP	32	B	103	K	201	C	T
Series	Size	Dielectric	Capacitance	Tolerance	Rated voltage	Termination	Packaging
OP=Open-mode	21=0805 (2012) 31=1206 (3216) 32=1210 (3225) 43=1812 (4532)	B=X7R	Two significant digits followed by no. of zeros. And R is in place of decimal point. eg.: 102=10x10 ² =1000pF	K=±10% M=±20%	Two significant digits followed by no. of zeros. And R is in place of decimal point. 101=100 VDC 201=200 VDC 251=250 VDC 501=500 VDC	L=Ag/Ni/Sn C=Cu/Ni/Sn (Note 1)	B=Bulk T=7"reeled G=13"reeled

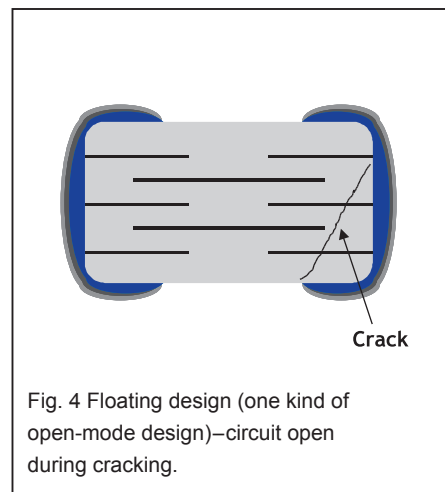
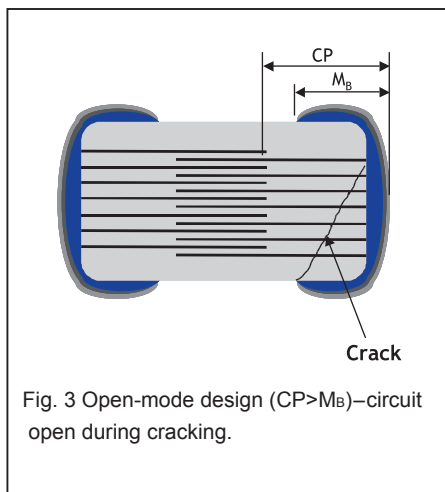
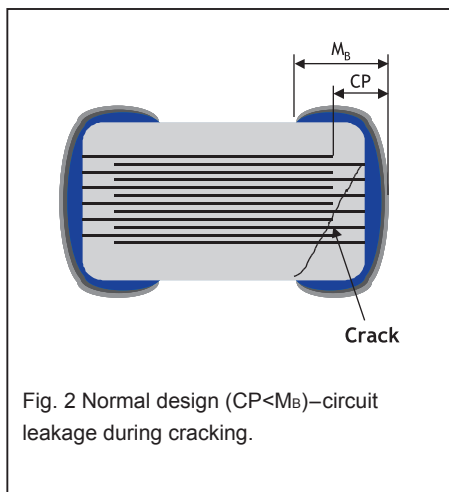
Note 1: Please see below product rang table to find right termination code.

PACKAGING DIMENSION AND QUANTITY

Size	Thickness (mm)/Symbol		Paper tape		Plastic tape	
			7" reel	13" reel	7" reel	13" reel
0805	0.80 ± 0.10	B	4k	15k	-	-
	1.25 ± 0.10	D	-	-	3k	10k
1206	0.80 ± 0.10	B	4k	15k	-	-
	0.95 ± 0.10	C	-	-	3k	10k
	1.25 ± 0.10	D	-	-	3k	10k
1210	1.60 ± 0.20	G	-	-	2k	-
	0.95 ± 0.10	C	-	-	3k	10k
	1.25 ± 0.10	D	-	-	3k	10k
	1.60 ± 0.20	G	-	-	2k	-
1812	2.50 ± 0.30	M	-	-	1k	-
	1.25 ± 0.10	D	-	-	1k	-
	2.00 ± 0.20	K	-	-	1k	-

Unit: pieces

INNER CONSTRUCTION OF OPEN-MODE DESIGN



■ CAPACITANCE RANGE

Dielectric		X7R															
Size		0805				1206				1210				1812			
Rated Voltage (VDC)		100	200	250	500	100	200	250	500	100	200	250	500	100	200	250	500
capacitance	100pF (101)	B	B	B	B [^]												
	120pF (121)	B	B	B	B [^]												
	150pF (151)	B	B	B	B [^]	B	D	D	D [^]								
	180pF (181)	B	B	B	B [^]	B	D	D	D [^]								
	220pF (221)	B	B	B	B [^]	B	D	D	D [^]								
	270pF (271)	B	B	B	B [^]	B	D	D	D [^]								
	330pF (331)	B	B	B	B [^]	B	D	D	D [^]								
	390pF (391)	B	B	B	B [^]	B	D	D	D [^]								
	470pF (471)	B	B	B	B [^]	B	D	D	D [^]								
	560pF (561)	B	B	B	B [^]	B	D	D	D [^]								
	680pF (681)	B	B	B	B [^]	B	D	D	D [^]								
	820pF (821)	B	B	B	B [^]	B	D	D	D [^]								
	1,000pF (102)	B	B	B	B [^]	B	D	D	D [^]	C	C	C	C [^]	D	D	D	D [^]
	1,200pF (122)	B	B	B	B [^]	B	D	D	D [^]	C	C	C	C [^]	D	D	D	D [^]
	1,500pF (152)	B	B	B	B [^]	B	D	D	D [^]	C	C	C	C [^]	D	D	D	D [^]
	1,800pF (182)	B	B	B	B [^]	B	D	D	D [^]	C	C	C	C [^]	D	D	D	D [^]
	2,200pF (222)	B	B	B	B [^]	B	D	D	D [^]	C	C	C	C [^]	D	D	D	D [^]
	2,700pF (272)	B	B	B	B [^]	B	D	D	D [^]	C	C	C	C [^]	D	D	D	D [^]
	3,300pF (332)	B	B	B	B [^]	B	D	D	D [^]	C	C	C	C [^]	D	D	D	D [^]
	3,900pF (392)	B	B	B		B	D	D	D [^]	C	C	C	C [^]	D	D	D	D [^]
	4,700pF (472)	B	B	B		B	D	D	D [^]	C	C	C	C [^]	D	D	D	D [^]
	5,600pF (562)	B	D	D		B	D	D	D [^]	C	C	C	C [^]	D	D	D	D [^]
	6,800pF (682)	B	D	D		B	D	D	D [^]	C	C	C	C [^]	D	D	D	D [^]
	8,200pF (822)	B	D	D		B	D	D	D [^]	C	C	C	C [^]	D	D	D	D [^]
	0.010μF (103)	B	D	D		B	D	D	D [^]	C	C	C	C [^]	D	D	D	D [^]
	0.012μF (123)	B	D	D		B	D	D	D [^]	C	C	C	C [^]	D	D	D	D [^]
	0.015μF (153)	B	D	D		B	D	D	D [^]	C	C	C	C [^]	D	D	D	D [^]
	0.018μF (183)	B	D	D		B	D	D	D [^]	C	C	C	C [^]	D	D	D	D [^]
	0.022μF (223)	B	D	D		B	D	D	G [^]	C	C	C	D [^]	D	D	D	D [^]
	0.027μF (273)	D				B	D	D	G [^]	C	C	C	G [^]	D	D	D	D [^]
	0.033μF (333)	D				B	G	G	G [^]	C	C	C	G [^]	D	D	D	D [^]
	0.039μF (393)	D				B	G	G		C	C	C	G [^]	D	D	D	D [^]
	0.047μF (473)	D				B	G	G		C	D	D	G [^]	D	D	D	D [^]
	0.056μF (563)					B	G	G		C	D	D	G [^]	D	D	D	K [^]
	0.068μF (683)					B	G	G		C	G	G		D	D	D	K [^]
	0.082μF (823)					B	G	G		C	G	G		D	D	D	K [^]
0.10μF (104)					D	G	G		C	G	G		D	D	D	K [^]	
0.12μF (124)					D				C	G	G		D	D	D		
0.15μF (154)					G				D	M	M		D	K	K		
0.18μF (184)					G				D	M	M		D	K	K		
0.22μF (224)					G				D	M	M		D	K	K		
0.27μF (274)									G				D	K	K		
0.33μF (334)									G				D	K	K		
0.39μF (394)									M				D	K	K		
0.47μF (474)									M				K	K	K		
0.56μF (564)									M				K				
0.68μF (684)													K				
0.82μF (824)													K				
1.0μF (105)													K				

1. The letter in cell is expressed the symbol of product thickness.
2. The letter in cell with " ^ " mark is expressed product with Ag/Ni/Sn terminations.

■ HOW TO ORDER

LD	31	B	102	K	201	L	T
Series LD=Low Distortion	Size 31=1206 (3216)	Dielectric B=X7R D=X7E	Capacitance Two significant digits followed by no. of zeros. And R is in place of decimal point. Eg.: 102=10x10 ² =1000pF	Tolerance K=±10% M=±20%	Rated voltage Two significant digits followed by no. of zeros. And R is in place of decimal point. 101=100 VDC 201=200 VDC 251=250 VDC 351=350 VDC 501=500 VDC 631=630 VDC	Termination L=Ag/Ni/Sn	Packaging B=Bulk T=7"reeled G=13"reeled

■ PACKAGING DIMENSION AND QUANTITY

Size	Thickness (mm)/Symbol		Paper tape		Paper tape	
			7" reel	13" reel	7" reel	13" reel
1206	1.25±0.10	D	-	-	3k	10k

Unit: pieces

■ CAPACITANCE RANGE

Dielectric		X7R / X7E					
Size		1206					
Rated Voltage (VDC)		100	200	250	350	500	630
capacitance	100pF (101)						
	120pF (121)						
	150pF (151)	D	D	D	D	D	D
	180pF (181)	D	D	D	D	D	D
	220pF (221)	D	D	D	D	D	D
	270pF (271)	D	D	D	D	D	D
	330pF (331)	D	D	D	D	D	D
	390pF (391)	D	D	D	D	D	D
	470pF (471)	D	D	D	D	D	D
	560pF (561)	D	D	D	D	D	D
	680pF (681)	D	D	D	D	D	D
	820pF (821)	D	D	D	D	D	D
	1000pF (102)	D	D	D	D	D	D
	1200pF (122)	D	D	D	D	D	D
	1500pF (152)	D	D	D	D	D	D
	1800pF (182)	D	D	D	D	D	D
	2200pF (222)	D	D	D	D	D	D
	2700pF (272)	D	D	D	D	D	D
	3300pF (332)	D	D	D	D	D	D
	3900pF (392)	D	D	D	D	D	D
	4700pF (472)	D	D	D	D	D	D
	5600pF (562)	D	D	D	D	D	D
	6800pF (682)	D	D	D	D	D	D
	8200pF (822)	D	D	D	D	D	D
	0.010μF (103)	D	D	D	D	D	D
	0.012μF (123)	D	D	D	D	D	D
	0.015μF (153)	D	D	D	D	D	D
	0.018μF (183)	D	D	D	D	G	G
	0.022μF (223)	D	D	D	D	G	G
	0.027μF (273)	D	D	D	D	G	G
	0.033μF (333)	D	D	D	D	G	G
	0.039μF (393)	D	D	D	D		
	0.047μF (473)	D	D	D	D		
0.056μF (563)	D						
0.068μF (683)	D						
0.082μF (823)	D						
0.1μF (104)	D						

1. The letter in cell is expressed the symbol of product thickness.

■ HOW TO ORDER

Y	4C	3	B	103	K	500	C	T
Series Y=Capacitor Array	Cap. Nr. 4C=4xCap	Termination pitch 3=0.03" pitch	Dielectric N=NP0 (C0G) B=X7R F=Y5V	Capacitance Two significant digits followed by no. of zeros. And R is in place of decimal point. eg.: 103=10x10 ³ =10,000pF =10nF	Tolerance J=±5% K=±10% M=±20% Z=-20%~+80%	Rated voltage Two significant digits followed by no. of zeros. And R is in place of decimal point. 160=16 VDC 250=25 VDC 500=50 VDC	Termination L=Ag/Ni/Sn (for NP0 dielectric) C=Cu/Ni/Sn (for X7R, Y5V, dielectric)	Packaging T=7"reeled

■ PACKAGING DIMENSION AND QUANTITY

Size	Thickness (mm)/Symbol		Paper tape	
			7" reel	13" reel
4 x 0603	0.80±0.10	B	4k	-

Unit: pieces

■ CAPACITANCE RANGE

Size	4 x 0603				
	Dielectric	NPO	X7R		Y5V
	Rated Voltage (VDC)	50	16	50	50
capacitance	10pF (100)	B			
	15pF (150)	B			
	22pF (220)	B			
	33pF (330)	B			
	47pF (470)	B			
	68pF (680)	B			
	100pF (101)	B			
	150pF (151)	B			
	180pF (181)	B		B	
	220pF (221)	B		B	
	330pF (331)	B		B	
	470pF (471)	B		B	
	1,000pF (102)			B	
	1,500pF (152)			B	
	2,200pF (222)			B	
	3,300pF (332)			B	
	4,700pF (472)			B	
	6,800pF (682)			B	
	0.010µF (103)			B	B
	0.015µF (153)		B	B	B
0.022µF (223)		B	B	B	
0.033µF (333)		B		B	
0.047µF (473)		B		B	
0.068µF (683)		B			
0.10µF (104)		B		B	

1. The letter in cell is expressed the symbol of product thickness.

■ HOW TO ORDER

0612	B	103	K	500	C	T
Size Inch (mm) 0612 (1632)	Dielectric B=X7R	Capacitance Two significant digits followed by no. of zeros. And R is in place of decimal point. eg.: 103=10x10 ³ =10nF	Tolerance K=±10% M=±20%	Rated voltage Two significant digits followed by no. of zeros. And R is in place of decimal point. eg.: 500=50 VDC	Termination C=Cu/Ni/Sn	Packaging T=7"reeled

■ PACKAGING DIMENSION AND QUANTITY

Size	Thickness (mm)/Symbol	7" reel / Paper tape
0612 (1632)	0.80±0.10 B	4k

Unit: pieces

■ CAPACITANCE RANGE

Size	X7R
Dielectric	0612
Rated Voltage (VDC)	50
10nF (103)	B
12nF (123)	B
15nF (153)	B
18nF (183)	B
22nF (223)	B
27nF (273)	B
33nF (333)	B
39nF (393)	B
47nF (473)	B
56nF (563)	B
68nF (683)	B
82nF (823)	B
100nF (104)	B
120nF (124)	B
150nF (154)	B

1. The letter in cell is expressed the symbol of product thickness.

NO.	Item	Test Condition	Requirements																																																																						
1.	Visual and Mechanical	---	* No remarkable defect. * Dimensions to confirm to individual specification sheet.																																																																						
2.	Capacitance	Class I : NPO Cap≤1000pF 1.0±0.2Vrms, 1MHz±10% Cap>1000pF 1.0±0.2Vrms, 1KHz±10%	* Shall not exceed the limits given in the detailed spec.																																																																						
3.	Q/ D.F. (Dissipation Factor)	Class II : X7R, X5R, Y5V Cap≤10±F, 1.0±0.2Vrms, 1KHz±10% Cap>10±F, 0.5±0.2Vrms, 120Hz±20%	NPO: Cap≥30pF, Q≥1000; Cap<30pF, Q≥400+20C, RF series: Q>2500 X7R / X5R: <table border="1"> <thead> <tr> <th>Rated vol.</th> <th>D.F.≤</th> <th colspan="2">Exception D.F.≤</th> </tr> </thead> <tbody> <tr> <td>≥50V</td> <td>≤2.5%</td> <td>≤3%</td> <td>0201(50V);0603≥0.047μF;0805≥0.18μF; 1206≥0.47μF</td> </tr> <tr> <td>35V</td> <td>≤3.5%</td> <td></td> <td></td> </tr> <tr> <td rowspan="3">25V</td> <td rowspan="3">≤3.5%</td> <td>≤5%</td> <td>0805≥1μF, 1210≥10μF</td> </tr> <tr> <td>≤7%</td> <td>0603≥0.33μF; TT series & Cap≥1μF; 0402≥0.1μF; 1206≥4.7μF</td> </tr> <tr> <td>≤10%</td> <td>0603≥0.47μF, 0805≥2.2μF; 1206≥6.8μF</td> </tr> <tr> <td rowspan="2">16V</td> <td rowspan="2">≤3.5%</td> <td>≤5%</td> <td>0402≥0.033μF; 0603≥0.15μF; 0805≥0.68μF; 1206≥2.2μF; 1210≥4.7μF</td> </tr> <tr> <td>≤10%</td> <td>0603≥0.68μF; 0805≥2.2μF; 1206≥4.7μF; 1210≥22μF; TT series & Cap≥1μF</td> </tr> <tr> <td>10V</td> <td>≤5.0%</td> <td>≤10%</td> <td>TT series & Cap≥1μF; 0603≥0.33μF; 0805≥2.2μF; 1206≥2.2μF; 1210≥22μF</td> </tr> <tr> <td rowspan="2">6.3V</td> <td rowspan="2">≤10%</td> <td>≤15%</td> <td>0603≥10μF; 0805≥4.7μF; 1210≥100μF; TT series & Cap≥1μF</td> </tr> <tr> <td>≤20%</td> <td>0402≥2.2μF</td> </tr> </tbody> </table> X7R, LD series; 100V: DF ≤ 1.4%; 200V & 250V: DF ≤ 1.0% Y5V <table border="1"> <thead> <tr> <th>Rated vol.</th> <th>D.F.≤</th> <th colspan="2">Exception D.F.≤</th> </tr> </thead> <tbody> <tr> <td>≥50V</td> <td>≤5%</td> <td>≤7%</td> <td>0603≥0.1μF; 0805≥0.47μF</td> </tr> <tr> <td>35V</td> <td>≤7%</td> <td>---</td> <td>---</td> </tr> <tr> <td rowspan="2">25V</td> <td rowspan="2">≤5%</td> <td>≤7%</td> <td>0402≥0.047μF; 0603≥0.1μF; 0805≥0.33μF; 1206≥1μF; 1210≥4.7μF</td> </tr> <tr> <td>≤9%</td> <td>0402≥0.068μF; 0603≥0.47μF; 1206≥4.7μF</td> </tr> <tr> <td>16V(C<1μF)</td> <td>≤7%</td> <td>≤9%</td> <td>0402≥0.068μF; 0603≥0.68μF</td> </tr> <tr> <td>16V(C≥1μF)</td> <td>≤9%</td> <td>≤12.5%</td> <td>0805≥4.7μF; 1206≥10μF; 1210≥22μF; 1812≥47μF; TT series & Cap≥1μF</td> </tr> <tr> <td>10V</td> <td>≤12.5%</td> <td>---</td> <td>---</td> </tr> <tr> <td>6.3V</td> <td>≤20%</td> <td>---</td> <td>---</td> </tr> </tbody> </table>	Rated vol.	D.F.≤	Exception D.F.≤		≥50V	≤2.5%	≤3%	0201(50V);0603≥0.047μF;0805≥0.18μF; 1206≥0.47μF	35V	≤3.5%			25V	≤3.5%	≤5%	0805≥1μF, 1210≥10μF	≤7%	0603≥0.33μF; TT series & Cap≥1μF; 0402≥0.1μF; 1206≥4.7μF	≤10%	0603≥0.47μF, 0805≥2.2μF; 1206≥6.8μF	16V	≤3.5%	≤5%	0402≥0.033μF; 0603≥0.15μF; 0805≥0.68μF; 1206≥2.2μF; 1210≥4.7μF	≤10%	0603≥0.68μF; 0805≥2.2μF; 1206≥4.7μF; 1210≥22μF; TT series & Cap≥1μF	10V	≤5.0%	≤10%	TT series & Cap≥1μF; 0603≥0.33μF; 0805≥2.2μF; 1206≥2.2μF; 1210≥22μF	6.3V	≤10%	≤15%	0603≥10μF; 0805≥4.7μF; 1210≥100μF; TT series & Cap≥1μF	≤20%	0402≥2.2μF	Rated vol.	D.F.≤	Exception D.F.≤		≥50V	≤5%	≤7%	0603≥0.1μF; 0805≥0.47μF	35V	≤7%	---	---	25V	≤5%	≤7%	0402≥0.047μF; 0603≥0.1μF; 0805≥0.33μF; 1206≥1μF; 1210≥4.7μF	≤9%	0402≥0.068μF; 0603≥0.47μF; 1206≥4.7μF	16V(C<1μF)	≤7%	≤9%	0402≥0.068μF; 0603≥0.68μF	16V(C≥1μF)	≤9%	≤12.5%	0805≥4.7μF; 1206≥10μF; 1210≥22μF; 1812≥47μF; TT series & Cap≥1μF	10V	≤12.5%	---	---	6.3V	≤20%	---	---
Rated vol.	D.F.≤	Exception D.F.≤																																																																							
≥50V	≤2.5%	≤3%	0201(50V);0603≥0.047μF;0805≥0.18μF; 1206≥0.47μF																																																																						
35V	≤3.5%																																																																								
25V	≤3.5%	≤5%	0805≥1μF, 1210≥10μF																																																																						
		≤7%	0603≥0.33μF; TT series & Cap≥1μF; 0402≥0.1μF; 1206≥4.7μF																																																																						
		≤10%	0603≥0.47μF, 0805≥2.2μF; 1206≥6.8μF																																																																						
16V	≤3.5%	≤5%	0402≥0.033μF; 0603≥0.15μF; 0805≥0.68μF; 1206≥2.2μF; 1210≥4.7μF																																																																						
		≤10%	0603≥0.68μF; 0805≥2.2μF; 1206≥4.7μF; 1210≥22μF; TT series & Cap≥1μF																																																																						
10V	≤5.0%	≤10%	TT series & Cap≥1μF; 0603≥0.33μF; 0805≥2.2μF; 1206≥2.2μF; 1210≥22μF																																																																						
6.3V	≤10%	≤15%	0603≥10μF; 0805≥4.7μF; 1210≥100μF; TT series & Cap≥1μF																																																																						
		≤20%	0402≥2.2μF																																																																						
Rated vol.	D.F.≤	Exception D.F.≤																																																																							
≥50V	≤5%	≤7%	0603≥0.1μF; 0805≥0.47μF																																																																						
35V	≤7%	---	---																																																																						
25V	≤5%	≤7%	0402≥0.047μF; 0603≥0.1μF; 0805≥0.33μF; 1206≥1μF; 1210≥4.7μF																																																																						
		≤9%	0402≥0.068μF; 0603≥0.47μF; 1206≥4.7μF																																																																						
16V(C<1μF)	≤7%	≤9%	0402≥0.068μF; 0603≥0.68μF																																																																						
16V(C≥1μF)	≤9%	≤12.5%	0805≥4.7μF; 1206≥10μF; 1210≥22μF; 1812≥47μF; TT series & Cap≥1μF																																																																						
10V	≤12.5%	---	---																																																																						
6.3V	≤20%	---	---																																																																						
4a.	Dielectric Strength	* To apply voltage (≤50V) 250%. * Duration : 1 to 5 sec. * Charge & discharge current less than 50mA. * To apply voltage : 100V ≥3 times V DC 200V ~ 300V&LD series ≥2 times V DC 500V ~ 999V ≥1.5 times V DC 1000V ~ 3000V ≥1.2 times V DC * Cut-off, set at 10mA * TEST= 15 sec. * RAMP=0	* No evidence of damage or flash over during test.																																																																						
4b.	Dielectric Strength (for X1/Y2 & X2/Y3)	* To apply 1500 VAC voltage. * Duration: 60 sec.	* No evidence of damage or flash over during test.																																																																						
5.	Insulation Resistance	To apply rated voltage for max. 120 sec. Rated voltage: 200 ~ 630V To apply rated voltage (500V max) for 60 sec Rated voltage: > 630V To apply 500V for 60 sec	10GΩ or RxC≥500Ω-F whichever is smaller. Class II (X5R, X6S, X7R, Y5V) <table border="1"> <thead> <tr> <th>Rated voltage</th> <th>Insulation Resistance</th> </tr> </thead> <tbody> <tr> <td>10V:0603>0.47μF;0805>2.2μF; 1206>4.7μF</td> <td rowspan="2">≥100 Ω-F</td> </tr> <tr> <td>6.3V</td> </tr> </tbody> </table> ≥10GΩ or 100Ω-F whichever is smaller. ≥10GΩ	Rated voltage	Insulation Resistance	10V:0603>0.47μF;0805>2.2μF; 1206>4.7μF	≥100 Ω-F	6.3V																																																																	
Rated voltage	Insulation Resistance																																																																								
10V:0603>0.47μF;0805>2.2μF; 1206>4.7μF	≥100 Ω-F																																																																								
6.3V																																																																									
6.	Temperature Coefficient	With no electrical load. <table border="1"> <thead> <tr> <th>T.C.</th> <th>Operating Temp</th> </tr> </thead> <tbody> <tr> <td>NPO (C0G)</td> <td>-55~125°C at 25°C</td> </tr> <tr> <td>NPO (C0J)</td> <td>-55~125°C at 25°C</td> </tr> <tr> <td>X7R</td> <td>-55~125°C at 25°C</td> </tr> <tr> <td>X6S</td> <td>-55~105°C at 25°C</td> </tr> <tr> <td>X5R</td> <td>-55~85°C at 25°C</td> </tr> <tr> <td>Y5V</td> <td>-25~85°C at 20°C</td> </tr> </tbody> </table>	T.C.	Operating Temp	NPO (C0G)	-55~125°C at 25°C	NPO (C0J)	-55~125°C at 25°C	X7R	-55~125°C at 25°C	X6S	-55~105°C at 25°C	X5R	-55~85°C at 25°C	Y5V	-25~85°C at 20°C	<table border="1"> <thead> <tr> <th>T.C.</th> <th>Capacitance Change</th> </tr> </thead> <tbody> <tr> <td>NPO (C0G)</td> <td>Within ±30ppm / °C</td> </tr> <tr> <td>NPO (C0J)</td> <td>Within ±120ppm / °C</td> </tr> <tr> <td>X7R</td> <td>Within ±15%</td> </tr> <tr> <td>X6S</td> <td>Within ±22%</td> </tr> <tr> <td>X5R</td> <td>Within ±15%</td> </tr> <tr> <td>Y5V</td> <td>Within ±30%/-80%</td> </tr> </tbody> </table>	T.C.	Capacitance Change	NPO (C0G)	Within ±30ppm / °C	NPO (C0J)	Within ±120ppm / °C	X7R	Within ±15%	X6S	Within ±22%	X5R	Within ±15%	Y5V	Within ±30%/-80%																																										
T.C.	Operating Temp																																																																								
NPO (C0G)	-55~125°C at 25°C																																																																								
NPO (C0J)	-55~125°C at 25°C																																																																								
X7R	-55~125°C at 25°C																																																																								
X6S	-55~105°C at 25°C																																																																								
X5R	-55~85°C at 25°C																																																																								
Y5V	-25~85°C at 20°C																																																																								
T.C.	Capacitance Change																																																																								
NPO (C0G)	Within ±30ppm / °C																																																																								
NPO (C0J)	Within ±120ppm / °C																																																																								
X7R	Within ±15%																																																																								
X6S	Within ±22%																																																																								
X5R	Within ±15%																																																																								
Y5V	Within ±30%/-80%																																																																								
7.	Adhesive Strength of Termination	* Pressurizing force: 0201: 2N 0402 & 0603: 5N >0603: 10N * Test time: 10±1 sec.	* No remarkable damage or removal of the terminations.																																																																						

Appendix I : Reliability Test Conditions and Requirements

NO.	Item	Test Condition	Requirements																																																	
8.	Vibration Resistance	<ul style="list-style-type: none"> * Vibration frequency: 10~55 Hz/min. * Total amplitude: 1.5mm * Test time: 6 hrs. (Two hrs each in three mutually perpendicular directions.) 	<ul style="list-style-type: none"> * No remarkable damage. * Cap change and Q/D.F.: To meet initial spec. 																																																	
9.	Solderability	<ul style="list-style-type: none"> * Solder temperature: 235±5 °C * Dipping time: 2±0.5 sec. 	95% min. coverage of all metalized area.																																																	
10.	Bending Test	<ul style="list-style-type: none"> * The middle part of substrate shall be pressurized by means of the pressurizing rod at a rate of about 1 mm per second until the deflection becomes 1 mm and then the pressure shall be maintained for 5±1 sec. * Measurement to be made after keeping at room temp. for 24±2 hrs. 	<ul style="list-style-type: none"> * No remarkable damage. * Cap change: NP0: within ±5.0% or ±0.5pF whichever is larger. X7R, X5R: within ±12.5% Y5V: within ±30% (This capacitance change means the change of capacitance under specified flexure of substrate from the capacitance measured before the test.) 																																																	
11.	Resistance to Soldering Heat	<ul style="list-style-type: none"> * Solder temperature: 270±5°C * Dipping time: 10±1 sec * Preheating: 120 to 150°C for 1 minute before immerse the capacitor in an eutectic solder. * Before initial measurement (Class II only): Perform 150+0/-10°C for 1 hr and then set for 48±4 hrs at room temp. * Measurement to be made after keeping at room temp. for 24±2 hrs. (Class I) or 48±4 hrs. (Class II). 	<ul style="list-style-type: none"> * No remarkable damage. * Cap change: NP0: within ±2.5% or ±0.25pF whichever is larger. X7R, X5R: within ±7.5% Y5V: within ±20% * Q/D.F., I.R. and dielectric strength: To meet initial requirements. * 25% max. leaching on each edge. 																																																	
12.	Temperature Cycle	<ul style="list-style-type: none"> * Conduct the five cycles according to the temperatures and time. <table border="1"> <thead> <tr> <th>Step</th> <th>Temp.(°C)</th> <th>Time.(min.)</th> </tr> </thead> <tbody> <tr> <td>1</td> <td>Min. operating temp. +0/-3</td> <td>30±3</td> </tr> <tr> <td>2</td> <td>Room temp.</td> <td>2~3</td> </tr> <tr> <td>3</td> <td>Max. operating temp. +3/-0</td> <td>30±3</td> </tr> <tr> <td>4</td> <td>Room temp.</td> <td>2~3</td> </tr> </tbody> </table> <ul style="list-style-type: none"> * Before initial measurement (Class II only): Perform 150+0/-10°C for 1 hr and then set for 48±4 hrs at room temp. * Measurement to be made after keeping at room temp. for 24±2 hrs. (Class I) or 48±4 hrs. (Class II). 	Step	Temp.(°C)	Time.(min.)	1	Min. operating temp. +0/-3	30±3	2	Room temp.	2~3	3	Max. operating temp. +3/-0	30±3	4	Room temp.	2~3	<ul style="list-style-type: none"> * No remarkable damage. * Cap change: NP0: within ±2.5% or ±0.25pF whichever is larger. X7R, X5R: within ±7.5% Y5V: within ±20% * Q/D.F., I.R. and dielectric strength: To meet initial requirements. 																																		
Step	Temp.(°C)	Time.(min.)																																																		
1	Min. operating temp. +0/-3	30±3																																																		
2	Room temp.	2~3																																																		
3	Max. operating temp. +3/-0	30±3																																																		
4	Room temp.	2~3																																																		
13.	Humidity (Steady State)	<ul style="list-style-type: none"> * Test temp.: 40±2°C * Humidity: 90~95% RH * Test time: 500+24/-0hrs. * Measurement to be made after keeping at room temp. for 24±2 hrs. (Class I) or 48±4 hrs. (Class II). 	<ul style="list-style-type: none"> * No remarkable damage. * Cap change: NP0: within ±5.0% or ±0.5pF whichever is larger. X7R/X5R: ≥10V, within ±12.5%, 6.3V, within ±25% TT series & Cap≥1μF, within ±25% Y5V: ≥10V, within ±30%, 6.3V, within +30/-40% * Q/D.F. value: NP0: More than 30pF Q≥350, 10pF≤C<30pF, Q≥275+2.5C Less than 10pF Q≥200+10C X7R/X5R: <table border="1"> <thead> <tr> <th>Rated vol.</th> <th>D.F.≤</th> <th>Exception D.F.≤</th> </tr> </thead> <tbody> <tr> <td>≥50V</td> <td>≤3%</td> <td>≤6% 0201(50V);0603≥0.047μF;0805≥0.18μF; 1206≥0.47μF</td> </tr> <tr> <td>35V</td> <td>≤5%</td> <td></td> </tr> <tr> <td rowspan="3">25V</td> <td rowspan="3">≤5%</td> <td>≤10% 0805≥1μF;1210≥10μF</td> </tr> <tr> <td>≤14% 0402≥0.10μF;0603≥0.33μF;0805≥2.2μF; 1206≥4.7μF;TT series & Cap≥1μF</td> </tr> <tr> <td>≤15% 0603≥0.68μF;0805≥4.7μF;1206≥6.8μF;</td> </tr> <tr> <td rowspan="2">16V</td> <td rowspan="2">≤5%</td> <td>≤10% 0402≥0.033μF;0603≥0.15μF; 0805≥0.68μF;1206≥2.2μF; 1210≥4.7μF</td> </tr> <tr> <td>≤15% TT series & Cap≥1μF;0603≥0.68μF;0805≥2.2μF; 1206≥6.8μF;1210≥22μF</td> </tr> <tr> <td>10V</td> <td>≤7.5%</td> <td>≤15% TT series & Cap≥1μF;0603≥0.33μF;0805≥2.2μF; 1206≥2.2μF;1210≥22μF</td> </tr> <tr> <td>6.3V</td> <td>≤15%</td> <td>≤30% 0402≥2.2μF;0603≥10μF; 0805≥10μF; 1210≥100μF;TT series & Cap≥1μF</td> </tr> </tbody> </table> <ul style="list-style-type: none"> Y5V: <table border="1"> <thead> <tr> <th>Rated vol.</th> <th>D.F.≤</th> <th>Exception D.F.≤</th> </tr> </thead> <tbody> <tr> <td>≥50V</td> <td>≤7.5%</td> <td>≤10% 0603≥0.1μF;0805≥0.47μF</td> </tr> <tr> <td>35V</td> <td>≤10%</td> <td>---</td> </tr> <tr> <td rowspan="2">25V</td> <td rowspan="2">≤7.5%</td> <td>≤10% 0402≥0.047μF;0603≥0.1μF;0805≥0.33μF; 1206≥1μF;1210≥4.7μF</td> </tr> <tr> <td>≤15% 0402≥0.068μF;0603≥0.47μF;1206≥4.7μF</td> </tr> <tr> <td>16V(C<1.0μF)</td> <td>≤10%</td> <td>≤12.5% 0402≥0.068μF;0603≥0.68μF</td> </tr> <tr> <td>16V(C≥1.0μF)</td> <td>≤12.5%</td> <td>≤20% 0805≥4.7μF;1206≥10μF;1210≥22μF; 1812≥47μF;TT series & Cap≥1μF</td> </tr> <tr> <td>10V</td> <td>≤20%</td> <td>---</td> </tr> <tr> <td>6.3V</td> <td>≤30%</td> <td>---</td> </tr> </tbody> </table> <ul style="list-style-type: none"> * I.R.: ≥10V 1GΩ or 50Ω-F whichever is smaller. 6.3V 1GΩ-F 	Rated vol.	D.F.≤	Exception D.F.≤	≥50V	≤3%	≤6% 0201(50V);0603≥0.047μF;0805≥0.18μF; 1206≥0.47μF	35V	≤5%		25V	≤5%	≤10% 0805≥1μF;1210≥10μF	≤14% 0402≥0.10μF;0603≥0.33μF;0805≥2.2μF; 1206≥4.7μF;TT series & Cap≥1μF	≤15% 0603≥0.68μF;0805≥4.7μF;1206≥6.8μF;	16V	≤5%	≤10% 0402≥0.033μF;0603≥0.15μF; 0805≥0.68μF;1206≥2.2μF; 1210≥4.7μF	≤15% TT series & Cap≥1μF;0603≥0.68μF;0805≥2.2μF; 1206≥6.8μF;1210≥22μF	10V	≤7.5%	≤15% TT series & Cap≥1μF;0603≥0.33μF;0805≥2.2μF; 1206≥2.2μF;1210≥22μF	6.3V	≤15%	≤30% 0402≥2.2μF;0603≥10μF; 0805≥10μF; 1210≥100μF;TT series & Cap≥1μF	Rated vol.	D.F.≤	Exception D.F.≤	≥50V	≤7.5%	≤10% 0603≥0.1μF;0805≥0.47μF	35V	≤10%	---	25V	≤7.5%	≤10% 0402≥0.047μF;0603≥0.1μF;0805≥0.33μF; 1206≥1μF;1210≥4.7μF	≤15% 0402≥0.068μF;0603≥0.47μF;1206≥4.7μF	16V(C<1.0μF)	≤10%	≤12.5% 0402≥0.068μF;0603≥0.68μF	16V(C≥1.0μF)	≤12.5%	≤20% 0805≥4.7μF;1206≥10μF;1210≥22μF; 1812≥47μF;TT series & Cap≥1μF	10V	≤20%	---	6.3V	≤30%	---
Rated vol.	D.F.≤	Exception D.F.≤																																																		
≥50V	≤3%	≤6% 0201(50V);0603≥0.047μF;0805≥0.18μF; 1206≥0.47μF																																																		
35V	≤5%																																																			
25V	≤5%	≤10% 0805≥1μF;1210≥10μF																																																		
		≤14% 0402≥0.10μF;0603≥0.33μF;0805≥2.2μF; 1206≥4.7μF;TT series & Cap≥1μF																																																		
		≤15% 0603≥0.68μF;0805≥4.7μF;1206≥6.8μF;																																																		
16V	≤5%	≤10% 0402≥0.033μF;0603≥0.15μF; 0805≥0.68μF;1206≥2.2μF; 1210≥4.7μF																																																		
		≤15% TT series & Cap≥1μF;0603≥0.68μF;0805≥2.2μF; 1206≥6.8μF;1210≥22μF																																																		
10V	≤7.5%	≤15% TT series & Cap≥1μF;0603≥0.33μF;0805≥2.2μF; 1206≥2.2μF;1210≥22μF																																																		
6.3V	≤15%	≤30% 0402≥2.2μF;0603≥10μF; 0805≥10μF; 1210≥100μF;TT series & Cap≥1μF																																																		
Rated vol.	D.F.≤	Exception D.F.≤																																																		
≥50V	≤7.5%	≤10% 0603≥0.1μF;0805≥0.47μF																																																		
35V	≤10%	---																																																		
25V	≤7.5%	≤10% 0402≥0.047μF;0603≥0.1μF;0805≥0.33μF; 1206≥1μF;1210≥4.7μF																																																		
		≤15% 0402≥0.068μF;0603≥0.47μF;1206≥4.7μF																																																		
16V(C<1.0μF)	≤10%	≤12.5% 0402≥0.068μF;0603≥0.68μF																																																		
16V(C≥1.0μF)	≤12.5%	≤20% 0805≥4.7μF;1206≥10μF;1210≥22μF; 1812≥47μF;TT series & Cap≥1μF																																																		
10V	≤20%	---																																																		
6.3V	≤30%	---																																																		

NO.	Item	Test Condition	Requirements																																														
14.	Humidity Load (Damp Heat)	* Test temp.: 40±2°C * Humidity: 90-95%RH * Test time: 500+24/-0 hrs. * To apply voltage: rated voltage (Max. 500V) * Measurement to be made after keeping at room temp. for 24±2 hrs. (Class I) or 48±4 hrs. (Class II).	* No remarkable damage. * Cap change: NP0: within ±7.5% or ±0.75pF whichever is larger. X7R/X5R: ≥10V, within ±12.5%, 6.3V, within ±25% TT series & Cap≥1μF, within ±25% Y5V: ≥10V, within ±30%, 6.3V, within +30 / -40% * Q/D.F. value: NP0: C≥30pF, Q≥200; C<30pF, Q≥100+10/3C X7R / X5R:																																														
			<table border="1"> <thead> <tr> <th>Rated vol.</th> <th>D.F.≤</th> <th>Exception D.F.≤</th> </tr> </thead> <tbody> <tr> <td>≥50V</td> <td>≤3%</td> <td>≤6% 0201(50V), 0603≥0.047μF;0805≥0.18μF; 1206≥0.47μF</td> </tr> <tr> <td>35V</td> <td>≤5%</td> <td></td> </tr> <tr> <td rowspan="3">25V</td> <td rowspan="3">≤5%</td> <td>≤10% 0805≥1μF, 1210≥10μF</td> </tr> <tr> <td>≤14% 0402≥0.10μF;0603≥0.33μF;0805≥2.2μF;1206≥4.7μF; TT series & Cap≥1μF</td> </tr> <tr> <td>≤15% 0603≥0.68μF;0805≥4.7μF;1206≥6.8μF</td> </tr> <tr> <td rowspan="2">16V</td> <td rowspan="2">≤5%</td> <td>≤10% 0402≥0.033μF;0603≥0.15μF;0805≥0.68μF; 1206≥2.2μF;1210≥4.7μF</td> </tr> <tr> <td>≤15% TT series & Cap≥1μF;0603≥0.68μF;0805≥2.2μF; 1206≥6.8μF;1210≥22μF</td> </tr> <tr> <td>10V</td> <td>≤7.5%</td> <td>≤15% TT series & Cap≥1μF;0603≥0.33μF;0805≥2.2μF; 1206≥2.2μF;1210≥22μF;</td> </tr> <tr> <td>6.3V</td> <td>≤15%</td> <td>≤30% 0603≥10μF;0805≥10μF;1210≥100μF; 0402≥2.2μF;TT series & Cap≥1μF</td> </tr> </tbody> </table> <p>X7R</p> <table border="1"> <thead> <tr> <th>Rated vol.</th> <th>D.F.≤</th> <th>Exception D.F.≤</th> </tr> </thead> <tbody> <tr> <td>≥50V</td> <td>≤7.5%</td> <td>≤10% 0603≥0.1μF;0805≥0.47μF;</td> </tr> <tr> <td>35V</td> <td>≤10%</td> <td>---</td> </tr> <tr> <td rowspan="2">25V</td> <td rowspan="2">≤7.5%</td> <td>≤10% 0402≥0.047μF;0603≥0.1μF;0805≥0.33μF; 1206≥1μF;1210≥4.7μF</td> </tr> <tr> <td>≤15% 0402≥0.068μF;0603≥0.47μF;1206≥4.7μF</td> </tr> <tr> <td>16V(C<1.0μF)</td> <td>≤10%</td> <td>≤12.5% 0402≥0.068μF;0603≥0.68μF</td> </tr> <tr> <td>16V(C≥1.0μF)</td> <td>≤12.5%</td> <td>≤20% 0805≥3.3μF;1206≥10μF;1210≥22μF; 1812≥47μF;TT series & Cap≥1μF</td> </tr> <tr> <td>10V</td> <td>≤20%</td> <td>---</td> </tr> <tr> <td>6.3V</td> <td>≤30%</td> <td>---</td> </tr> </tbody> </table> <p>* I.R.: ≥10V, 500MΩ-F or 25Ω-F whichever is smaller. 6.3V, 5Ω-F</p>	Rated vol.	D.F.≤	Exception D.F.≤	≥50V	≤3%	≤6% 0201(50V), 0603≥0.047μF;0805≥0.18μF; 1206≥0.47μF	35V	≤5%		25V	≤5%	≤10% 0805≥1μF, 1210≥10μF	≤14% 0402≥0.10μF;0603≥0.33μF;0805≥2.2μF;1206≥4.7μF; TT series & Cap≥1μF	≤15% 0603≥0.68μF;0805≥4.7μF;1206≥6.8μF	16V	≤5%	≤10% 0402≥0.033μF;0603≥0.15μF;0805≥0.68μF; 1206≥2.2μF;1210≥4.7μF	≤15% TT series & Cap≥1μF;0603≥0.68μF;0805≥2.2μF; 1206≥6.8μF;1210≥22μF	10V	≤7.5%	≤15% TT series & Cap≥1μF;0603≥0.33μF;0805≥2.2μF; 1206≥2.2μF;1210≥22μF;	6.3V	≤15%	≤30% 0603≥10μF;0805≥10μF;1210≥100μF; 0402≥2.2μF;TT series & Cap≥1μF	Rated vol.	D.F.≤	Exception D.F.≤	≥50V	≤7.5%	≤10% 0603≥0.1μF;0805≥0.47μF;	35V	≤10%	---	25V	≤7.5%	≤10% 0402≥0.047μF;0603≥0.1μF;0805≥0.33μF; 1206≥1μF;1210≥4.7μF	≤15% 0402≥0.068μF;0603≥0.47μF;1206≥4.7μF	16V(C<1.0μF)	≤10%	≤12.5% 0402≥0.068μF;0603≥0.68μF	16V(C≥1.0μF)	≤12.5%	≤20% 0805≥3.3μF;1206≥10μF;1210≥22μF; 1812≥47μF;TT series & Cap≥1μF	10V	≤20%	---
Rated vol.	D.F.≤	Exception D.F.≤																																															
≥50V	≤3%	≤6% 0201(50V), 0603≥0.047μF;0805≥0.18μF; 1206≥0.47μF																																															
35V	≤5%																																																
25V	≤5%	≤10% 0805≥1μF, 1210≥10μF																																															
		≤14% 0402≥0.10μF;0603≥0.33μF;0805≥2.2μF;1206≥4.7μF; TT series & Cap≥1μF																																															
		≤15% 0603≥0.68μF;0805≥4.7μF;1206≥6.8μF																																															
16V	≤5%	≤10% 0402≥0.033μF;0603≥0.15μF;0805≥0.68μF; 1206≥2.2μF;1210≥4.7μF																																															
		≤15% TT series & Cap≥1μF;0603≥0.68μF;0805≥2.2μF; 1206≥6.8μF;1210≥22μF																																															
10V	≤7.5%	≤15% TT series & Cap≥1μF;0603≥0.33μF;0805≥2.2μF; 1206≥2.2μF;1210≥22μF;																																															
6.3V	≤15%	≤30% 0603≥10μF;0805≥10μF;1210≥100μF; 0402≥2.2μF;TT series & Cap≥1μF																																															
Rated vol.	D.F.≤	Exception D.F.≤																																															
≥50V	≤7.5%	≤10% 0603≥0.1μF;0805≥0.47μF;																																															
35V	≤10%	---																																															
25V	≤7.5%	≤10% 0402≥0.047μF;0603≥0.1μF;0805≥0.33μF; 1206≥1μF;1210≥4.7μF																																															
		≤15% 0402≥0.068μF;0603≥0.47μF;1206≥4.7μF																																															
16V(C<1.0μF)	≤10%	≤12.5% 0402≥0.068μF;0603≥0.68μF																																															
16V(C≥1.0μF)	≤12.5%	≤20% 0805≥3.3μF;1206≥10μF;1210≥22μF; 1812≥47μF;TT series & Cap≥1μF																																															
10V	≤20%	---																																															
6.3V	≤30%	---																																															
15.	High Temperature Load (Endurance)	* Test temp.: NP0, X7R: 125±3°C X5R, Y5V: 85±3°C * To apply voltage: (1) 6.3V or C≥10μF (for X7R, X5R): 150% of rated voltage. (2) 6.3V<V<500V and C<10μF (for X7R, X5R): 200% of rated voltage. (3) 500V: 150% of rated voltage. (4) V≥630V: 120% of rated voltage. * Test time: 1000+24/-0 hrs. * Measurement to be made after keeping at room temp. for 24±2 hrs. (Class I) or 48±4 hrs. (Class II).	* No remarkable damage. * Cap change: NP0: within ±3.0% or ±0.3pF whichever is larger. X7R/X5R: ≥10V, within ±12.5%, 6.3V, within ±25% TT series & Cap≥1μF, within ±25% Y5V: ≥10V, within ±30% 6.3V, within +30 to -40% * Q/D.F. value: NP0: Cap≥30pF, Q≥350 10pF≤Cap<30pF, Q≥275+2.5C Cap<10pF, Q≥200+10C X7R / X5R:																																														
			<table border="1"> <thead> <tr> <th>Rated vol.</th> <th>D.F.≤</th> <th>Exception D.F.≤</th> </tr> </thead> <tbody> <tr> <td>≥50V</td> <td>≤3%</td> <td>≤6% 0201(50V); 0603≥0.047μF;0805≥0.18μF; 1206≥0.47μF</td> </tr> <tr> <td>35V</td> <td>≤5%</td> <td>---</td> </tr> <tr> <td rowspan="3">25V</td> <td rowspan="3">≤5%</td> <td>≤10% 0805≥1μF, 1206≥1μF, 1210≥10μF</td> </tr> <tr> <td>≤14% 0402≥0.10μF;0603≥0.33μF; 0805≥2.2μF; 1206≥4.7μF;TT series & Cap≥1μF</td> </tr> <tr> <td>≤15% 0603≥0.68μF; 0805≥4.7μF;1206≥6.8μF;</td> </tr> <tr> <td rowspan="2">16V</td> <td rowspan="2">≤5%</td> <td>≤10% 0402≥0.033μF;0603≥0.15μF;0805≥0.68μF; 1206≥2.2μF; 1210≥4.7μF;TT series & Cap≥1μF</td> </tr> <tr> <td>≤15% TT series & Cap≥1μF;0603≥0.68μF;0805≥2.2μF; 1206≥6.8μF;1210≥22μF</td> </tr> <tr> <td>10V</td> <td>≤7.5%</td> <td>≤15% TT series & Cap≥1μF;0603≥0.33μF;0805≥2.2μF; 1206≥2.2μF;1210≥22μF;</td> </tr> <tr> <td>6.3V</td> <td>≤15%</td> <td>≤30% 0402≥2.2μF; 0603≥10μF;0805≥10μF;1210≥100μF; TT series & Cap≥1μF</td> </tr> </tbody> </table> <p>Y5V:</p> <table border="1"> <thead> <tr> <th>Rated vol.</th> <th>D.F.≤</th> <th>Exception D.F.≤</th> </tr> </thead> <tbody> <tr> <td rowspan="2">25V</td> <td rowspan="2">≤7.5%</td> <td>≤10% 0402≥0.047μF;0603≥0.1μF;0805≥0.33μF; 1206≥1μF;1210≥4.7μF</td> </tr> <tr> <td>≤15% 0402≥0.068μF;0603≥0.47μF;1206≥4.7μF</td> </tr> <tr> <td>16V(C<1μF)</td> <td>≤10%</td> <td>≤12.5% 0402≥0.068μF;0603≥0.68μF</td> </tr> <tr> <td>16V(C≥1μF)</td> <td>≤12.5%</td> <td>≤20% 0805≥3.3μF;1206≥10μF;1210≥22μF; 1812≥47μF;TT series & Cap≥1μF</td> </tr> <tr> <td>10V</td> <td>≤20%</td> <td>---</td> </tr> <tr> <td>6.3V</td> <td>≤30%</td> <td>---</td> </tr> </tbody> </table> <p>* I.R.: ≥10V 1GΩ or 50Ω-F whichever is smaller. 6.3V, 10Ω-F</p>	Rated vol.	D.F.≤	Exception D.F.≤	≥50V	≤3%	≤6% 0201(50V); 0603≥0.047μF;0805≥0.18μF; 1206≥0.47μF	35V	≤5%	---	25V	≤5%	≤10% 0805≥1μF, 1206≥1μF, 1210≥10μF	≤14% 0402≥0.10μF;0603≥0.33μF; 0805≥2.2μF; 1206≥4.7μF;TT series & Cap≥1μF	≤15% 0603≥0.68μF; 0805≥4.7μF;1206≥6.8μF;	16V	≤5%	≤10% 0402≥0.033μF;0603≥0.15μF;0805≥0.68μF; 1206≥2.2μF; 1210≥4.7μF;TT series & Cap≥1μF	≤15% TT series & Cap≥1μF;0603≥0.68μF;0805≥2.2μF; 1206≥6.8μF;1210≥22μF	10V	≤7.5%	≤15% TT series & Cap≥1μF;0603≥0.33μF;0805≥2.2μF; 1206≥2.2μF;1210≥22μF;	6.3V	≤15%	≤30% 0402≥2.2μF; 0603≥10μF;0805≥10μF;1210≥100μF; TT series & Cap≥1μF	Rated vol.	D.F.≤	Exception D.F.≤	25V	≤7.5%	≤10% 0402≥0.047μF;0603≥0.1μF;0805≥0.33μF; 1206≥1μF;1210≥4.7μF	≤15% 0402≥0.068μF;0603≥0.47μF;1206≥4.7μF	16V(C<1μF)	≤10%	≤12.5% 0402≥0.068μF;0603≥0.68μF	16V(C≥1μF)	≤12.5%	≤20% 0805≥3.3μF;1206≥10μF;1210≥22μF; 1812≥47μF;TT series & Cap≥1μF	10V	≤20%	---	6.3V	≤30%	---			
Rated vol.	D.F.≤	Exception D.F.≤																																															
≥50V	≤3%	≤6% 0201(50V); 0603≥0.047μF;0805≥0.18μF; 1206≥0.47μF																																															
35V	≤5%	---																																															
25V	≤5%	≤10% 0805≥1μF, 1206≥1μF, 1210≥10μF																																															
		≤14% 0402≥0.10μF;0603≥0.33μF; 0805≥2.2μF; 1206≥4.7μF;TT series & Cap≥1μF																																															
		≤15% 0603≥0.68μF; 0805≥4.7μF;1206≥6.8μF;																																															
16V	≤5%	≤10% 0402≥0.033μF;0603≥0.15μF;0805≥0.68μF; 1206≥2.2μF; 1210≥4.7μF;TT series & Cap≥1μF																																															
		≤15% TT series & Cap≥1μF;0603≥0.68μF;0805≥2.2μF; 1206≥6.8μF;1210≥22μF																																															
10V	≤7.5%	≤15% TT series & Cap≥1μF;0603≥0.33μF;0805≥2.2μF; 1206≥2.2μF;1210≥22μF;																																															
6.3V	≤15%	≤30% 0402≥2.2μF; 0603≥10μF;0805≥10μF;1210≥100μF; TT series & Cap≥1μF																																															
Rated vol.	D.F.≤	Exception D.F.≤																																															
25V	≤7.5%	≤10% 0402≥0.047μF;0603≥0.1μF;0805≥0.33μF; 1206≥1μF;1210≥4.7μF																																															
		≤15% 0402≥0.068μF;0603≥0.47μF;1206≥4.7μF																																															
16V(C<1μF)	≤10%	≤12.5% 0402≥0.068μF;0603≥0.68μF																																															
16V(C≥1μF)	≤12.5%	≤20% 0805≥3.3μF;1206≥10μF;1210≥22μF; 1812≥47μF;TT series & Cap≥1μF																																															
10V	≤20%	---																																															
6.3V	≤30%	---																																															

◆ Constructions

NO.	Name	NPO/X7R	X7R/X5R/Y5V
①	Ceramic material	BaTiO ₃ based	
②	Inner electrode	AgPd alloy	Ni
③	Termination	Inner layer	Ag
④		Middle layer	Ni
⑤		Outer layer	Sn (Matt)

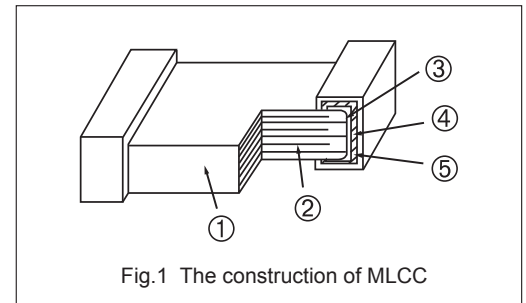


Fig.1 The construction of MLCC

◆ Storage and handling conditions

- (1) To store products at 5 to 40°C ambient temperature and 20 to 70% related humidity conditions.
- (2) The product is recommended to be used within one year after shipment. Check solderability in case of shelf life extension is needed.

Cautions:

- Don't store products in a corrosive environment such as sulfide, chloride gas, or acid. It may cause oxidization of electrode, which easily be resulted in poor soldering.
- To store products on the shelf and avoid exposure to moisture.
- Don't expose products to excessive shock, vibration, direct sunlight and so on.

◆ Recommended soldering conditions

The lead-free termination MLCCs are not only to be used on SMT against lead-free solder paste, but also suitable against lead-containing solder paste. If the optimized solder joint is requested, increasing soldering time, temperature and concentration of N₂ within oven are recommended.

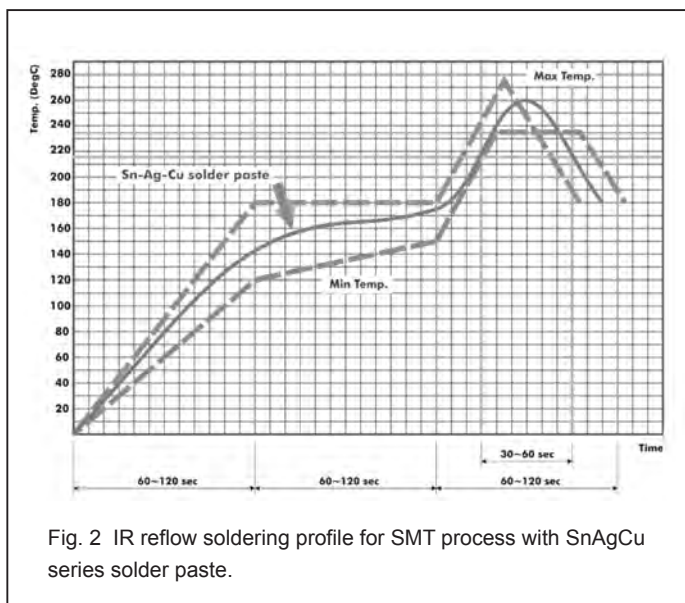


Fig. 2 IR reflow soldering profile for SMT process with SnAgCu series solder paste.

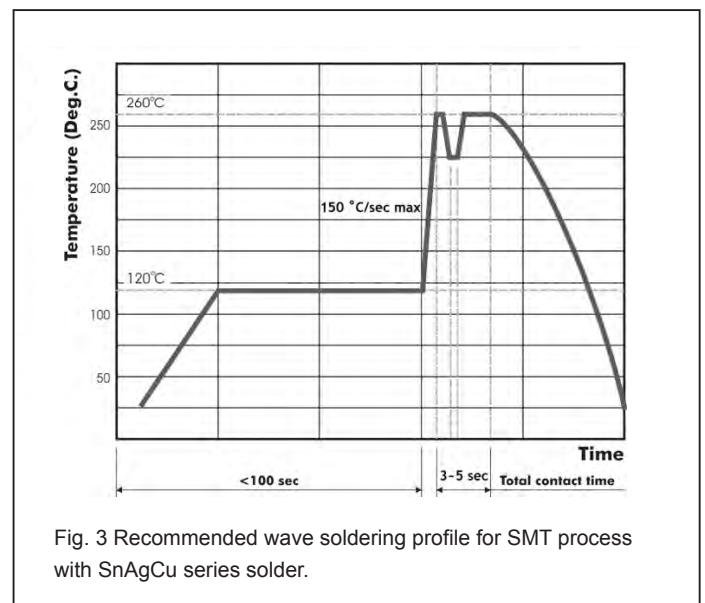


Fig. 3 Recommended wave soldering profile for SMT process with SnAgCu series solder.



Yang-Mei

Walsin Technology Corporation
566-1, Kao-Shi Road, Yang-Mei,
Tao-Yuan, Taiwan
Tel: 886-3-475-8711
Fax: 886-3-475-7129 475-7130
E-mail: info@passivecomponent.com

Kaohsiung

Walsin Technology Corporation
1st, West 13 Street, K.E.P.Z.
Kaohsiung, Taiwan
Tel: 886-7-821-8171
Fax: 886-7-813-1661
E-mail: info@passivecomponent.com