

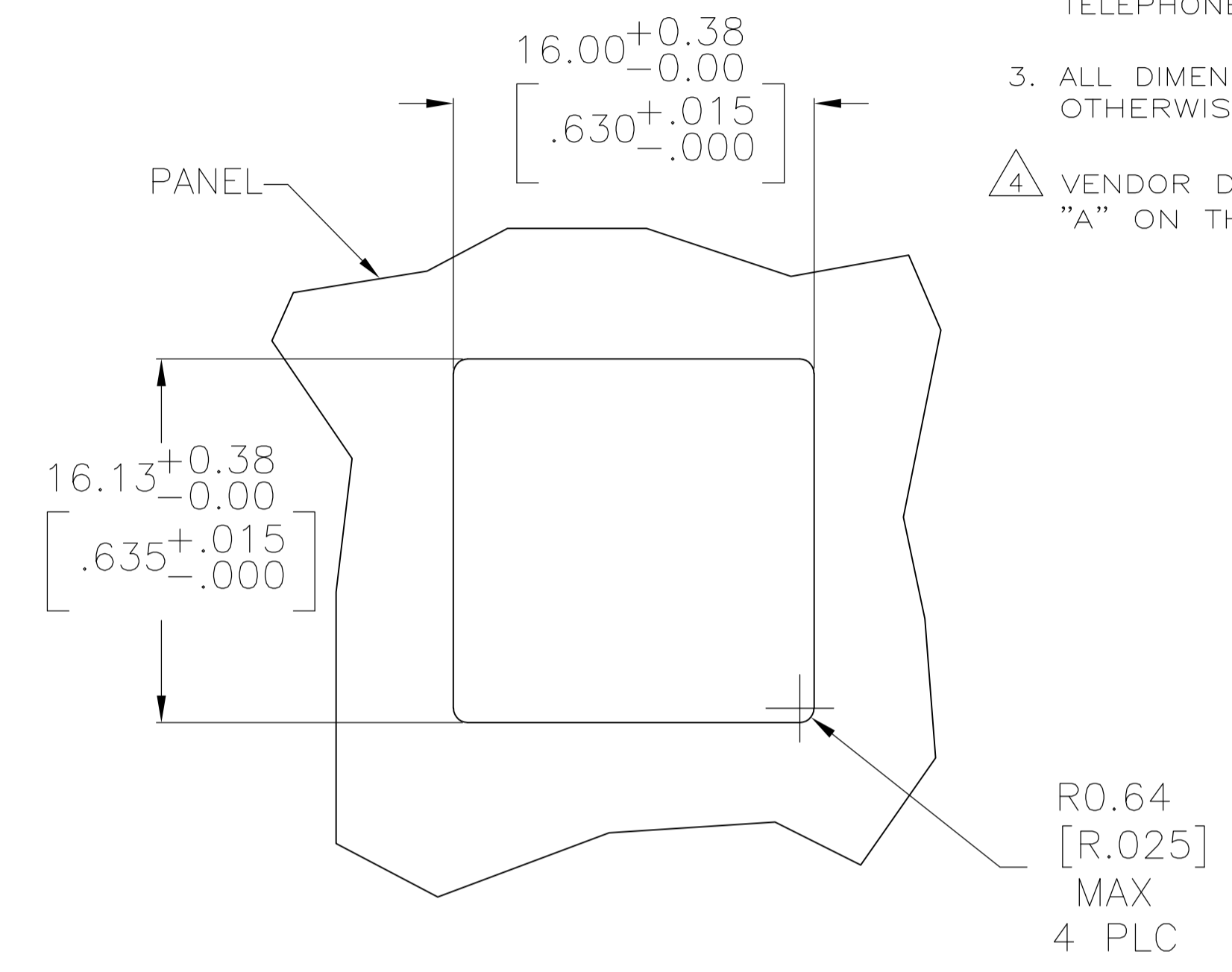
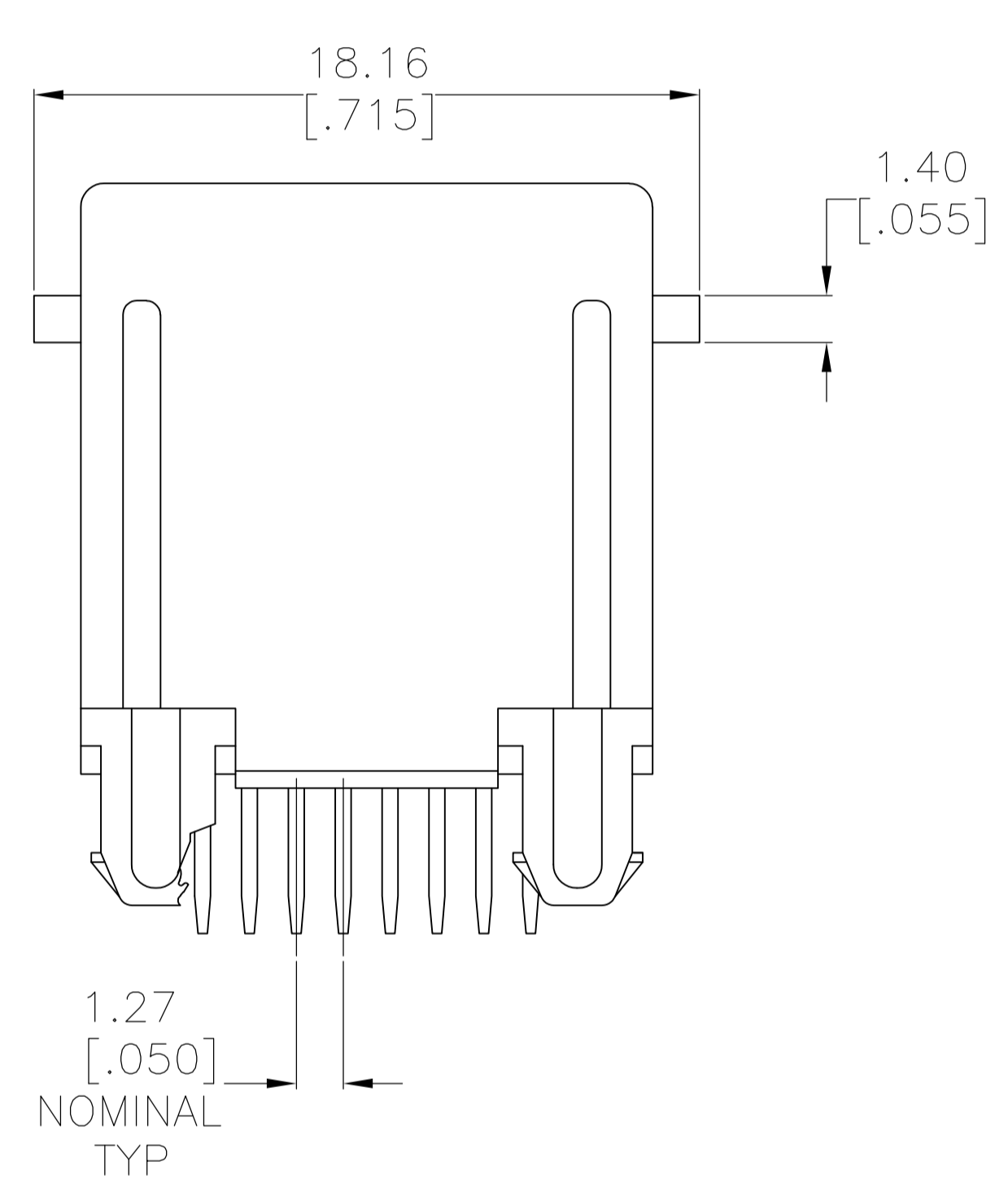
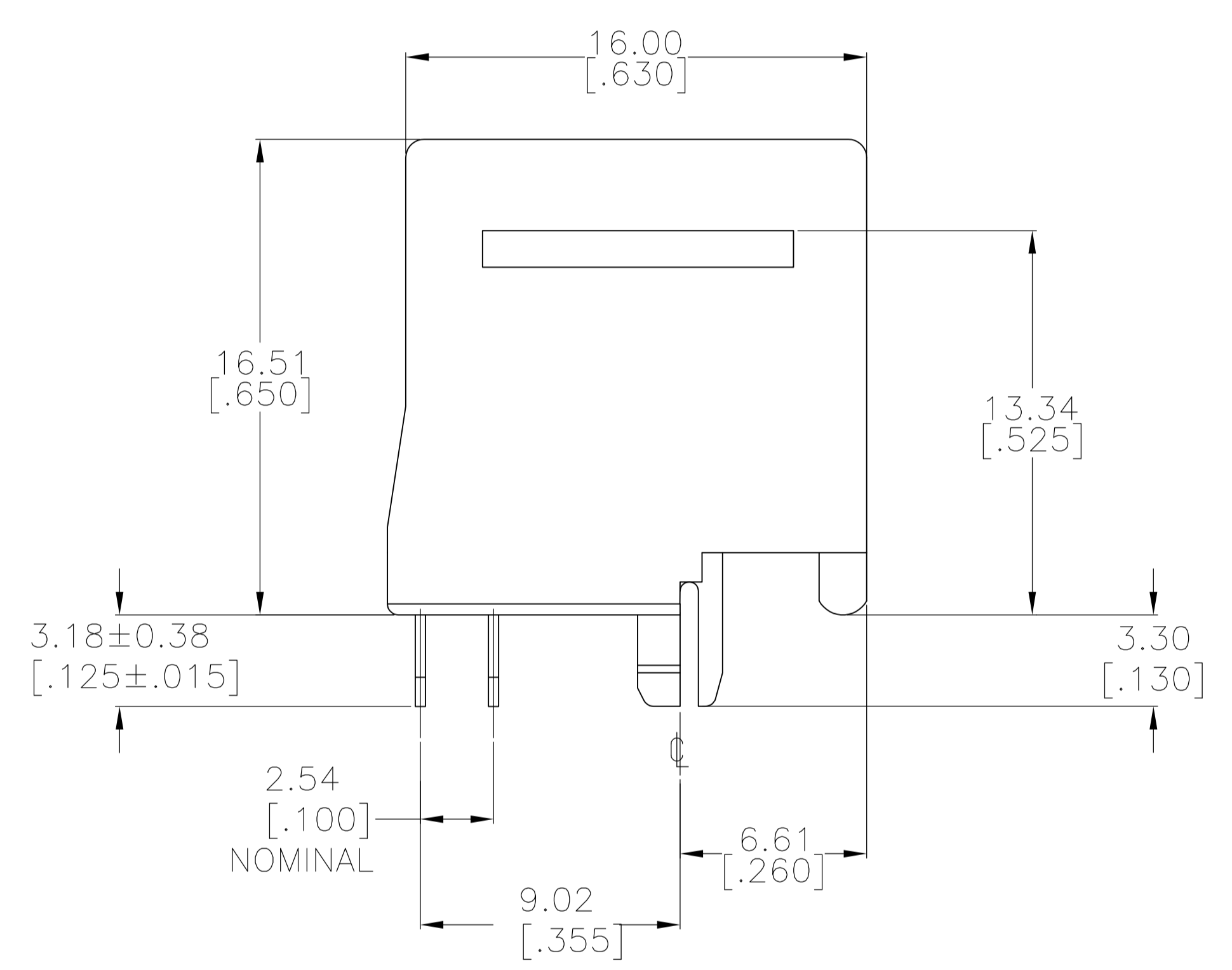
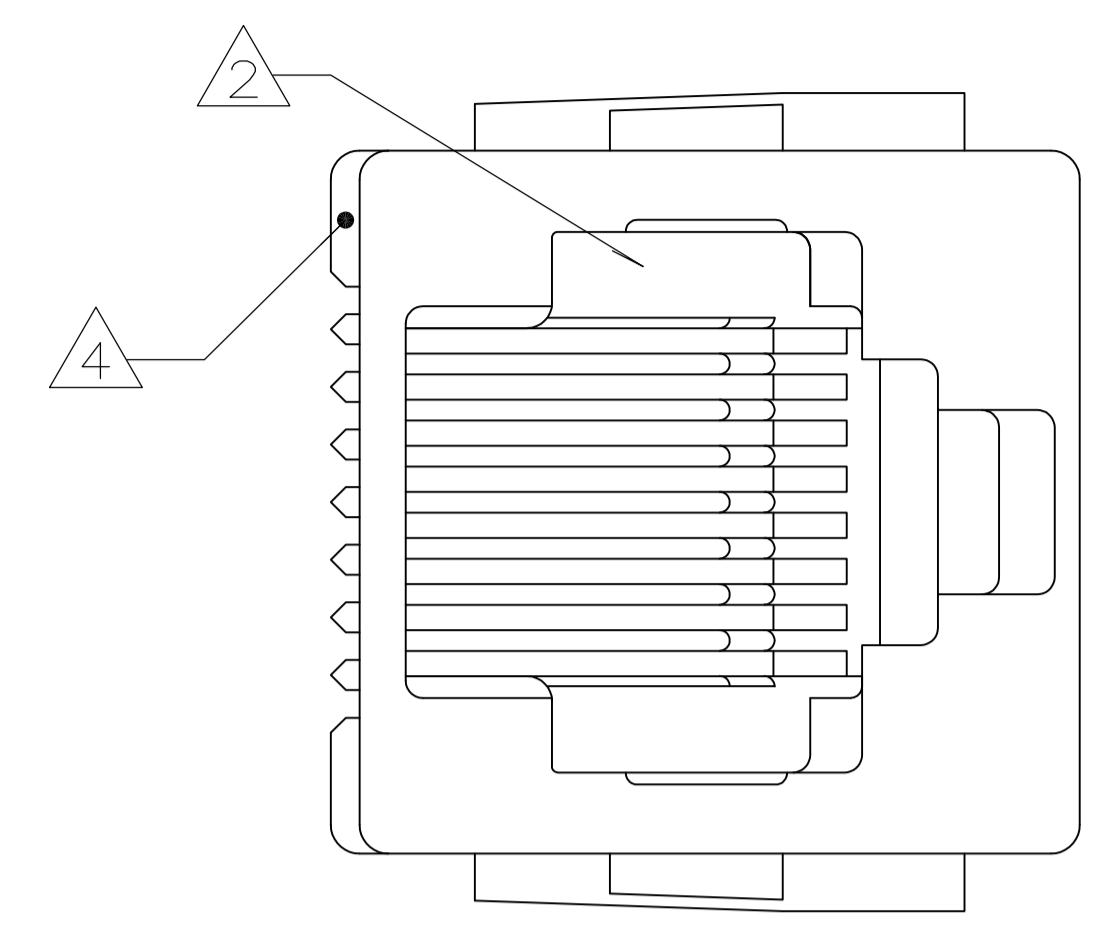
LOC		DIST		REVISIONS			
P	LTR	DESCRIPTION	DATE	DN	APVD		
B		ECO-07-019686	10SEP107	LAM	PR		

1. MATERIAL: HOUSING— PBT POLYESTER, BLACK.
 TERMINAL— 0.35 [.0138] THICK PHOS BRONZE
 PLATED WITH 1.27 μ m [.000050] THICK HARD
 GOLD IN LOCALIZED GOLD PLATE AREA AND 2.03 μ m
 [.000080] THICK MATTE TIN IN SOLDER AREA OVER
 1.27 μ m [.000050] THICK NICKEL UNDERPLATE.

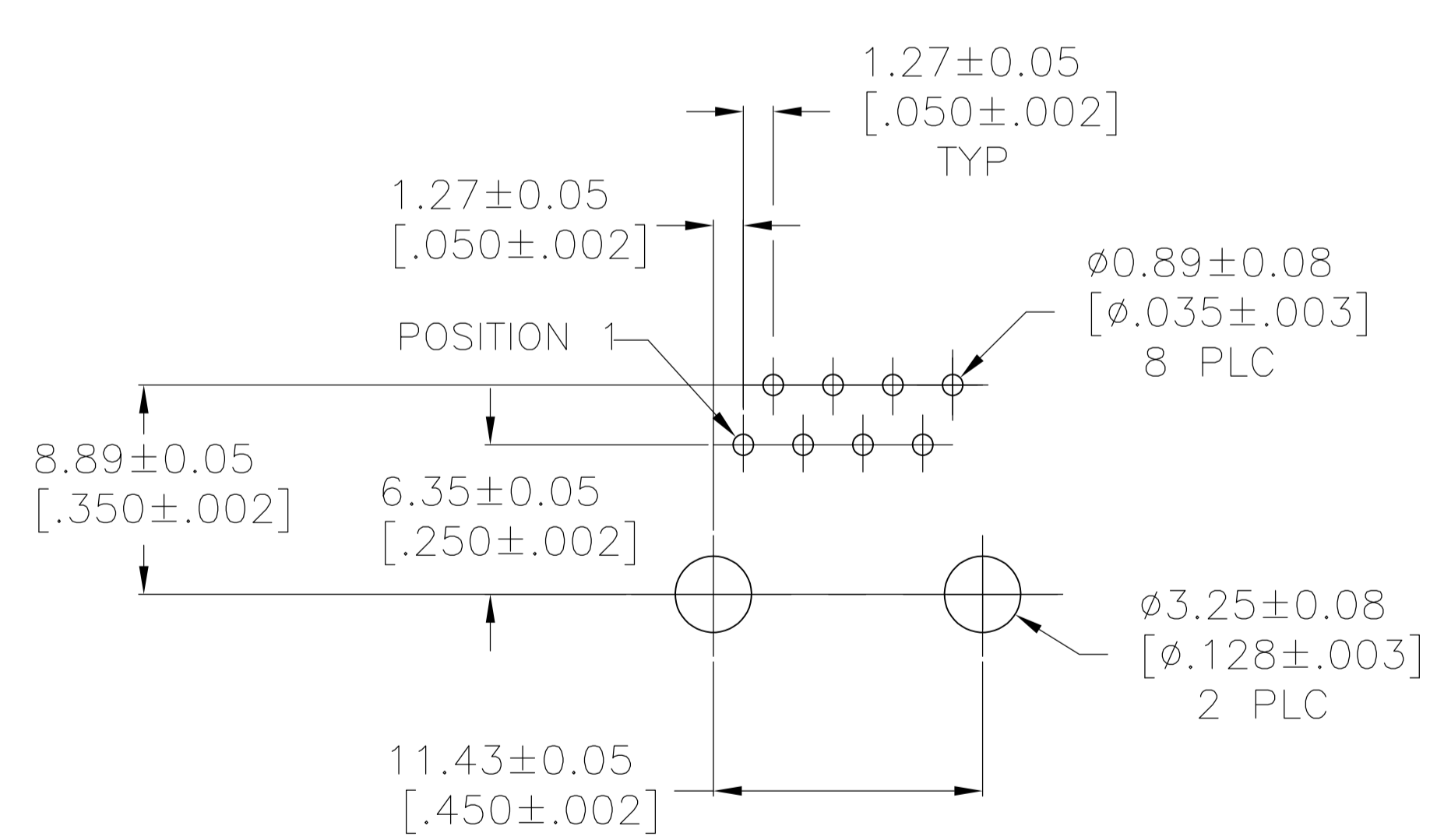
2. CAVITY CONFORMS TO FCC RULES AND
 REGULATIONS PART 68 AND REA BULLETIN
 345-81, PE-76 SPECIFICATION FOR MODULAR
 TELEPHONE HARDWARE.

3. ALL DIMENSIONS SHOWN ARE MAXIMUM UNLESS
 OTHERWISE SPECIFIED.

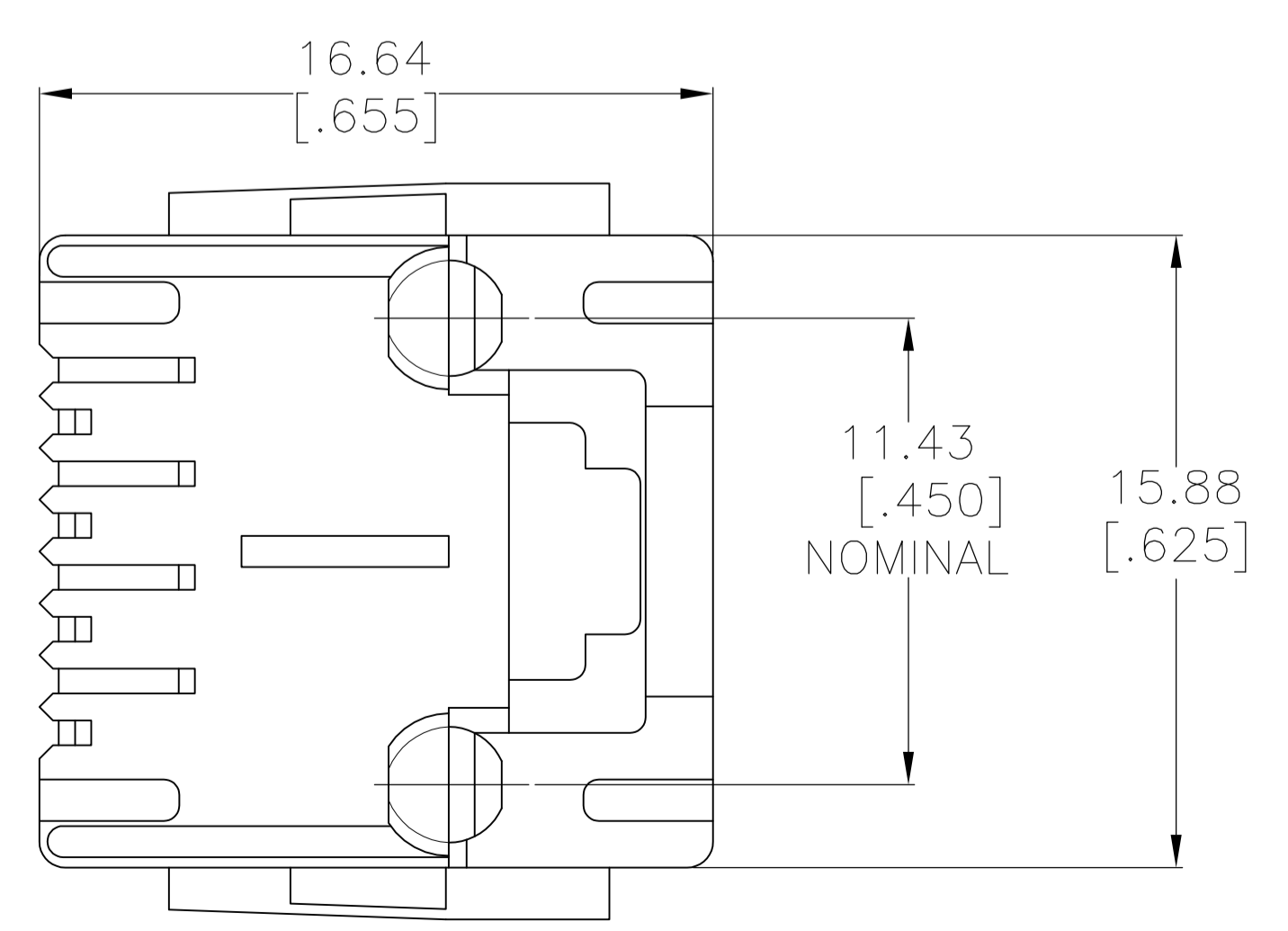
4. VENDOR DESIGNATION SHALL BE THE LETTER
 "A" ON THIS SURFACE.



RECOMMENDED PANEL CUTOUT
 SCALE 4:1



RECOMMENDED PRINTED CIRCUIT BOARD LAYOUT
 COMPONENT SIDE
 SCALE 4:1



5520259-4
 PART NO

THIS DRAWING IS A CONTROLLED DOCUMENT.		DIN R. GRZYBOWSKI 10SEP2007	05MAY05 P. RECCE 10SEP2007	Tyco Electronics Corporation Harrisburg, PA 17105-3608																			
DIMENSIONS: mm [INCHES]	TOLERANCES UNLESS OTHERWISE SPECIFIED:	NAME S. FLICKINGER		PRODUCT SPEC 108-1163																			
<table border="1"> <tr><td>0 PLC</td><td>±</td><td>-</td></tr> <tr><td>1 PLC</td><td>±</td><td>-</td></tr> <tr><td>2 PLC</td><td>±</td><td>-</td></tr> <tr><td>3 PLC</td><td>±</td><td>-</td></tr> <tr><td>4 PLC</td><td>±</td><td>-</td></tr> <tr><td>ANGLES</td><td>±</td><td>-</td></tr> </table>		0 PLC	±	-	1 PLC	±	-	2 PLC	±	-	3 PLC	±	-	4 PLC	±	-	ANGLES	±	-	APPLICATION SPEC 114-2048		SIZE A1	CAGE CODE 5520259
0 PLC	±	-																					
1 PLC	±	-																					
2 PLC	±	-																					
3 PLC	±	-																					
4 PLC	±	-																					
ANGLES	±	-																					
MATERIAL SEE NOTE 1	FINISH SEE NOTE 1	WEIGHT -	CUSTOMER DRAWING		SCALE 6:1 SHEET 1 OF 1 REV B																		