

THIS DRAWING IS UNPUBLISHED.

RELEASED FOR PUBLICATION

© COPYRIGHT BY TYCO ELECTRONICS CORPORATION. ALL RIGHTS RESERVED.

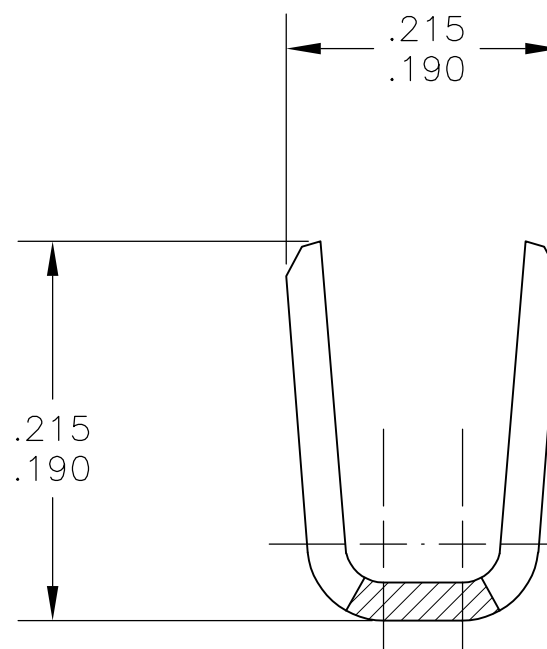
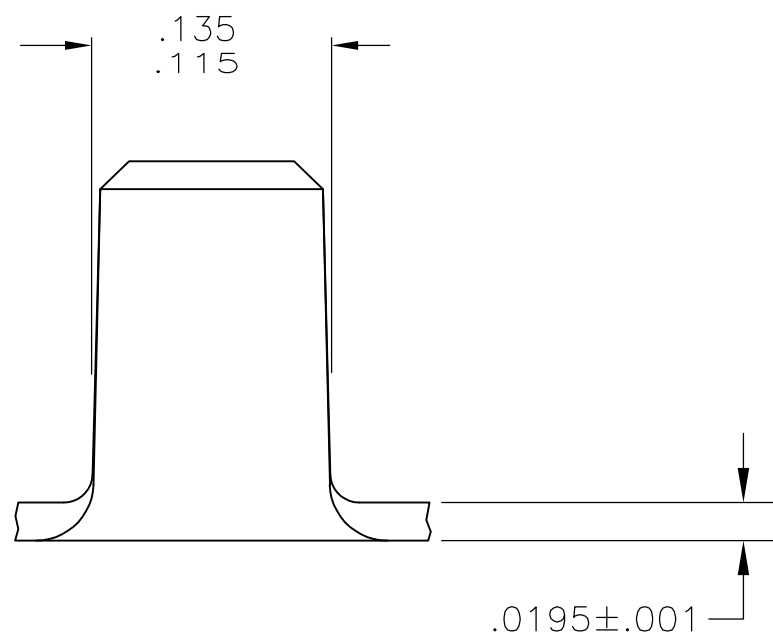
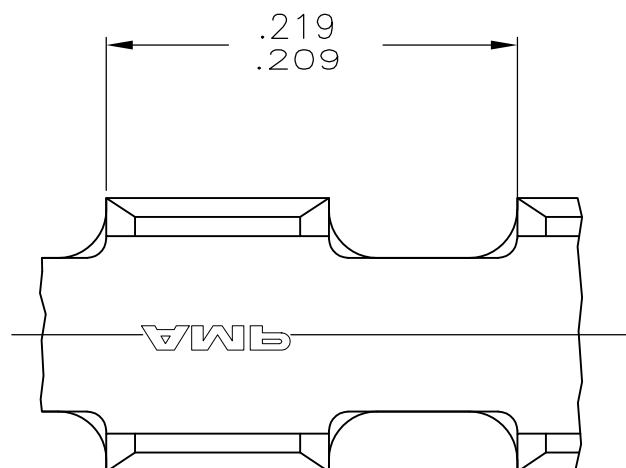
LOC AF DIST 50

REVISIONS

P	LTR	DESCRIPTION	DATE	DWN	APVD
	G	REVISED PER ECR-08-030838	30MAR09	HMR	GP

1 PRODUCT PROVIDED IN CONTINUOUS (BREAK FREE) STRIP FORM ON REELS.

2 WIRE RANGE FOR NEW APPLICATIONS: 6000-8000 CMA (WIRE RANGE APPROVED FOR APPLICATIONS IMPLEMENTED PRIOR TO 2005: 3200-6700 CMA).



WIRE SIZE CMA	FINISH	MATERIAL	PART NO.
2	TIN	BRASS	485020-2
	TIN	STEEL	485020-1

THIS DRAWING IS A CONTROLLED DOCUMENT.		DWN M.S. FEHER 14NOV2005	Tyco Electronics Corporation Harrisburg, PA 17105-3608	
DIMENSIONS: INCHES	TOLERANCES UNLESS OTHERWISE SPECIFIED:	CHK G.D. PORTA 14NOV2005	NAME	
	0 PLC ± -	APVD G.D. PORTA 14NOV2005	SPLICE	
	1 PLC ± -	PRODUCT SPEC	-	
	2 PLC ± -	APPLICATION SPEC	114-2088	
	3 PLC ± .015	WEIGHT	-	
	4 PLC ± -	SIZE	A3	00779
	ANGLES ± 1°	DRAWING NO	G-485020	
MATERIAL SEE TABLE	FINISH SEE TABLE	RESTRICTED TO	-	
CUSTOMER DRAWING		SCALE	10:1	SHEET 1 OF 1
		REV	G	