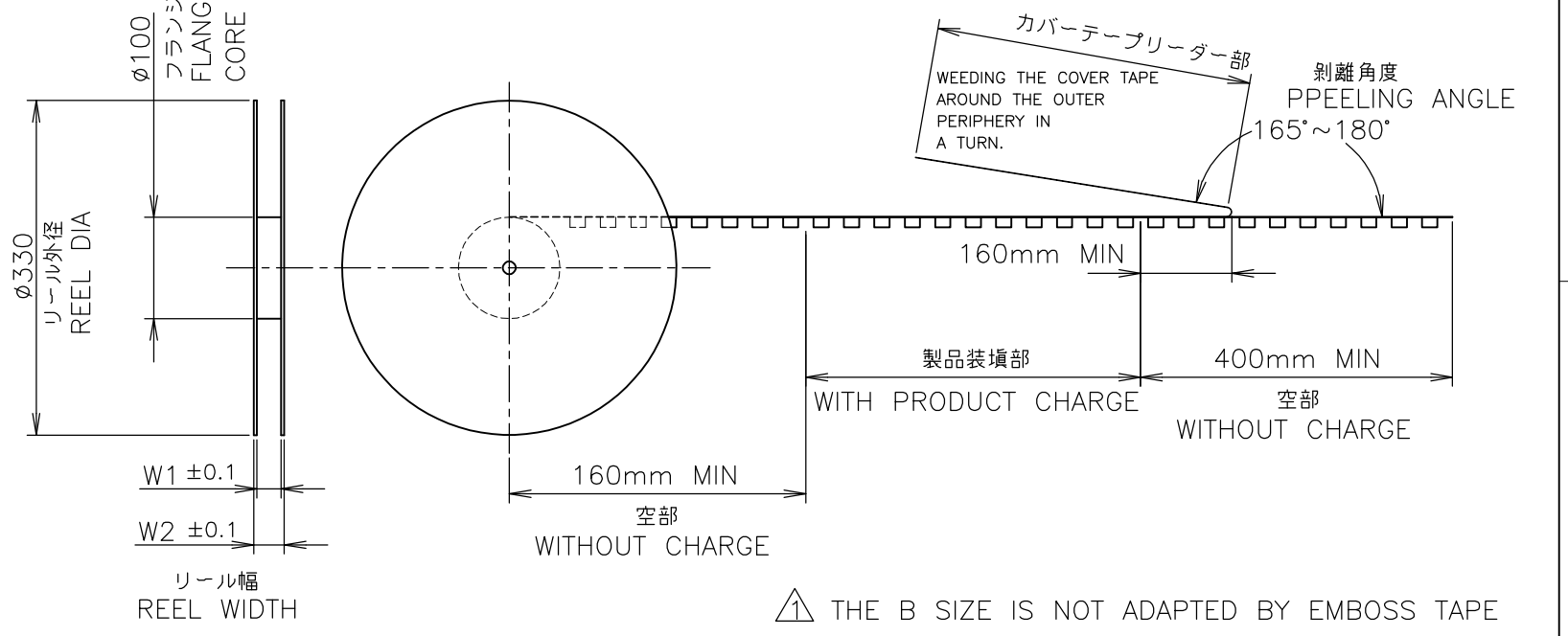
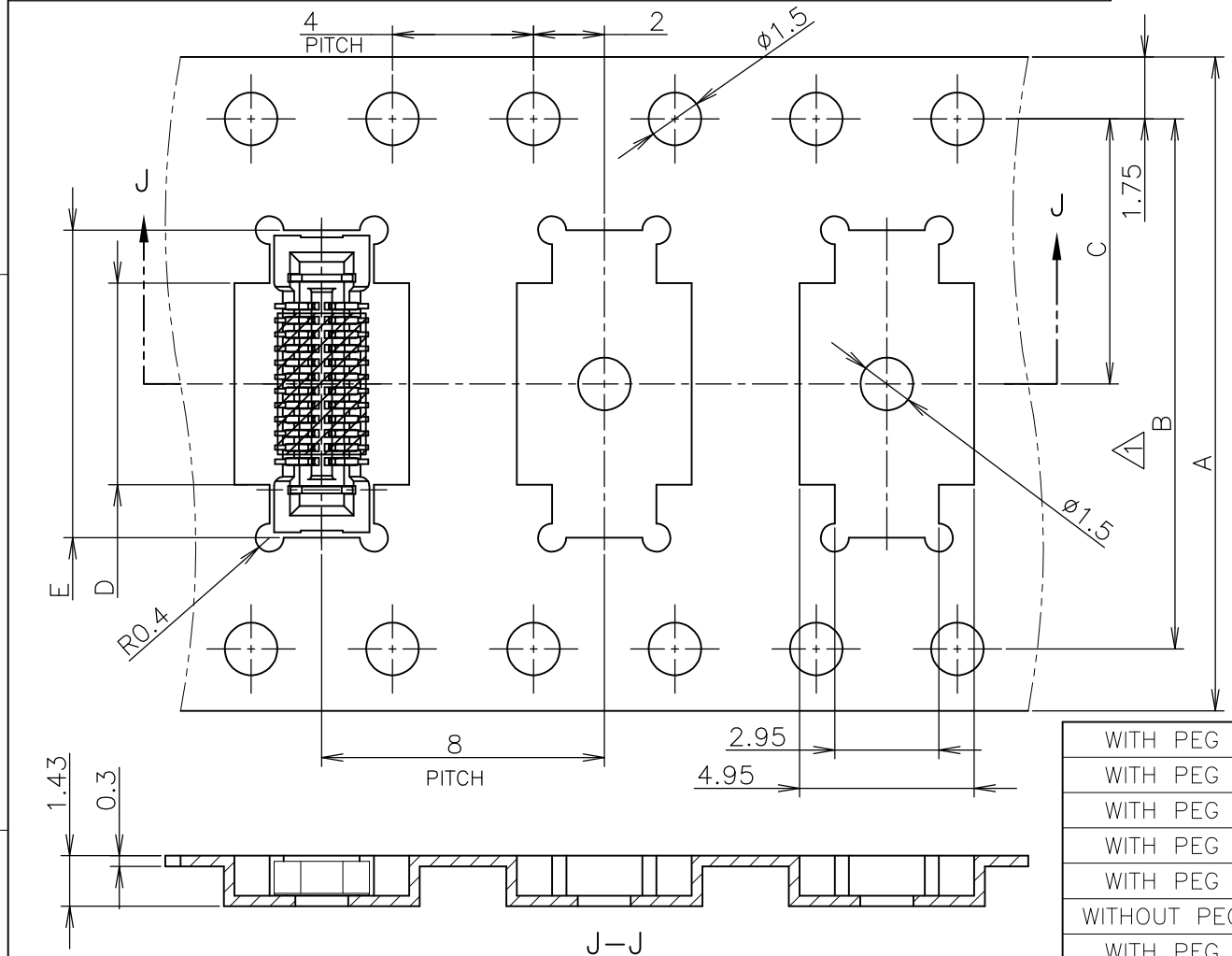


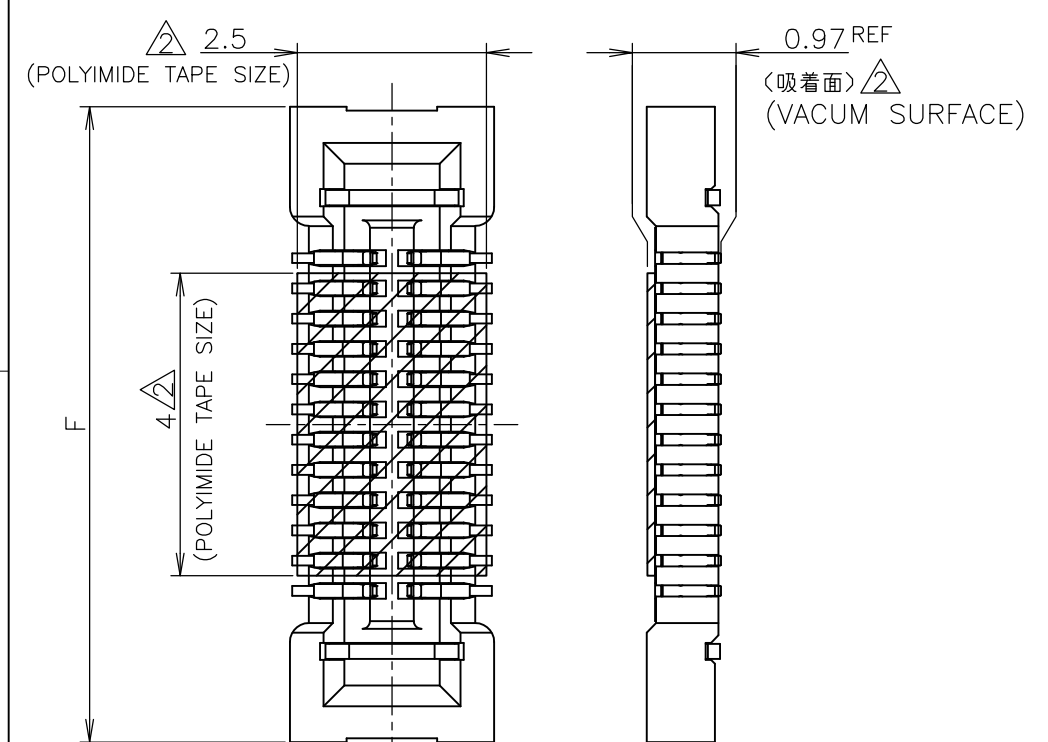
THIS DRAWING IS UNPUBLISHED. RELEASED FOR PUBLICATION AUG, 2004.  
 © COPYRIGHT 2004 BY TYCO ELECTRONICS CORPORATION. ALL INTERNATIONAL RIGHTS RESERVED.

当図面の情報はタイコ エレクトロニクス アンプ 株式会社の所有する情報を開示しており、無断で複製、貴社外部へ配布する事を固く禁じます  
 THIS DRAWING AND INFORMATION ARE OWNED BY TYCO ELECTRONICS AMP K.K AND FORBID  
 COPYING AND DISTRIBUTING WITHOUT NOTICE.

LOC	DIST	REVISIONS			
J	/	変更	DATE	DWN	APVD
		DESCRIPTION			
		P LTR			
		L	REVISED ECR-09-013513	17JUN09	A.K Y.N



△ B 寸法はエンボステープ幅 24mm 以下では適用しないこと  
 △ 18 POS 以下の極数ではポリイミドテープの貼り付けは行わない  
 △ THE B SIZE IS NOT ADAPTED BY EMBOSS TAPE WIDTH OF 24mm OR LESS.  
 △ POLYIMIDE TAPE IS NOT ADAPTED POSITION 18 POS OR LESS



CONNECTOR SCALE 10:1

WITH PEG	AVAILABLE	38.4	33.5	0.0606	15.6	17.2	19.6	19.9	16.9	14.2	28.4	32	8-1747769-0	80	
WITH PEG	AVAILABLE	38.4	33.5	0.0546	13.6	15.2	17.6	17.9	14.9	14.2	28.4	32	7-1747769-0	70	
WITH PEG	AVAILABLE	30.4	24.4	0.0486	11.6	13.2	15.6	15.9	12.9	11.5	-	24	6-1747769-0	60	
WITH PEG	AVAILABLE	30.4	24.4	0.0426	9.6	11.2	13.6	13.9	10.9	11.5	-	24	5-1747769-0	50	
WITH PEG	AVAILABLE	30.4	24.4	0.0402	8.8	10.4	12.8	13.1	10.1	11.5	-	24	4-1747769-6	46	
WITHOUT PEG	AVAILABLE	30.4	24.4	0.0353	7.6	/	11.6	11.9	8.9	11.5	-	24	4-1747769-1	40	
WITH PEG	AVAILABLE	30.4	24.4	0.0366	7.6	9.2	11.6	11.9	8.9	11.5	-	24	4-1747769-0	40	
WITH PEG	AVAILABLE	30.4	24.4	0.0306	5.6	7.2	9.6	9.9	6.9	11.5	-	24	3-1747769-0	30	
WITHOUT PEG	AVAILABLE	30.4	24.4	0.0294	5.2	/	9.2	9.5	6.5	11.5	-	24	2-1747769-9	28	
WITH PEG	AVAILABLE	30.4	24.4	0.0294	5.2	6.8	9.2	9.5	6.5	11.5	-	24	2-1747769-8	28	
WITHOUT PEG	AVAILABLE	22.4	16.4	0.0270	4.4	/	8.4	8.7	5.7	7.5	-	16	2-1747769-5	24	
WITH PEG	AVAILABLE	22.4	16.4	0.0270	4.4	6.0	8.4	8.7	5.7	7.5	-	16	2-1747769-4	24	
WITHOUT PEG	AVAILABLE	22.4	16.4	0.0258	4.0	/	8.0	8.3	5.3	7.5	-	16	2-1747769-3	22	
WITH PEG	AVAILABLE	22.4	16.4	0.0258	4.0	5.6	8.0	8.3	5.3	7.5	-	16	2-1747769-2	22	
WITHOUT PEG	AVAILABLE	22.4	16.4	0.0246	3.6	/	7.6	7.9	4.9	7.5	-	16	2-1747769-1	20	
WITH PEG	AVAILABLE	22.4	16.4	0.0246	3.6	5.2	7.6	7.9	4.9	7.5	-	16	2-1747769-0	20	
WITH PEG	AVAILABLE	22.4	16.4	0.0222	3.6	4.4	6.8	7.1	4.1	7.5	-	16	1-1747769-6	16	
WITH PEG	NOT AVAILABLE	22.4	16.4	0.0198	2.0	3.6	6.0	6.3	3.3	7.5	-	16	1-1747769-2	12	
SOLDER PEG	TOOL STATUS	W2	W1	WEIGHT(g)	H	G	F	E	D	C	B	A	QTY/REEL	TAPING P/N	POS

THIS DRAWING IS A CONTROLLED DOCUMENT.

DWN T.KUBO 12AUG2004  
 CHK H.MURAMATSU 12AUG2004  
 APVD H.MURAMATSU 12AUG2004

Tyco Electronics Corporation  
 Kawasaki, Japan

0.4mm PITCH STACKING CONNECTOR  
 H=1.0mm RECEPTACLE,  
 S2 TYPE

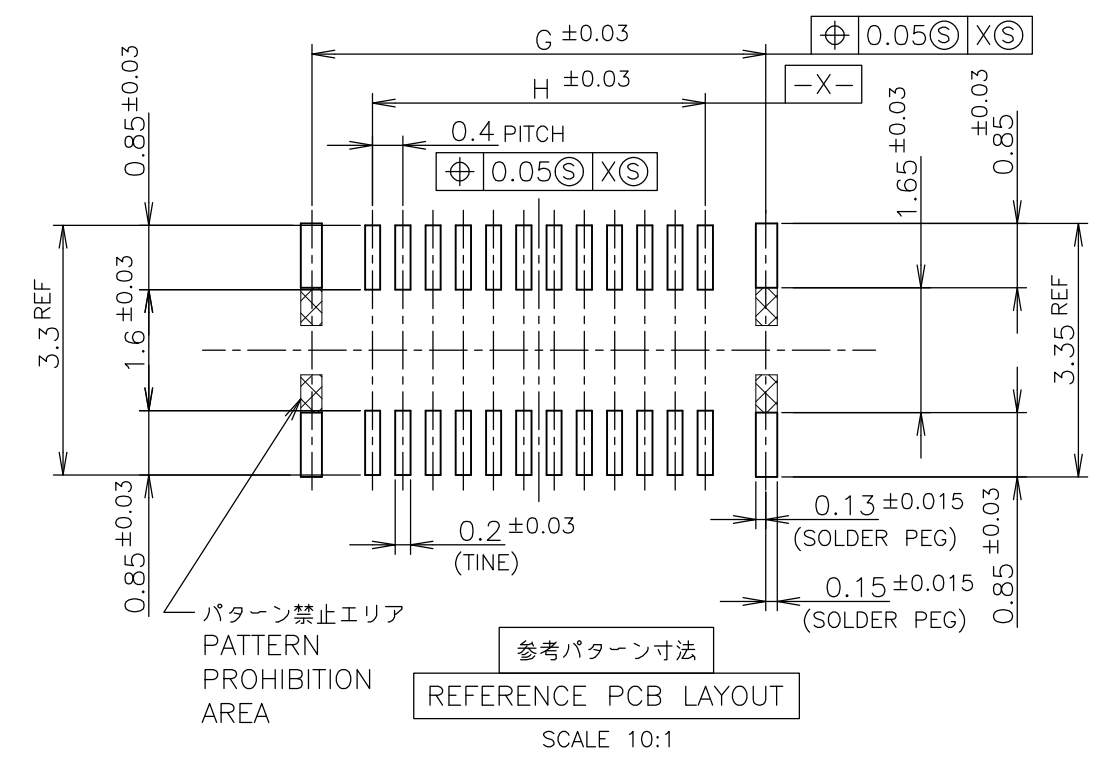
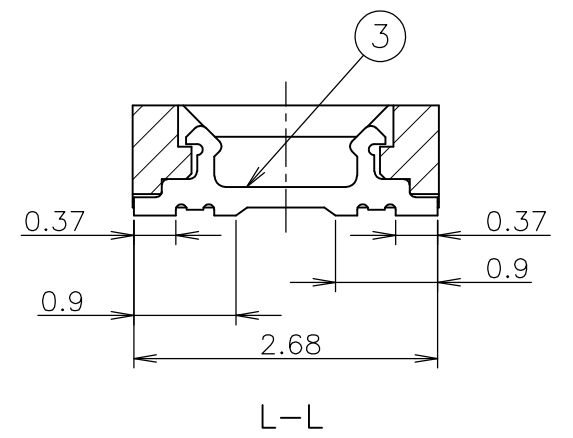
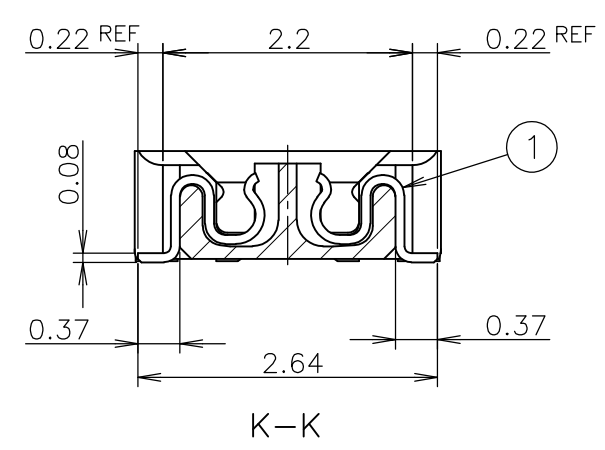
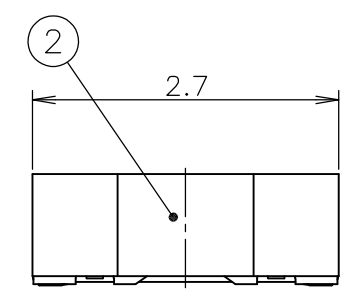
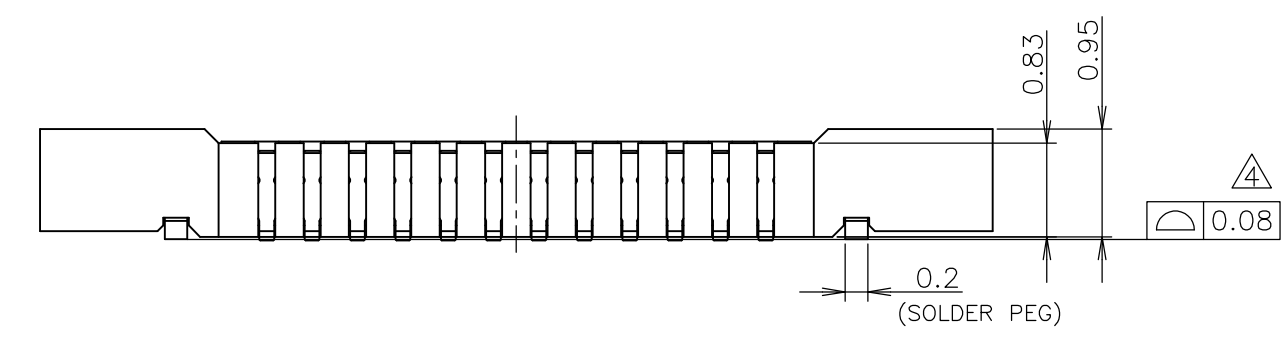
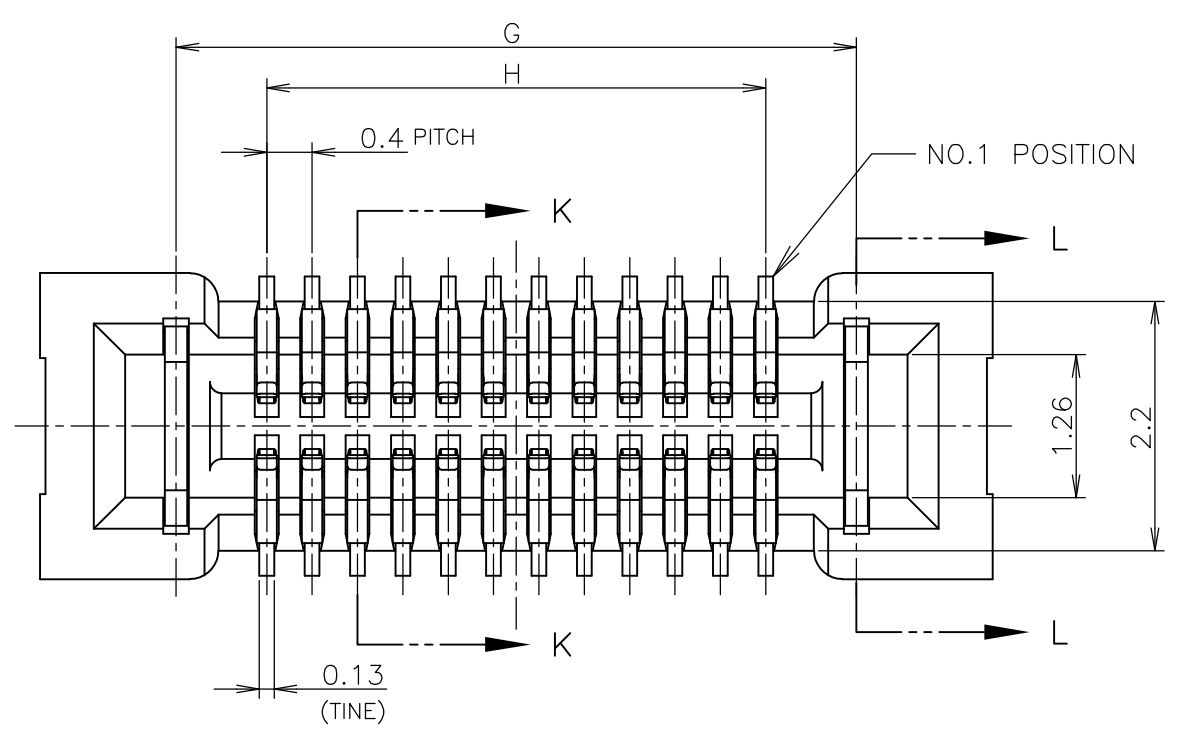
SIZE A3 CAGE CODE 00779 DRAWING NO G-1747769 RESTRICTED TO

CUSTOMER DRAWING SCALE 1:2 SHEET 1 OF 2 REV L

THIS DRAWING IS UNPUBLISHED. RELEASED FOR PUBLICATION AUG, 2004.  
 © COPYRIGHT 2004 BY TYCO ELECTRONICS CORPORATION. ALL INTERNATIONAL RIGHTS RESERVED.

当図面の情報はタイコ エレクトロニクス アンプ 株式会社の所有する情報を開示しており、無断で複写、貴社外部へ配布する事を固く禁じます  
 THIS DRAWING AND INFORMATION ARE OWNED BY TYCO ELECTRONICS AMP K.K AND FORBID  
 COPYING AND DISTRIBUTING WITHOUT NOTICE.

LOC	DIST	REVISIONS					
J	/	P	LTR	DESCRIPTION	DATE	DWN	APVD
		-		SEE SHEET 1	-	-	-



- 3 一般公差: ±0.1
- 4 コプラナリティ: 0.08mm 以下とする
- 5 材料はテーブル参照のこと
- 6 仕上げはテーブル参照のこと
- 7 バリなき事
- 8 その他の詳細は別途打合せのこと

- 3 GENERAL TOLERANCE: ±0.1
- 4 MUST BE MEASURED FLOATING AMOUNT OF TINES AND SOLDER PEG ROM DATUM SURFACE IS 0.08mm MAX.
- 5 MATERIAL THE TABLE IS REFERENCE
- 6 FINISH THE TABLE IS REFERENCE
- 7 NO BURRS ALLOWED
- 8 IN ADDITION DETAILS ARE THE SEPARATE HITTING ADJUSTING

Ni; 1.3um MIN., TIN; 2.0um MIN.	COOPER ALLOY	SOLDER PEG	3
	THERMO PLASTIC	HOUSING	2
Ni; 1.3um MIN., Au; 0.1um MIN. (CONTACT POINT) Ni; 1.3um MIN., Au; 0.05um ~0.20um. (TINE)	COPPER ALLOY	CONTACT	1
FINISH 6	MATERIAL 5	DESCRIPTION	ITEM

THIS DRAWING IS A CONTROLLED DOCUMENT.		DWN	Tyco Electronics Corporation Kawasaki, Japan		
DIMENSIONS: 単位: 耗 mm		CHK	NAME 名称 0.4mm PITCH STACKING CONNECTOR H=1.0mm RECEPTACLE, S2 TYPE		
TOLERANCES UNLESS OTHERWISE SPECIFIED: 一般公差		APVD	PRODUCT SPEC 製品規格 108-5901		
0 PLC ± 1 PLC ± 2 PLC ± 3 PLC ± 4 PLC ± ANGLES ±		PRODUCT SPEC	SIZE	CAGE CODE	DRAWING NO
MATERIAL 材料 5		APPLICATION SPEC 取付適用規格 411-78159	A3	00779	G-1747769
FINISH 仕上げ 6		WEIGHT	RESTRICTED TO		
		CUSTOMER DRAWING			SCALE 尺度 15:1
					SHEET 2 OF 2
					REV L