

CERAMIC SMD MICRO MINIATURE MICROPROCESSOR CRYSTAL



ABM7

6.0 x 3.5 x 1.4mm

ABM7

Pb in Glass

(exempt per RoHS 2002/95/EC Annex (5))

RoHS
Compliant

FEATURES:

- Low in height (1.4 mm max.)
- Ceramic package assures high reliability
- Small size SMD, suitable for high density applications
- Superior heat-resistant glass sealing
- Wide operating temperature available

APPLICATIONS:

- Computers, Modems, Communication equipment
- Thin equipment
- Industrial wide temperature applications

STANDARD SPECIFICATIONS:

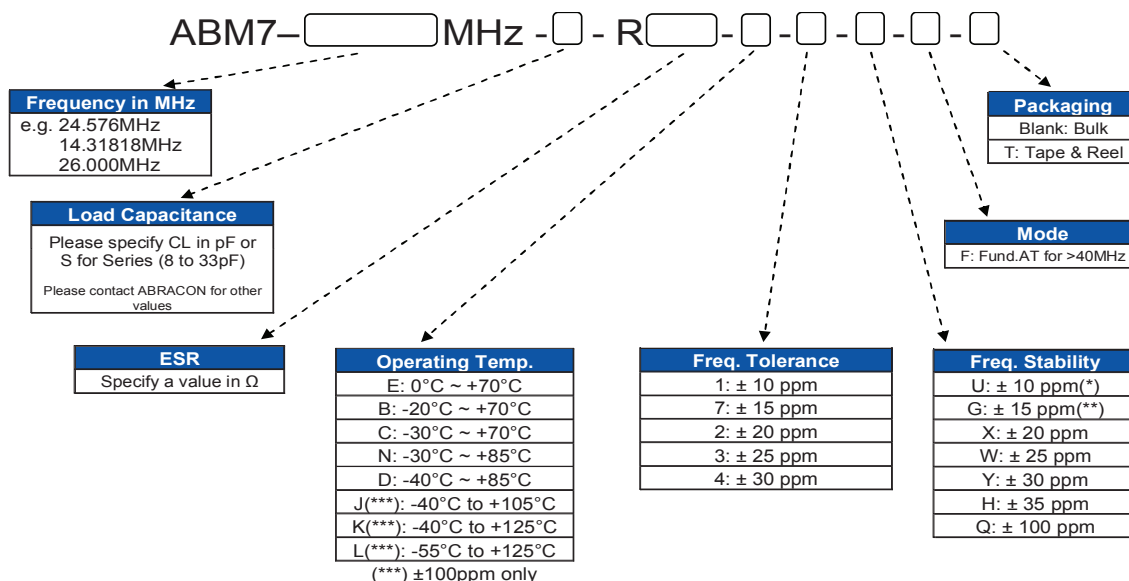
PARAMETERS	
ABRACON P/N	ABM7 Series
Frequency Range	8.00 MHz to 50.00 MHz (*)
Operation Mode	8MHz to 39.999999MHz (Fundamental AT-cut) (Standard) 40MHz to 50MHz (Fundamental AT cut) (See option) 40MHz to 80MHz (3rd OT AT cut) (Standard)
Operating Temperature	-10°C to + 60°C (see options)
Storage Temperature	- 40°C to + 85°C
Frequency Tolerance at +25°C	± 50 ppm max. (see options)
Frequency Stability over the Operating Temp. (Ref to +25°C)	± 50 ppm max. (see options)
Equivalent Series Resistance	See Table 1
Shunt Capacitance C ₀	7pF max.
Load Capacitance C _L	18pF (see options)
Drive Level	100 µW max., 10µW typical
Aging at 25°C First Year	± 5ppm max.
Insulation Resistance	500 MΩ min. with 100Vdc

TABLE 1

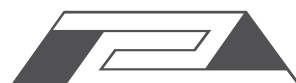
Frequency (MHz)	ESR (Ω)	Frequency (MHz)	ESR (Ω)
8.000 - 9.999 (Fund.)	80	16.000 - 50.000 (Fund.)	50
10.000 - 15.999 (Fund.)	60	40.000 - 80.000 (3rd OT)	70

(*) Frequency above 40MHz based on availability. Please contact ABRACON

OPTIONS AND PART IDENTIFICATION (Left blank if standard)



ABRACON IS
ISO9001:2008
CERTIFIED



ABRACON
CORPORATION

Visit www.abracon.com for Terms & Conditions of Sale **Revised: 06.22.10**
30332 Esperanza, Rancho Santa Margarita, California 92688
tel 949-546-8000 | fax 949-546-8001 | www.abracon.com

CERAMIC SMD MICRO MINIATURE MICROPROCESSOR CRYSTAL



ABM7

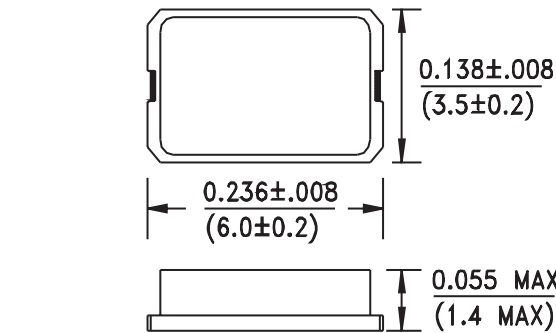
6.0 x 3.5 x 1.4mm

ABM7

Pb in Glass
(exempt per RoHS 2002/95/EC Annex (5))

RoHS
Compliant

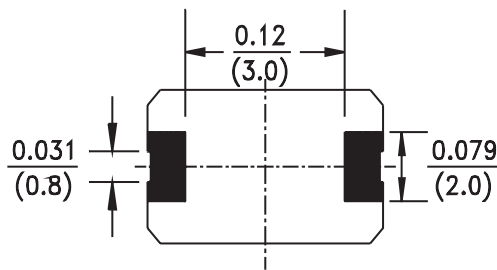
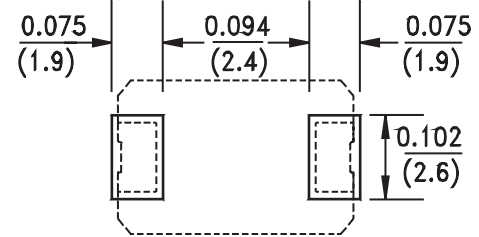
OUTLINE DRAWING:



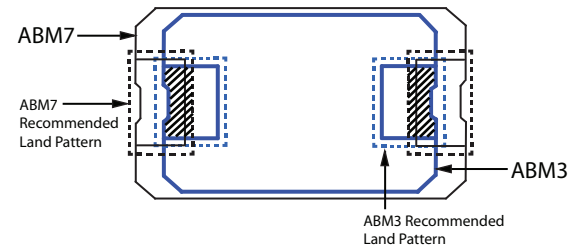
CONNECTION



Recommended land pattern



Land pattern compatibility between ABM3 and ABM7

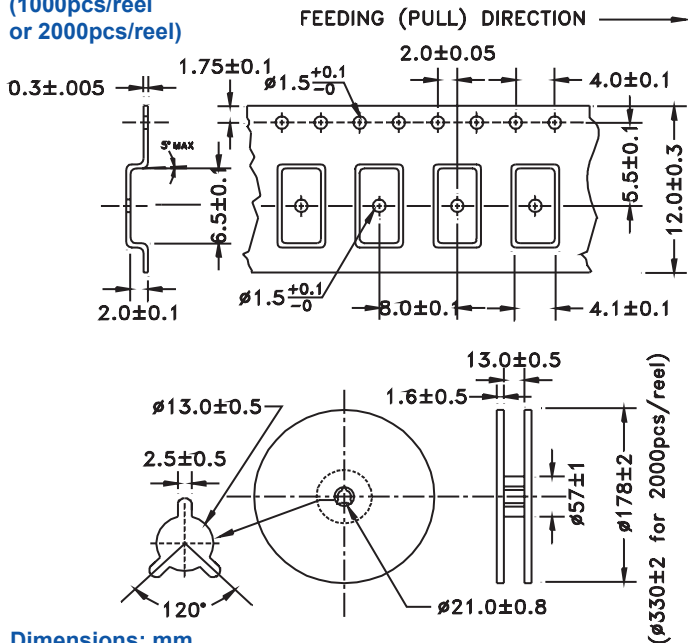


Note: Due to the availability of raw materials, this part may be manufactured with the chamfer on pin 1. Be advised that this does not affect the electrical characteristics of the crystal in any way.

Dimensions: inch (mm)

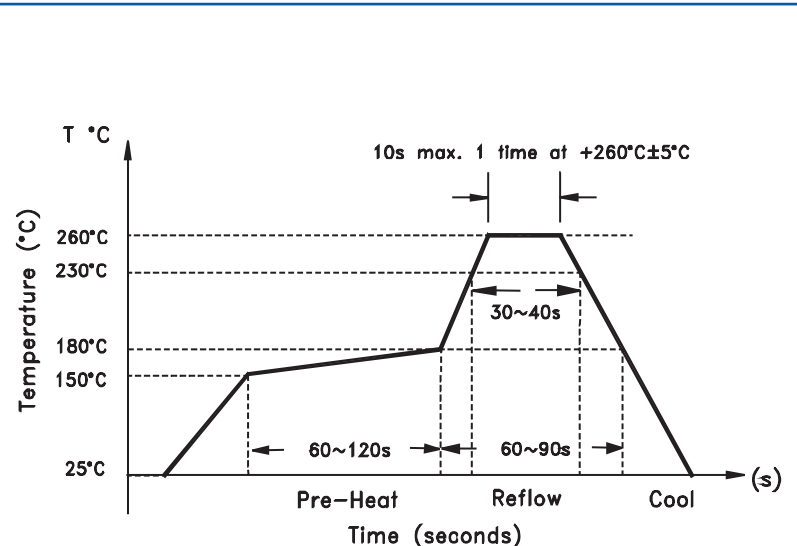
TAPE & REEL:

Tape and reel
(1000pcs/reel
or 2000pcs/reel)



Dimensions: mm

REFLOW PROFILE:



NOTE: Abracon manufactured products are intended for general commercial and industrial use. For applications requiring high reliability and/or presenting extreme operating environment, written consent & authorization from Abracon is required.

ABRACON IS
ISO9001:2008
CERTIFIED



Visit www.abracon.com for Terms & Conditions of Sale **Revised: 03.23.10**

30332 Esperanza, Rancho Santa Margarita, California 92688

tel 949-546-8000 | fax 949-546-8001 | www.abracon.com