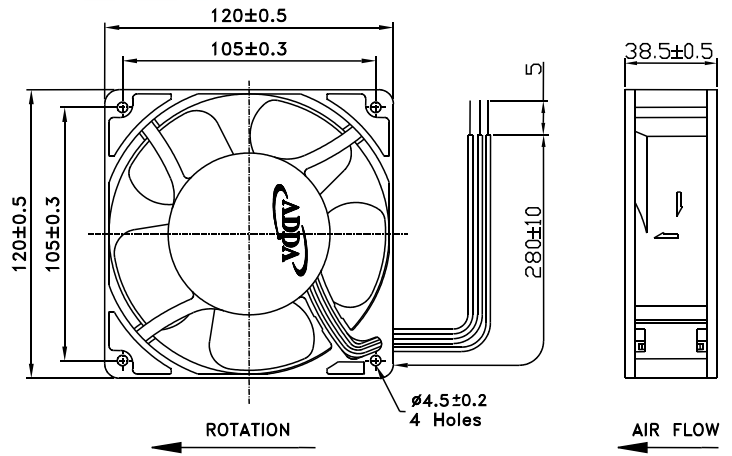


◀ AD12038 SERIES ▶



External Dimensions



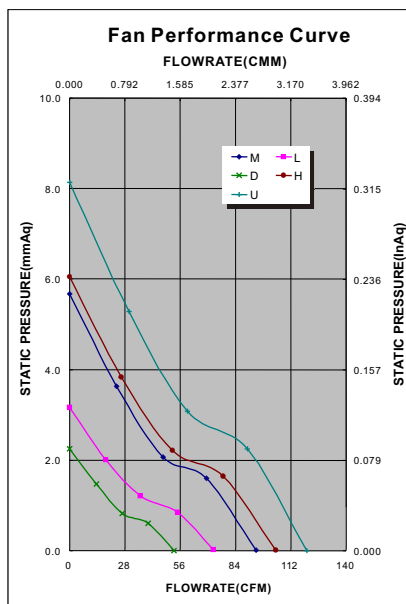
Frame:Plastic(UL:94V-0)  
 Impeller:Plastic(UL:94V-0)  
 Bearing:Ball bearing  
 Lead wire:UL1007AWG24  
 VOLTAGE AVAILABLE:12V,24V,48V

Specifications(Nominal)

\*:Noise is measured at the distance of one(1) meter from the axis of intake.

| Frame size (mm) | Model No.    | Bearing System Type | Rated Voltage (VDC) | Rated Current (A) | Rated Power (W) | Rated Speed (rpm) | Maximum AirFlow |        | Maximum Pressure |        | Noise Level (dB/A) | Weight (g) |
|-----------------|--------------|---------------------|---------------------|-------------------|-----------------|-------------------|-----------------|--------|------------------|--------|--------------------|------------|
|                 |              |                     |                     |                   |                 |                   | (CMM)           | (CFM)  | (InAq)           | (mmAq) |                    |            |
| 120x120x38      | AD1212DB-F51 |                     | 12                  | 0.16              | 1.92            | 1500              | 1.508           | 52.80  | 0.088            | 2.24   | 27.4               | 297.0      |
|                 | AD1212LB-F51 |                     | 12                  | 0.24              | 2.88            | 1950              | 2.065           | 72.30  | 0.127            | 3.17   | 32.9               |            |
|                 | AD1212MB-F51 |                     | 12                  | 0.35              | 4.20            | 2540              | 2.685           | 94.00  | 0.227            | 5.67   | 41.0               |            |
|                 | AD1212HB-F51 |                     | 12                  | 0.50              | 6.00            | 2800              | 2.994           | 104.80 | 0.242            | 6.05   | 42.8               |            |
|                 | AD1212UB-F51 |                     | 12                  | 0.70              | 8.40            | 3200              | 3.405           | 120.24 | 0.326            | 8.14   | 48.0               |            |
|                 | AD1224DB-F51 |                     | 24                  | 0.10              | 2.40            | 1500              | 1.508           | 52.80  | 0.088            | 2.24   | 27.4               |            |
|                 | AD1224LB-F51 |                     | 24                  | 0.14              | 3.36            | 1950              | 2.065           | 72.30  | 0.127            | 3.17   | 32.9               |            |
|                 | AD1224MB-F51 |                     | 24                  | 0.23              | 5.52            | 2540              | 2.685           | 94.00  | 0.227            | 5.67   | 41.0               |            |
|                 | AD1224HB-F51 |                     | 24                  | 0.32              | 7.68            | 2800              | 2.994           | 104.80 | 0.342            | 6.05   | 42.8               |            |
|                 | AD1224UB-F51 |                     | 24                  | 0.40              | 9.60            | 3200              | 3.405           | 120.24 | 0.326            | 8.14   | 48.0               |            |
|                 | AD1248DB-F51 |                     | 48                  | 0.08              | 3.84            | 1500              | 1.508           | 52.80  | 0.088            | 2.24   | 27.4               |            |
|                 | AD1248LB-F51 |                     | 48                  | 0.10              | 4.80            | 1950              | 2.065           | 72.30  | 0.127            | 3.17   | 32.9               |            |
|                 | AD1248MB-F51 |                     | 48                  | 0.14              | 6.72            | 2540              | 2.685           | 94.00  | 0.227            | 5.67   | 41.0               |            |
|                 | AD1248HB-F51 |                     | 48                  | 0.20              | 9.60            | 2800              | 2.994           | 104.80 | 0.342            | 6.05   | 42.8               |            |
|                 | AD1248UB-F51 |                     | 48                  | 0.23              | 11.04           | 3200              | 3.405           | 120.24 | 0.326            | 8.14   | 48.0               |            |

Specifications subject to change without notice.



\*Motor protective circuit and third lead wire functions

|   |   |   |   |   |   |   |   |   |   |   |
|---|---|---|---|---|---|---|---|---|---|---|
| 0 | 1 | 2 | 3 | 4 | 6 | 7 | 8 | 9 | A | B |
|   | ✓ | ✓ | ✓ | ✓ |   |   |   |   |   |   |

\*Safety approvals

|   |   |  |   |   |
|---|---|--|---|---|
|   |   |  |   |   |
| ✓ | ✓ |  | ✓ | ✓ |