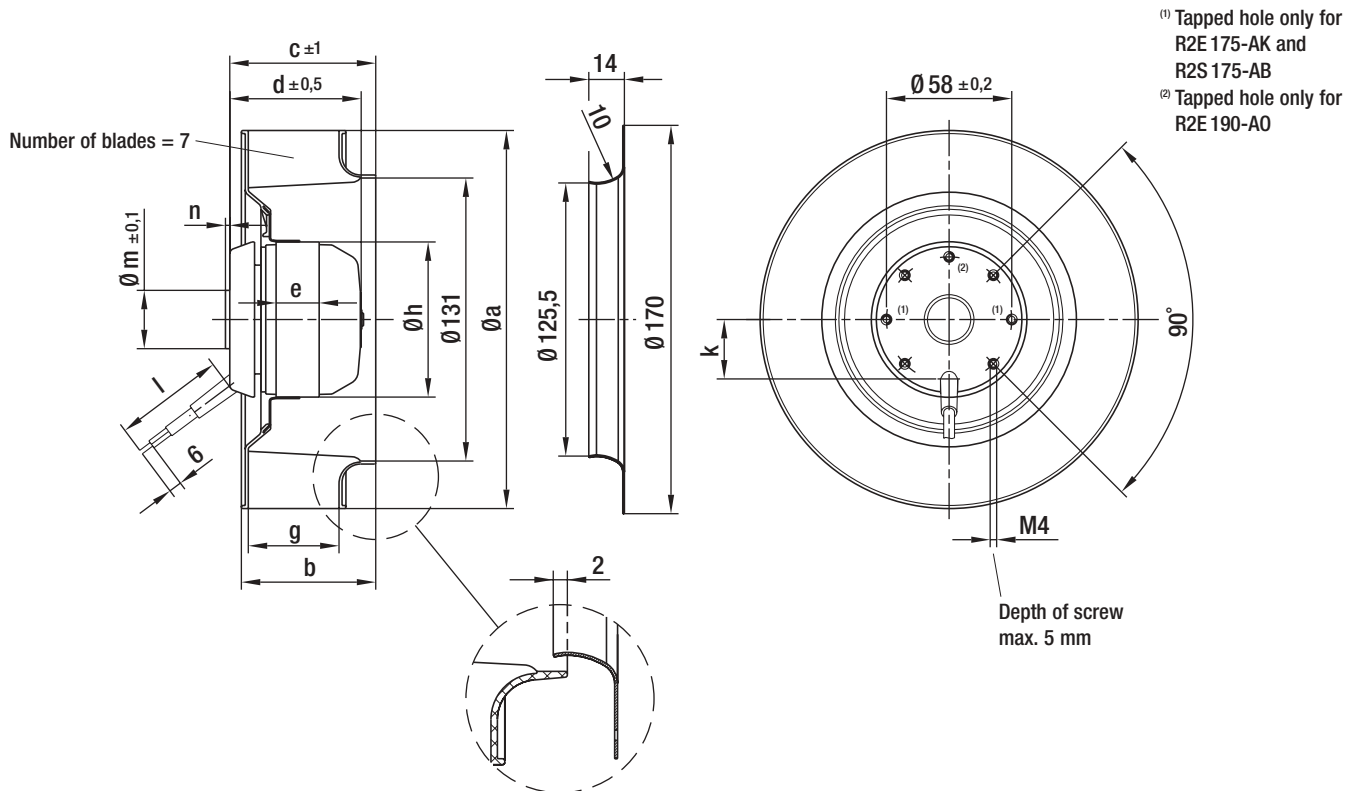


Dimensions

| Type             | a   | b    | c    | d    | e  | g    | h  | k    | l   | m   | n   | Inlet ring   |
|------------------|-----|------|------|------|----|------|----|------|-----|-----|-----|--------------|
| R2E 175-AR72 -05 | 175 | 62,0 | 68,5 | 61,5 | 20 | 42,0 | 72 | 27,5 | 450 | --- | --- | 09576-2-4013 |
| R2S 175-AB56 -01 | 175 | 62,0 | 69,0 | 61,5 | 20 | 42,0 | 72 | 27,5 | 400 | --- | --- | 09576-2-4013 |
| R2E 190-A026 -05 | 190 | 62,8 | 68,5 | 62,7 | 15 | 44,6 | 92 | 27,0 | 450 | 27  | 2   | 09576-2-4013 |



# AC centrifugal fans

backward curved, Ø 220 / 225



- **Material:** impeller completely made of plastic PA 6.6 (polyamide, glass-fibre reinforced), injection-moulded round sheet-metal plate

ebm-papst • Muldingen

| Nominal data                    |            | Characteristic | Voltage | Frequency | Air flow | Speed/rpm | Power input | Current draw | Capacitor | Noise level | Perm. amb. temp. | Mass |
|---------------------------------|------------|----------------|---------|-----------|----------|-----------|-------------|--------------|-----------|-------------|------------------|------|
| Type                            | Motor      |                | VAC     | Hz        | m³/h     | min⁻¹     | W           | A            | µF/VDB    | dB(A)       | °C               | kg   |
| R2E 220-AA40 -05                | M2E 068-BF | ①              | 230     | 50        | 860      | 2600      | 85          | 0,38         | 3,0/400   | 73          | 40               | 1,5  |
|                                 |            |                | 230     | 60        | 900      | 2700      | 90          | 0,40         | 2,0/400   | 74          | 40               |      |
| R2E 220-AB06 -05                | M2E 068-CF | ②              | 230     | 50        | 885      | 2700      | 85          | 0,38         | 2,5/400   | 72          | 55               | 2,5  |
|                                 |            |                | 230     | 60        | 990      | 3050      | 115         | 0,51         | 2,5/400   | 75          | 55               |      |
| R2E 225-BD92 -09 <sup>(1)</sup> | M2E 068-DF | ③              | 230     | 50        | 1200     | 2650      | 135         | 0,60         | 4,0/450   | 69          | 60               | 2,3  |
|                                 |            |                | 230     | 60        | 1340     | 2950      | 200         | 0,88         | 4,0/450   | 71          | 60               |      |
| R4E 225-AT01 -05                | M4E 068-CF | ④              | 230     | 50        | 655      | 1420      | 40          | 0,20         | 1,5/400   | 59          | 50               | 1,8  |
|                                 |            |                | 230     | 60        | 765      | 1660      | 37          | 0,18         | 1,0/400   | 61          | 80               |      |

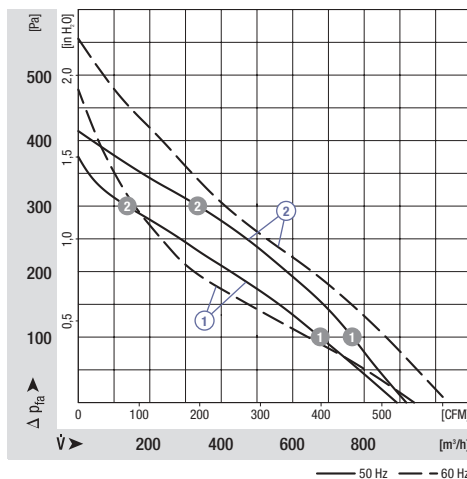
subject to alterations

<sup>(1)</sup> Insulation class "F"

|     | n [min⁻¹] | P <sub>1</sub> [W] |
|-----|-----------|--------------------|
| ① ① | 2390      | 95                 |
| ① ② | 2490      | 90                 |
| ② ① | 2650      | 96                 |
| ② ② | 2600      | 102                |

|     | n [min⁻¹] | P <sub>1</sub> [W] |
|-----|-----------|--------------------|
| ③ ① | 2610      | 146                |
| ③ ② | 2650      | 138                |
| ④ ① | 1410      | 41                 |
| ④ ② | 1400      | 43                 |

## Characteristics



## Characteristics

