

R4D450-AK01-01

AC centrifugal fan

backward curved, single inlet



Nominal data

Type	R4D450-AK01-01				
Motor	M4D110-GF				
Phase		3~	3~	3~	3~
Nominal voltage	[V]	230	230	400	400
Connection		D	D	Y	Y
Frequency	[Hz]	50	60	50	60
Type of data definition		ml	ml	ml	ml
Valid for approval / standard		CE	CE	CE	CE
Speed	[min ⁻¹]	1350	1490	1350	1490
Power input	[W]	740	1090	740	1090
Current draw	[A]	2.6	3.32	1.5	1.92
Min. back pressure	[Pa]	0	0	0	0
Max. ambient temperature	[°C]	80	50	80	50

ml = max. load · me = max. efficiency · rfa = running at free air · cs = customer specs · cu = customer unit
Subject to alterations

R4D450-AK01-01

AC centrifugal fan

backward curved, single inlet

Technical features

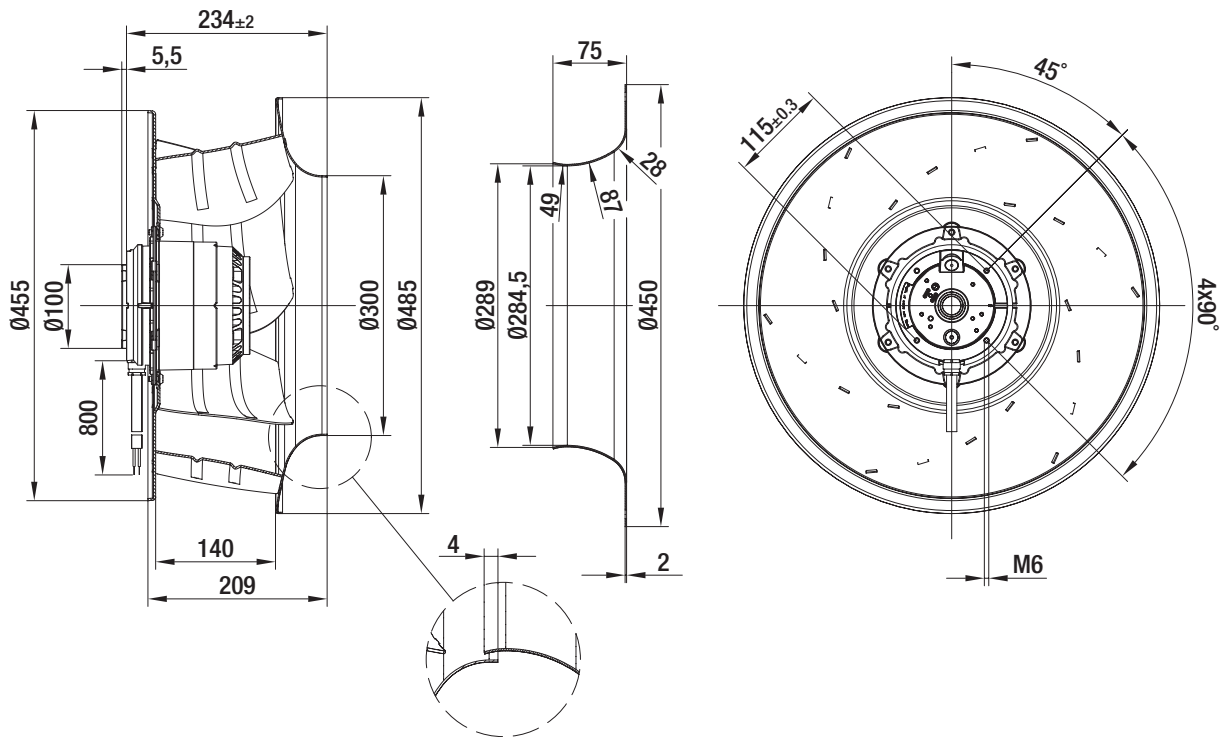
Leakage current	<= 3,5 mA
General description	3D impeller
Size	450 mm
Operation mode	Continuous operation (S1)
Direction of rotation	Clockwise, seen on rotor
Humidity class	F3-1
Insulation class	"F"
Bearing motor	Ball bearing
Mass	12.5 kg
Material of electronics housing	Rotor: Coated in black
Material of impeller	Sheet aluminum, welded
Motor protection	Thermal overload protector (TOP) brought out
Product conforming to standard	CE
Number of blades	6
Type of protection	IP 54
Protection class	I
Approval	CSA C22.2 Nr.100; GOST; UL 1004

R4D450-AK01-01

AC centrifugal fan

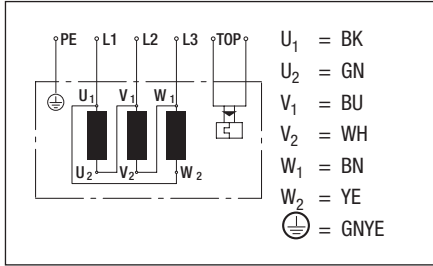
backward curved, single inlet

Product drawing

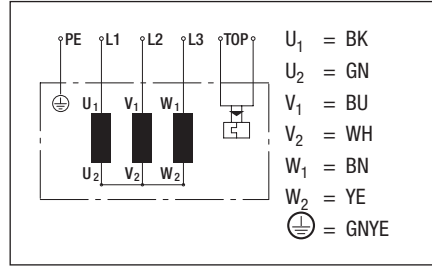


Connection screen

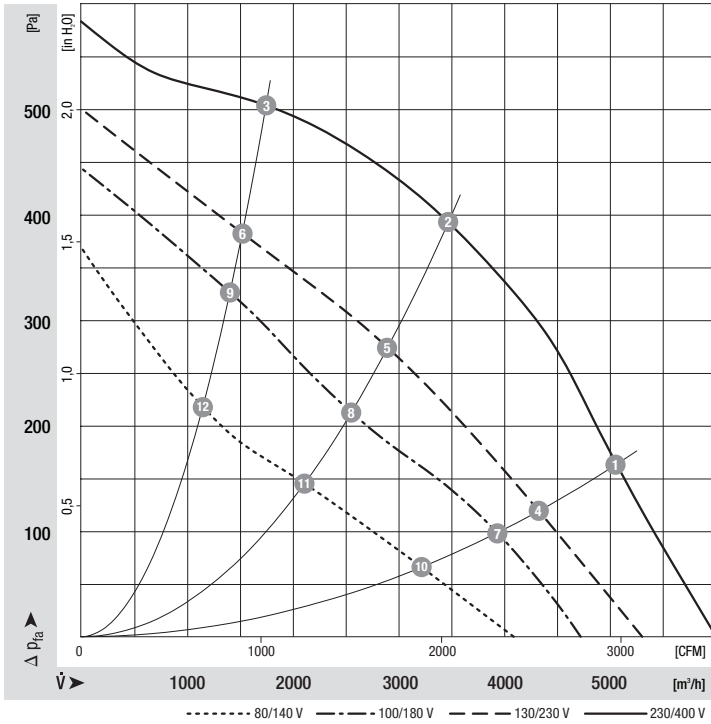
Delta (3~ 230 VAC)



Star (3~ 400 VAC)



Charts: Air flow



Measured values

	n	P ₁	I	LwA _{ss}
	[min ⁻¹]	[W]	[A]	[dB(A)]
1	1370	650	1.35	75
2	1350	730	1.45	70
3	1380	0.61	1.30	76
4	1155	0.47	1.40	70
5	1115	510	1.50	65
6		450	1.30	72
7		370	1.40	68
8		380	1.50	61
9	1100	0.32	1.30	70
10	830	0.26	1.30	61
11	780	270	1.30	56
12	850	250	1.25	63