

**LZ Series** Useful of 4,000 hours at 105°C (Warranty of 2,000 hours at 105°C)

• Conform RoHS

**Features**

- 105°C high temperature resistance and ripple current resistance, high reliability.
- Suitable for wave filtering return circuit for power of equipment, such as: computer.



Product Specifications

Items	Specifications
Temperature range	-40°C ~ +105°C
Rated voltage	10 ~ 500V.DC
Capacitance tolerance	±20% (20°C,120Hz)
Leakage current	0.02CV (μA) or 3mA, whichever is smaller or less(20 °C,after 5 minutes) [C = nominal capacitance (μF), V = rated voltage (V)]
Dissipation factor	Less than the value specified in the standard products table. (20°C,120Hz)
Permissible ripple current	As specified in the standard products table. (105°C,120Hz)
High temp. Load life test	After 105°C,2000h, rated voltage with specified ripple current applicatin Capacitance variation : Initial value ±20% Dissipation factor : 200% of less specified initial value Leakage current : initial Specified value or less
Others	JIS C 5101-4.

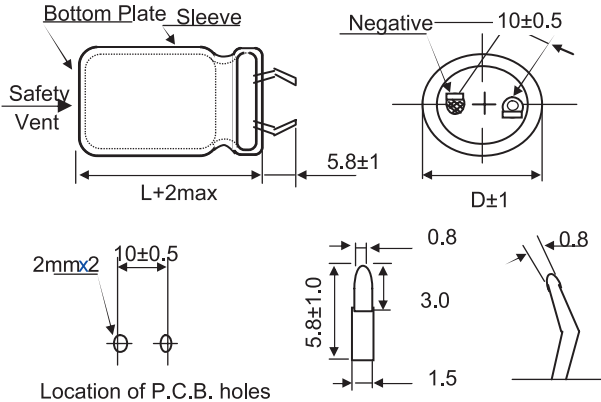
Ripple current correction coefficient

Temperature (°C)	45	60	85	105		
Correction coefficient	2.50	2.20	1.65	1.00		
Frequency (Hz)	50/60	120	1k	10K	100K	
Correction coefficient	10-100V	0.88	1.00	1.15	1.15	1.20
	160-250V	0.85	1.00	1.15	1.20	1.20
	350-500V	0.88	1.00	1.10	1.15	1.20

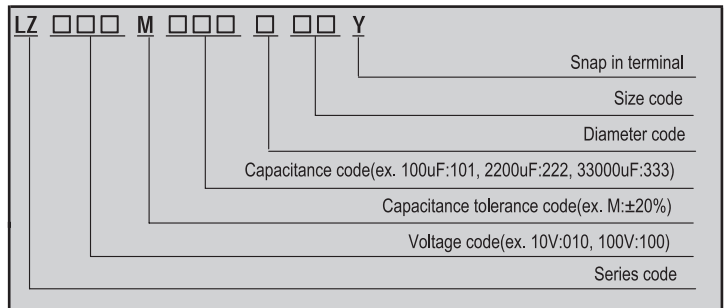
A continuous load should be avoided over 10 Arms at the terminal in accordance with the permissible current.

Please consult us when the ripple voltage exceeds 70Vp-p.

DIMENSIONS(mm)



Part numbering system



Please refer to "Product code guide (Snap-in terminal type)"

Standard Products Table

WV (Vdc)	Cap (uF)	Case size φ D× L(mm)	tanδ (Max)	R.C. (Arms/105 °C,120HZ)	IMP(Ω) (max)	Part No.	WV (Vdc)	Cap (uF)	Case size φ D× L(mm)	tanδ (Max)	R.C. (Arms/105 °C,120HZ)	IMP(Ω) (max)	Part No.
10	10000	22×25	0.45	1.88	0.077	LZ010M103M25Y	35	2700	22×25	0.30	1.21	0.174	LZ035M272M25Y
	12000	22×30	0.45	2.18	0.068	LZ010M123M30Y		3300	22×30	0.30	1.36	0.142	LZ035M332M30Y
	12000	25×25	0.45	2.18	0.068	LZ010M123N25Y		3900	22×30	0.30	1.57	0.120	LZ035M392M30Y
	15000	22×35	0.45	2.27	0.055	LZ010M153M35Y		4700	22×35	0.30	1.77	0.098	LZ035M472M35Y
	15000	25×30	0.45	2.27	0.055	LZ010M153N30Y		4700	25×25	0.30	1.77	0.098	LZ035M472N25Y
	18000	22×40	0.45	2.41	0.048	LZ010M183M40Y		5600	22×40	0.30	1.99	0.083	LZ035M562M40Y
	18000	25×30	0.45	2.41	0.048	LZ010M183N30Y		5600	25×30	0.30	1.99	0.083	LZ035M562N30Y
	22000	22×45	0.45	2.68	0.045	LZ010M223M45Y		6800	22×45	0.30	2.29	0.069	LZ035M682M45Y
	22000	25×35	0.45	2.68	0.045	LZ010M223N35Y		6800	25×35	0.30	2.29	0.069	LZ035M682M35Y
	27000	25×40	0.45	3.17	0.040	LZ010M223N35Y		8200	22×50	0.30	2.58	0.057	LZ035M822M50Y

Standard Products Table

WV (Vdc)	Cap (uF)	Case size φ D× L(mm)	tanδ (Max)	R.C. (Arms/105 °C, 120HZ)	IMP(Ω) (max)	Part No.	WV (Vdc)	Cap (uF)	Case size φ D× L(mm)	tanδ (Max)	R.C. (Arms/105 °C, 120HZ)	IMP(Ω) (max)	Part No.
10	27000	30×35	0.45	3.17	0.040	LZ010M273O35Y	35	8200	25×40	0.30	2.58	0.057	LZ035M822N40Y
	33000	25×45	0.45	3.39	0.036	LZ010M333N45Y		10000	25×45	0.30	2.90	0.054	LZ035M103N45Y
	33000	30×35	0.45	3.39	0.036	LZ010M333O35Y		10000	30×35	0.30	2.90	0.054	LZ035M103O35Y
	39000	25×50	0.45	3.72	0.033	LZ010M393M50Y		12000	25×50	0.30	3.24	0.046	LZ035M123N50Y
	39000	30×40	0.45	3.72	0.033	LZ010M393O40Y		12000	30×40	0.30	3.24	0.046	LZ035M123O40Y
	47000	30×45	0.45	4.22	0.030	LZ010M473O45Y		15000	30×45	0.30	3.65	0.037	LZ035M153O45Y
	47000	35×35	0.45	4.22	0.030	LZ010M473P35Y		15000	35×35	0.30	3.65	0.037	LZ035M153P35Y
	56000	35×40	0.45	5.00	0.019	LZ010M563P40Y		18000	35×40	0.30	4.13	0.030	LZ035M183P40Y
	68000	35×50	0.45	5.21	0.016	LZ010M683P50Y		22000	35×50	0.30	4.78	0.025	LZ035M223P50Y
16	6800	22×25	0.40	1.80	0.098	LZ016M682M25Y	50	1500	22×25	0.25	1.20	0.268	LZ050M152M25Y
	8200	22×30	0.40	2.08	0.082	LZ016M823M30Y		1800	22×30	0.25	1.40	0.222	LZ050M182M30Y
	8200	25×25	0.40	2.08	0.082	LZ016M823N25Y		2200	22×30	0.25	1.60	0.182	LZ050M222M30Y
	10000	22×35	0.40	2.15	0.062	LZ016M103M35Y		2200	25×25	0.25	1.60	0.182	LZ050M222N25Y
	10000	25×30	0.40	2.15	0.062	LZ016M103N30Y		2700	22×35	0.25	1.73	0.148	LZ050M272M35Y
	12000	22×40	0.40	2.31	0.056	LZ016M123M40Y		2700	25×30	0.25	1.73	0.148	LZ050M272N30Y
	12000	25×30	0.40	2.31	0.056	LZ016M123N30Y		3300	22×40	0.25	1.97	0.123	LZ050M332M40Y
	15000	22×45	0.40	2.69	0.045	LZ016M153M45Y		3300	25×30	0.25	1.97	0.123	LZ050M332N30Y
	15000	25×35	0.40	2.69	0.045	LZ016M153N35Y		3900	22×45	0.25	2.23	0.104	LZ050M392M45Y
16	18000	22×50	0.40	3.20	0.042	LZ016M183M50Y	50	3900	25×35	0.25	2.23	0.104	LZ050M392N35Y
	18000	25×40	0.40	3.20	0.042	LZ016M183N40Y		4700	22×50	0.25	2.45	0.086	LZ050M472M50Y
	22000	25×45	0.40	3.40	0.040	LZ016M223N45Y		4700	25×40	0.25	2.45	0.086	LZ050M472N40Y
	22000	30×35	0.40	3.40	0.040	LZ016M223O35Y		5600	25×45	0.25	2.74	0.074	LZ050M562N45Y
	27000	30×40	0.40	3.85	0.035	LZ016M273O40Y		5600	30×35	0.25	2.74	0.074	LZ050M562O35Y
	27000	35×35	0.40	3.85	0.035	LZ016M273P35Y		6800	30×40	0.25	3.31	0.069	LZ050M682O40Y
	33000	30×50	0.40	4.32	0.025	LZ016M333O50Y		6800	35×30	0.25	3.31	0.069	LZ050M682P30Y
	33000	35×40	0.40	4.32	0.025	LZ016M333P40Y		8200	30×45	0.25	3.60	0.050	LZ050M822O45Y
	39000	35×40	0.40	4.85	0.023	LZ016M393P40Y		8200	35×35	0.25	3.60	0.050	LZ050M822P35Y
25	47000	35×50	0.40	5.56	0.020	LZ016M473P50Y	63	10000	35×40	0.25	4.02	0.046	LZ050M103P40Y
	3900	22×25	0.35	1.35	0.137	LZ025M392M25Y		12000	35×50	0.25	4.52	0.039	LZ050M123P50Y
	4700	22×30	0.35	1.58	0.114	LZ025M472M30Y		1200	25×25	0.25	1.21	0.276	LZ063M122N25Y
	5600	22×30	0.35	1.75	0.096	LZ025M562M30Y		1500	22×30	0.25	1.45	0.223	LZ063M152M30Y
	5600	25×25	0.35	1.75	0.096	LZ025M562N25Y		1500	25×25	0.25	1.45	0.223	LZ063M152N25Y
	6800	22×35	0.35	2.02	0.079	LZ025M682M35Y		1800	22×35	0.25	1.59	0.187	LZ063M182M35Y
	6800	25×30	0.35	2.02	0.079	LZ025M682N30Y		1800	25×30	0.25	1.59	0.187	LZ063M182N30Y
	8200	22×40	0.35	2.18	0.066	LZ025M822M40Y		2200	22×40	0.25	1.84	0.158	LZ063M222M40Y
	8200	25×35	0.35	2.18	0.066	LZ025M822N35Y		2200	25×30	0.25	1.84	0.158	LZ063M222N30Y
25	10000	22×45	0.35	2.48	0.058	LZ025M103M45Y	2700	22×45	0.25	2.12	0.126	LZ063M272M45Y	
	10000	25×40	0.35	2.48	0.058	LZ025M103N40Y	2700	25×35	0.25	2.12	0.126	LZ063M272N35Y	
	12000	22×50	0.35	2.86	0.050	LZ025M123M50Y	3300	25×40	0.25	2.30	0.102	LZ063M332N40Y	
	12000	25×45	0.35	2.86	0.050	LZ025M123N45Y	3300	30×30	0.25	2.30	0.102	LZ063M332O30Y	
	15000	25×50	0.35	3.15	0.040	LZ025M153N50Y	3900	25×45	0.25	2.42	0.087	LZ063M392N45Y	
	15000	30×40	0.35	3.15	0.040	LZ025M153O40Y	3900	30×35	0.25	2.42	0.087	LZ063M392O35Y	
	18000	30×45	0.35	3.55	0.038	LZ025M183O45Y	4700	25×50	0.25	2.91	0.075	LZ063M472N50Y	
	18000	35×35	0.35	3.55	0.038	LZ025M183P35Y	4700	30×40	0.25	2.91	0.075	LZ063M472O40Y	
	22000	30×50	0.35	4.00	0.034	LZ025M223O50Y	5600	30×45	0.25	3.18	0.060	LZ063M562O45Y	
	22000	35×40	0.35	4.00	0.034	LZ025M223P40Y	5600	35×35	0.25	3.18	0.060	LZ063M562P35Y	
	27000	35×45	0.35	4.55	0.030	LZ025M273P45Y	6800	30×50	0.25	3.54	0.050	LZ063M682O50Y	
	33000	35×50	0.35	5.56	0.024	LZ025M333P50Y	6800	35×40	0.25	3.54	0.050	LZ063M682P40Y	

SNAP MOUNT TYPE ALUMINUM ELECTROLYTIC CAPACITORS

Standard Products Table

WV (Vdc)	Cap (uF)	Case size φ D× L(mm)	tanδ (Max)	R.C. (Arms/105 °C, 120HZ)	IMP(Ω) (max)	Part No.	WV (Vdc)	Cap (uF)	Case size φ D× L(mm)	tanδ (Max)	R.C. (Arms/105 °C, 120HZ)	IMP(Ω) (max)	Part No.
80	2200	25×40	0.20	2.01	0.133	LZ080M222N40Y	200	470	22×40	0.15	1.48	0.426	LZ200M471M40Y
	2200	30×30	0.20	2.01	0.133	LZ080M222O30Y		470	25×30	0.15	1.48	0.426	LZ200M471N30Y
	2700	25×45	0.20	2.32	0.099	LZ080M272N45Y		560	22×45	0.15	1.65	0.356	LZ200M561M45Y
	2700	30×35	0.20	2.32	0.099	LZ080M272O35Y		560	25×35	0.15	1.65	0.356	LZ200M561N35Y
	3300	30×40	0.20	2.62	0.086	LZ080M332O40Y		680	25×40	0.15	1.75	0.293	LZ200M681N40Y
	3300	35×30	0.20	2.62	0.086	LZ080M332P30Y		680	30×30	0.15	1.75	0.293	LZ200M681O30Y
	3900	30×45	0.20	2.84	0.070	LZ080M392O45Y		820	25×50	0.15	2.04	0.245	LZ200M821N50Y
	3900	35×35	0.20	2.84	0.070	LZ080M392P35Y		820	30×35	0.15	2.04	0.245	LZ200M821O35Y
	4700	30×50	0.20	3.29	0.068	LZ080M472O50Y		1000	30×45	0.15	2.30	0.202	LZ200M102O45Y
	5600	35×45	0.20	3.82	0.048	LZ080M472P45Y		1000	35×35	0.15	2.30	0.202	LZ200M102P35Y
100	6800	35×50	0.20	3.92	0.038	LZ080M682P50Y	1200	30×50	0.15	2.65	0.167	LZ200M122O50Y	
	10000	35×55	0.20	4.20	0.027	LZ080M103P55Y	1200	35×40	0.15	2.65	0.167	LZ200M122P40Y	
	560	22×25	0.20	1.02	0.476	LZ100M561M25Y	1500	35×45	0.15	2.98	0.134	LZ200M152P45Y	
	680	22×30	0.20	1.12	0.393	LZ100M681M30Y	250	150	22×25	0.15	0.76	1.328	LZ250M151M25Y
	820	22×30	0.20	1.32	0.324	LZ100M821M30Y		180	22×30	0.15	0.98	1.106	LZ250M181M30Y
	820	25×25	0.20	1.32	0.324	LZ100M821N25Y		220	22×30	0.15	1.09	0.905	LZ250M221M30Y
	1000	22×35	0.20	1.45	0.268	LZ100M102M35Y		220	25×25	0.15	1.09	0.905	LZ250M221N25Y
	1000	25×30	0.20	1.45	0.268	LZ100M102N30Y		270	22×35	0.15	1.19	0.738	LZ250M271M35Y
	1200	22×40	0.20	1.68	0.223	LZ100M122M40Y		270	25×30	0.15	1.19	0.738	LZ250M271N30Y
	1200	25×35	0.20	1.68	0.223	LZ100M122N35Y		330	22×40	0.15	1.35	0.605	LZ250M331M40Y
	1500	22×45	0.20	1.98	0.177	LZ100M152M45Y		330	25×35	0.15	1.35	0.605	LZ250M331N35Y
	1500	25×40	0.20	1.98	0.177	LZ100M152N40Y		390	22×45	0.15	1.52	0.512	LZ250M391M45Y
	1800	25×45	0.20	2.23	0.148	LZ100M182N45Y		390	25×35	0.15	1.52	0.512	LZ250M391N35Y
	1800	30×35	0.20	2.23	0.148	LZ100M182O35Y		470	22×50	0.15	1.63	0.425	LZ250M471M50Y
	2200	25×50	0.20	2.53	0.123	LZ100M222N50Y		470	25×40	0.15	1.63	0.425	LZ250M471N40Y
	2200	30×40	0.20	2.53	0.123	LZ100M222O40Y		560	25×45	0.15	1.84	0.357	LZ250M561N45Y
	2700	30×45	0.20	2.82	0.098	LZ100M272O45Y		560	30×35	0.15	1.84	0.357	LZ250M561O35Y
	2700	35×35	0.20	2.82	0.098	LZ100M272P35Y		680	25×50	0.15	2.05	0.294	LZ250M681N50Y
	3300	30×50	0.20	3.32	0.081	LZ100M332O50Y		680	30×40	0.15	2.05	0.294	LZ250M681O40Y
	3300	35×40	0.20	3.32	0.081	LZ100M332P40Y		820	30×45	0.15	2.29	0.246	LZ250M821O45Y
3900	35×45	0.20	3.62	0.068	LZ100M392P45Y	820		35×35	0.15	2.29	0.246	LZ250M821P35Y	
4700	35×50	0.20	3.80	0.058	LZ100M472P50Y	1000		35×40	0.15	2.49	0.201	LZ250M102P40Y	
160	270	22×25	0.15	1.04	0.738	LZ160M270M25Y		1200	35×45	0.15	2.84	0.167	LZ250M122P45Y
	330	22×30	0.15	1.26	0.605	LZ160M331M30Y	82	22×25	0.20	0.60	3.233	LZ350M820M25Y	
	390	22×30	0.15	1.29	0.514	LZ160M391M30Y	100	22×30	0.20	0.69	2.654	LZ350M101M30Y	
	390	25×25	0.15	1.29	0.514	LZ160M391N25Y	100	22×25	0.20	0.69	2.654	LZ350M101M25Y	
	470	22×35	0.15	1.56	0.426	LZ160M471M35Y	120	22×35	0.20	0.76	2.215	LZ350M121M35Y	
	470	25×30	0.15	1.56	0.426	LZ160M471N30Y	120	25×30	0.20	0.76	2.215	LZ350M121N30Y	
	560	22×40	0.15	1.69	0.357	LZ160M561M40Y	150	22×40	0.20	0.79	1.770	LZ350M151M40Y	
	560	25×30	0.15	1.69	0.357	LZ160M561N30Y	150	25×30	0.20	0.79	1.770	LZ350M151N30Y	
	680	22×45	0.15	1.72	0.294	LZ160M681M45Y	180	22×45	0.20	0.88	1.475	LZ350M181M45Y	
	680	25×35	0.15	1.72	0.294	LZ160M681N35Y	180	25×35	0.20	0.88	1.475	LZ350M181N35Y	
	820	22×50	0.15	1.99	0.246	LZ160M821M50Y	220	22×50	0.20	0.98	1.208	LZ350M221M50Y	
	820	25×40	0.15	1.99	0.246	LZ160M821N40Y	220	25×40	0.20	0.98	1.208	LZ350M221N40Y	
	1000	25×45	0.15	2.20	0.202	LZ160M102N45Y	270	25×45	0.20	1.10	0.984	LZ350M271N45Y	
	1000	30×35	0.15	2.20	0.202	LZ160M102O35Y	270	30×35	0.20	1.10	0.984	LZ350M271O35Y	
	1200	30×40	0.15	2.45	0.168	LZ160M122O40Y	330	30×40	0.20	1.22	0.806	LZ350M331O40Y	
	1200	35×35	0.15	2.45	0.168	LZ160M122P35Y	330	35×35	0.20	1.22	0.806	LZ350M331P35Y	

SNAP MOUNT TYPE ALUMINUM ELECTROLYTIC CAPACITORS

Standard Products Table

WV (Vdc)	Cap (uF)	Case size φ D× L(mm)	tanδ (Max)	R.C. (Arms/105 °C, 120HZ)	IMP(Ω) (max)	Part No.	WV (Vdc)	Cap (uF)	Case size φ D× L(mm)	tanδ (Max)	R.C. (Arms/105 °C, 120HZ)	IMP(Ω) (max)	Part No.	
400	100	25×25	0.20	0.72	3.318	LZ400M101M25Y	450	180	25×45	0.20	1.15	1.842	LZ450M181N45Y	
	120	22×40	0.20	0.75	2.766	LZ400M121M40Y		180	30×40	0.20	1.15	1.842	LZ450M181O40Y	
	120	25×30	0.20	0.75	2.766	LZ400M121N30Y		220	30×45	0.20	1.24	1.506	LZ450M221O45Y	
	150	22×45	0.20	0.89	2.214	LZ400M151M45Y		220	35×40	0.20	1.24	1.506	LZ450M221P40Y	
	150	25×35	0.20	0.89	2.214	LZ400M151N35Y		270	30×50	0.20	1.46	1.230	LZ450M271O50Y	
	180	22×50	0.20	0.98	1.842	LZ400M181M50Y		270	35×45	0.20	1.46	1.230	LZ450M271P45Y	
	180	25×40	0.20	0.98	1.842	LZ400M181N40Y		330	35×50	0.20	1.65	1.015	LZ450M331P50Y	
	220	25×45	0.20	1.12	1.506	LZ400M221N45Y		390	35×55	0.20	1.78	0.852	LZ450M391P55Y	
	220	30×35	0.20	1.12	1.506	LZ400M221O35Y		470	35×50	0.20	1.72	0.910	LZ450M471P50Y	
	270	25×50	0.20	1.29	1.230	LZ400M271N50Y		500	68	22×40	0.20	0.56	4.920	LZ500M680M40Y
	270	30×40	0.20	1.29	1.230	LZ400M271O40Y			82	25×35	0.20	0.68	4.120	LZ500M820N35Y
	330	30×45	0.20	1.45	1.015	LZ400M331O45Y			100	25×35	0.20	0.78	3.418	LZ500M101N35Y
	330	35×35	0.20	1.45	1.015	LZ400M331P35Y			120	25×45	0.20	0.85	2.866	LZ500M121N45Y
	390	30×50	0.20	1.59	0.847	LZ400M391O50Y			150	25×50	0.20	1.01	2.142	LZ500M151N50Y
	390	35×40	0.20	1.59	0.847	LZ400M391P40Y			150	30×40	0.20	1.01	2.142	LZ500M151O40Y
	470	35×45	0.20	1.75	0.710	LZ400M471P45Y			180	30×45	0.20	1.21	1.912	LZ500M181O45Y
	560	35×50	0.20	2.12	0.588	LZ400M561P50Y			180	35×35	0.20	1.21	1.912	LZ500M181P35Y
	680	35×50	0.20	2.20	0.485	LZ400M681P50Y			220	30×45	0.20	1.35	1.641	LZ500M221O45Y
820	35×65	0.20	2.50	0.412	LZ400M821P65Y	220	35×40		0.20	1.35	1.641	LZ500M221P40Y		
							270		35×45	0.20	1.53	1.310	LZ500M271P45Y	
							330		35×50	0.20	1.75	1.520	LZ500M331P50Y	