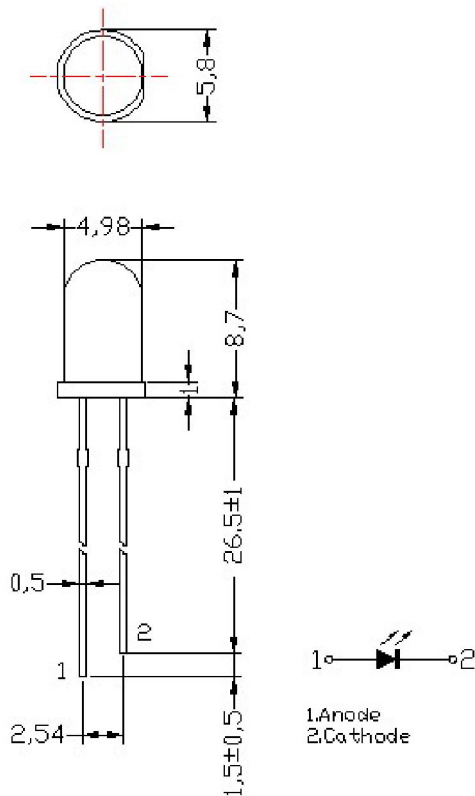


TH-UV375S5A-5



TENTION
OBSERVE PRECAUTIONS
FOR HANDLING
ELECTROSTATIC
DISCHARGE
SENSITIVE
DEVICES



备注：产品照片及尺寸仅供参考，具体请以实物为准。

Note: Product picture & dimensions are for reference only. Detailed information is in accordance with the final product.

主要光电特性 (Ta = 25°C)

Typical Electrical & Optical Characteristics at Ta = 25°C

Items 项目	Symbol 符号	Condition 条件	Min. 最小值	Typ. 典型值	Max. 最大值	Unit 单位
正向电流 Forward Current	IF	-	-	20MA	-	mA
正向电压 Forward Voltage	VF	IF =20mA	3.4		4.0	V
uv光功率 (MW)	v1	IF =20mA	5		10	MW
紫外辐照度 MW/CM2		IF =20mA	7			MW/C M2
波长 (NM)	λD	IF =20mA	375		380	NM
发光角度 50% Power Angle	2 θ½	IF = 20mA	-	20	-	deg

极限參數值(Ta=25°C)

bsolute Maximum Ratings at Ta = 25°C

參數 Parameter	符号 Symbol	极限參值 Absolute maximum Rating	单位 Unit
反向电压 Reverse Voltage	VR	5V	V
反向电流 Reverse Current	IR	≤50	μA
功耗 Power Dissipation	PD	70	mW
工作温度 Operation Temperature	Topr	-40 ~ +60	°C
贮藏温度 Storage Temperature	Tstg	-40 ~ +100	°C
焊接温度 Lead Soldering Temperature(5mm From The Base Of The Epoxy Bulb)	Tsol	260 (≤3s)	°C
抗静电等级 Electrostatic Discharge Classification (MIL-STD-883E)	ESD	Class I	

*脉冲宽度小于等于 0.1msec, 占空比小于等于 1/10 Where pulse width ≤ 0.1msec, duty cycle ≤ 1/10