

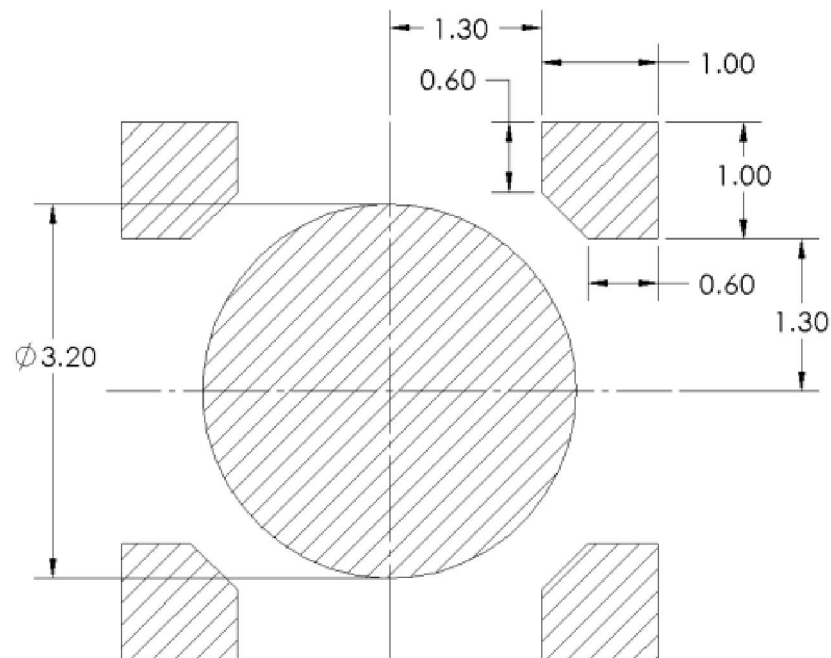
TH-UV365GG3W



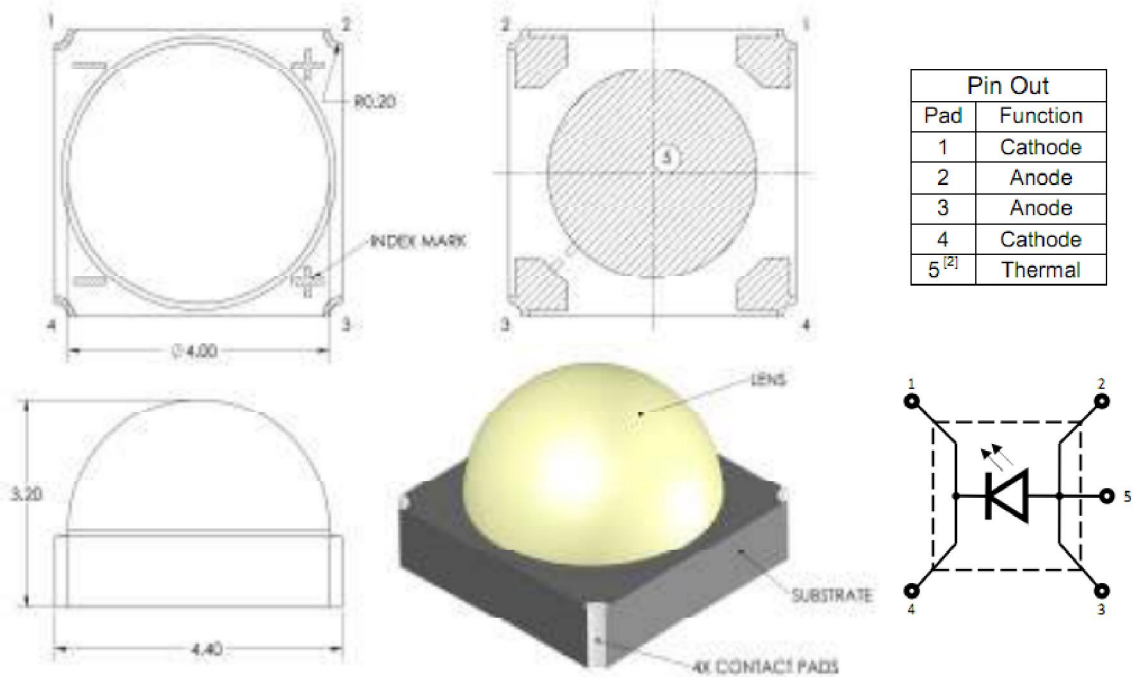
ATTENTION
OBSERVE PRECAUTIONS
FOR HANDLING
ELECTROSTATIC
DISCHARGE
SENSITIVE
DEVICES



Recommended Solder Pad Layout (mm)



Mechanical Dimensions (mm)

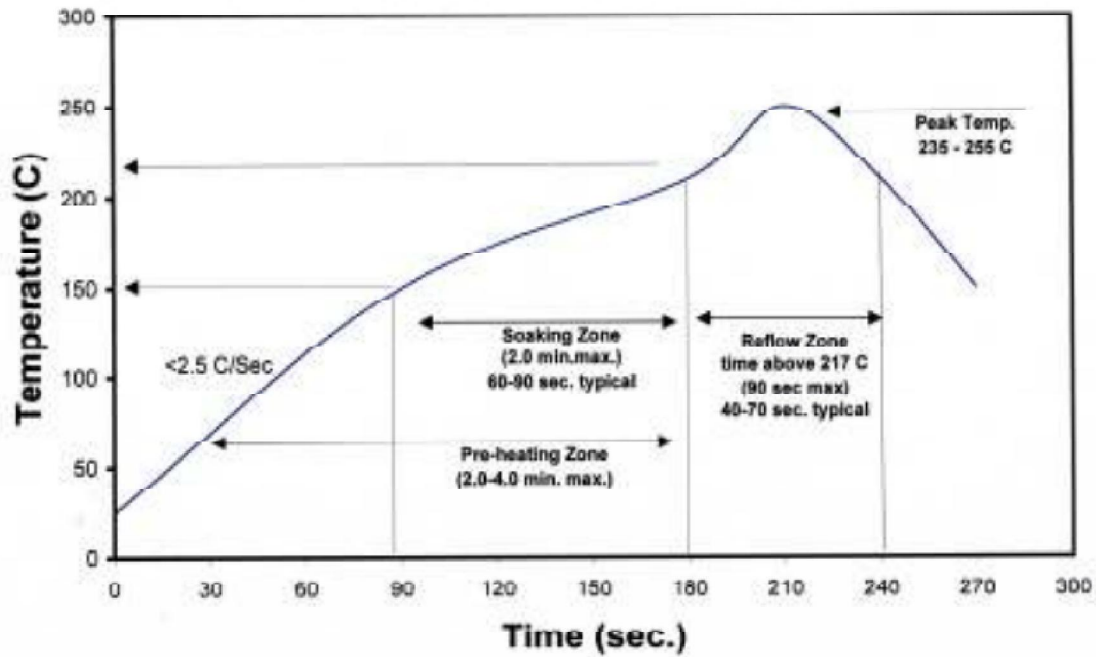


主要光电特性 (Ta = 25°C)

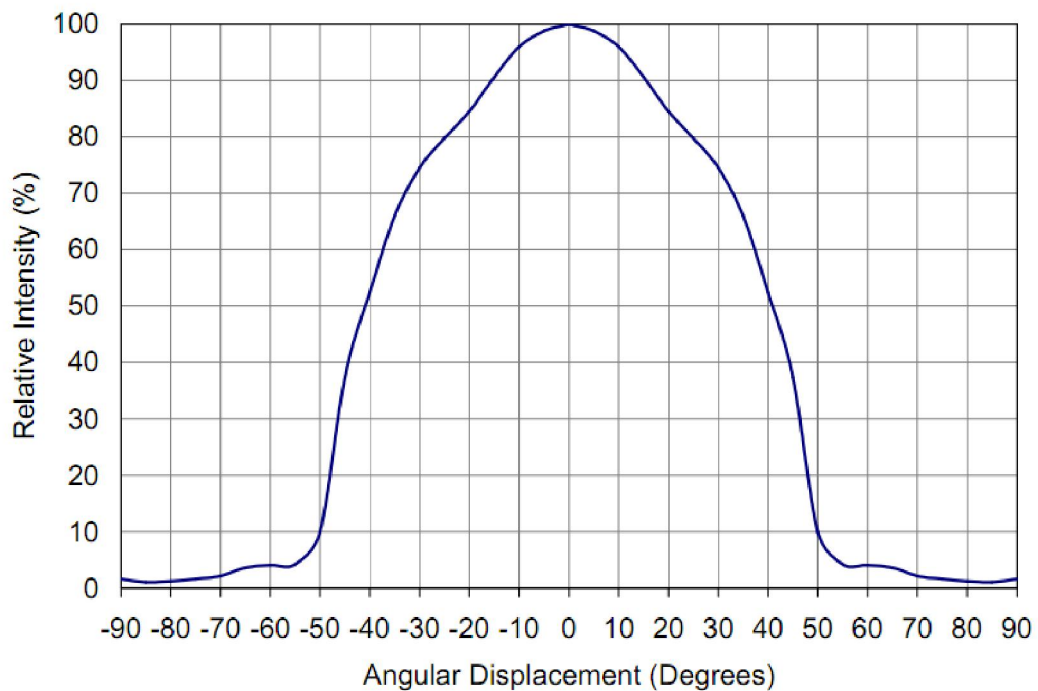
Typical Electrical & Optical Characteristics at Ta = 25°C

| Efficacy | Part No. | Dimension | Lens Type | Optical Power Po [mW] | | | Bin Code | Vf [V] | | 2θ [%] | PWB [mm] | Remark |
|----------|--------------|-------------|-----------|-----------------------|----------|-----------|----------|--------|------|--------|----------|------------------------------|
| | | | | Bin Code | If/700mA | If/1000mA | | min | max | | | |
| | | | | | min | max | | | | | | |
| 3W 365nm | TH-UV365GG3W | 4.4*4.4*3.2 | Dome | D | 168 | 210 | 250 | 3.68 | 4.88 | 85 | 5 | Vf 0.24v sorting, PW 5nm |
| | | | | D | | | | | | | | |
| 3W 400nm | TH-UV400GG3W | 4.4*4.4*3.2 | Dome | H | 410 | 512 | 620 | 3.2 | 4.4 | 85 | 5 | Vf 0.24v sorting, Power 4Bin |
| | | | | J | 512 | 640 | 740 | | | | | |
| | | | | K | 640 | 800 | 920 | | | | | |
| | | | | L | 800 | 1000 | 1150 | | | | | |

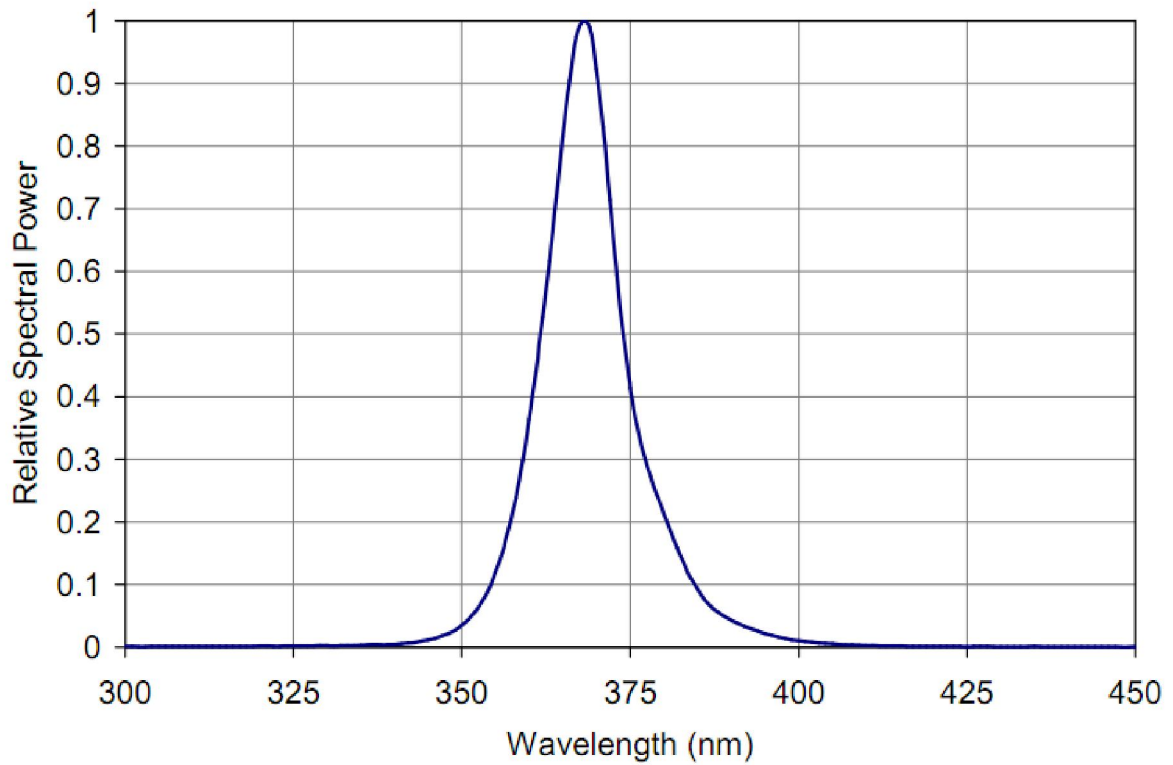
Reflow Soldering Profile



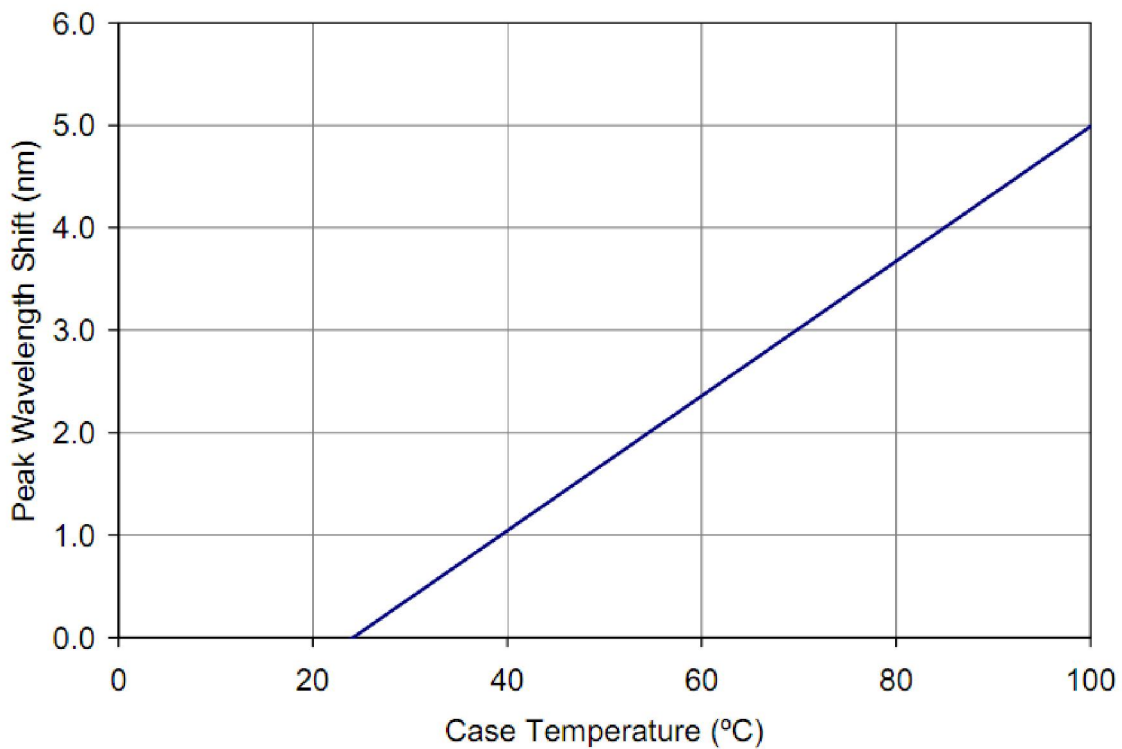
Typical Radiation Pattern



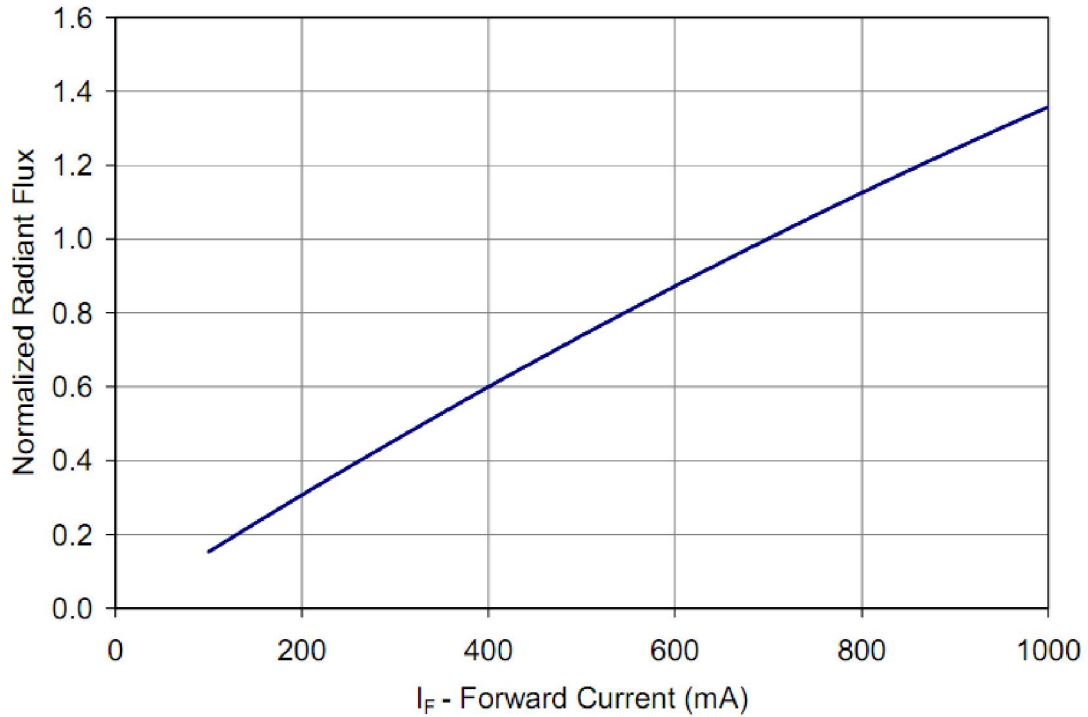
Typical Relative Spectral Power Distribution



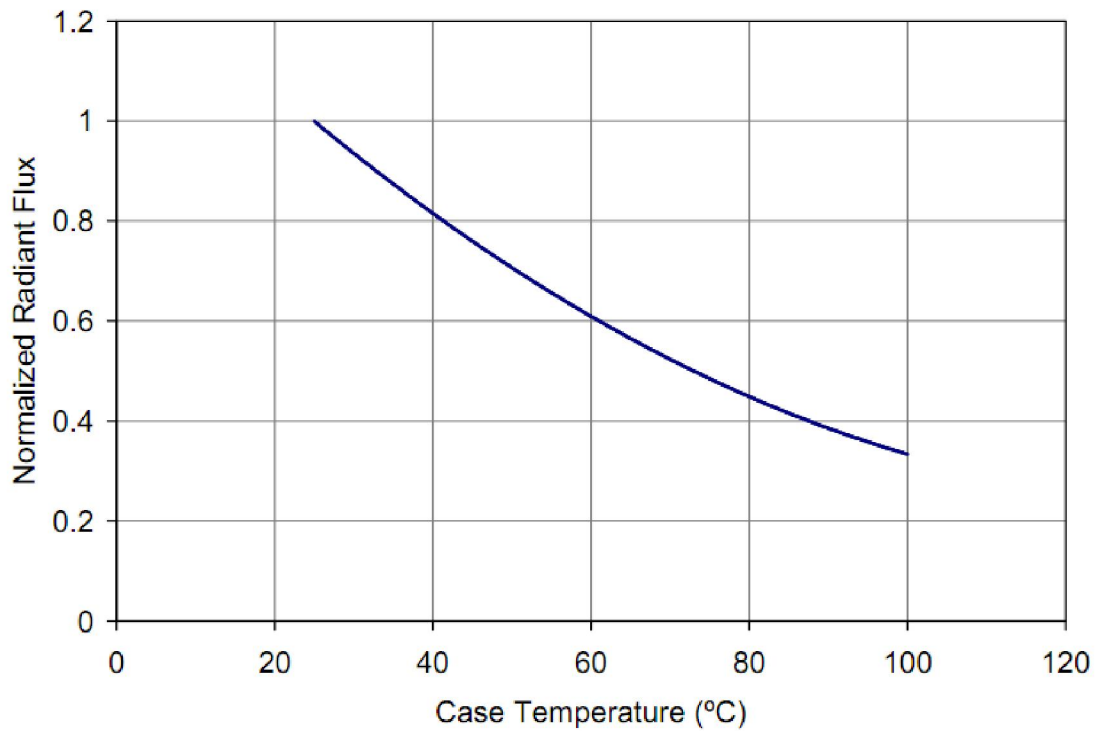
Typical Peak Wavelength Shift over Temperature



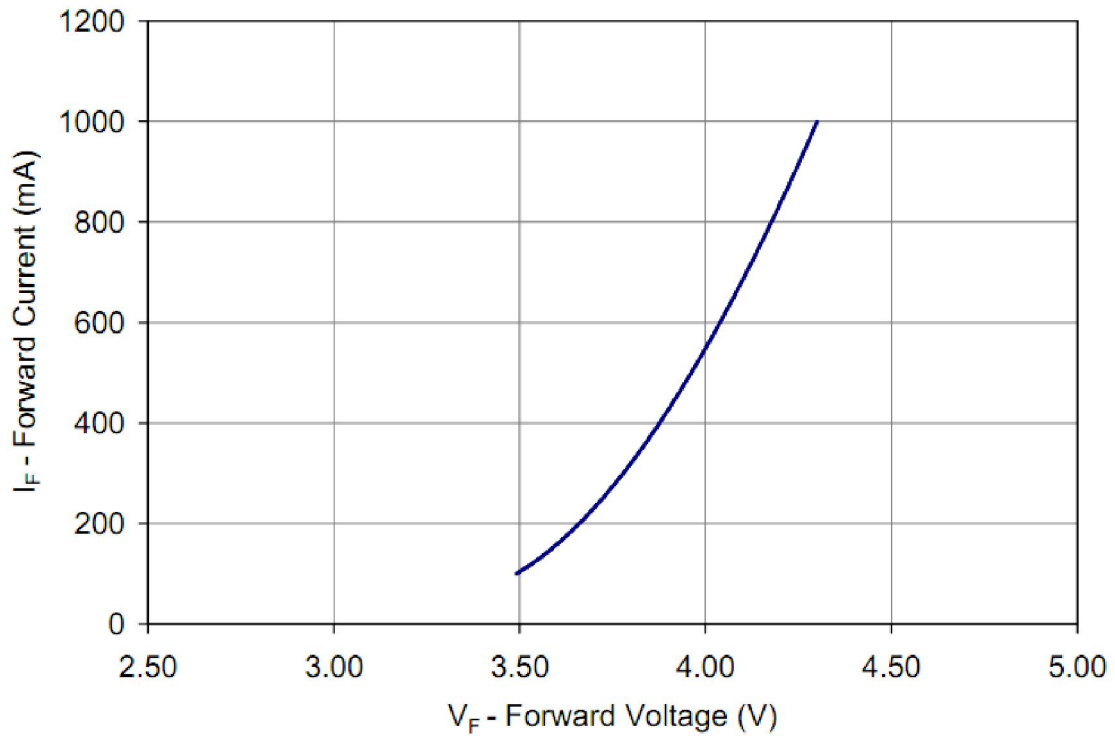
Typical Normalized Radiant Flux



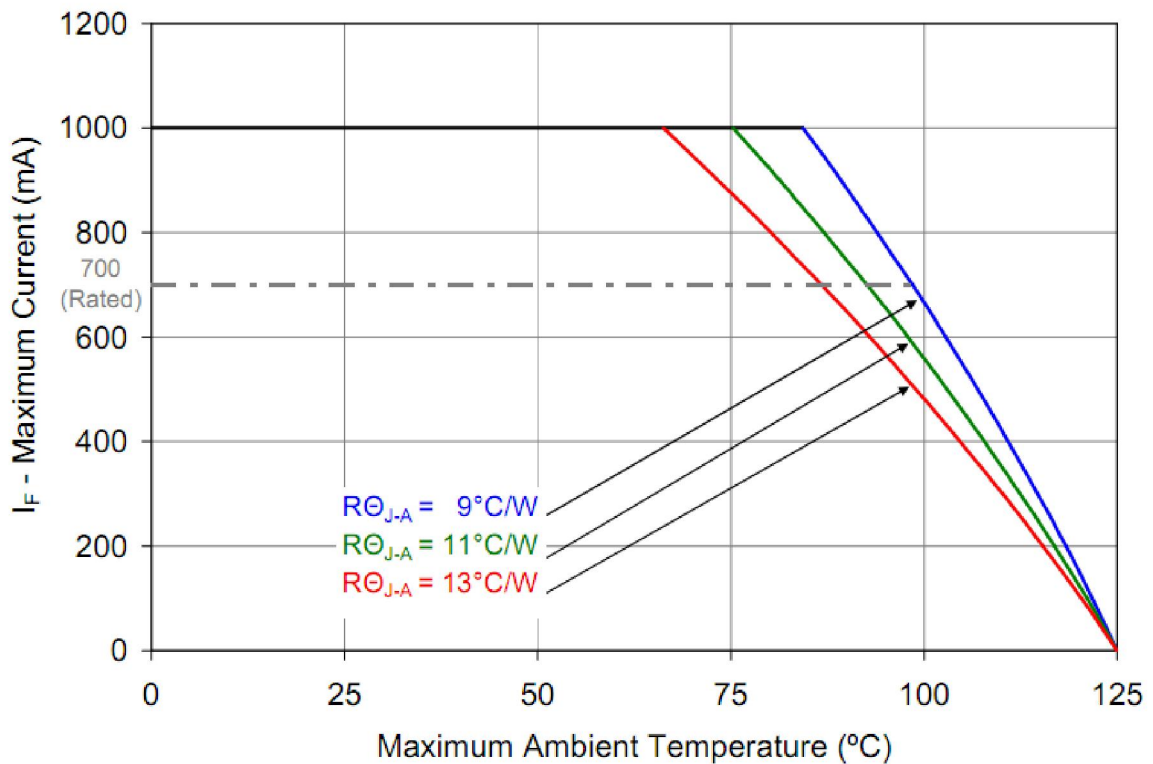
Typical Normalized Radiant Flux over Temperature



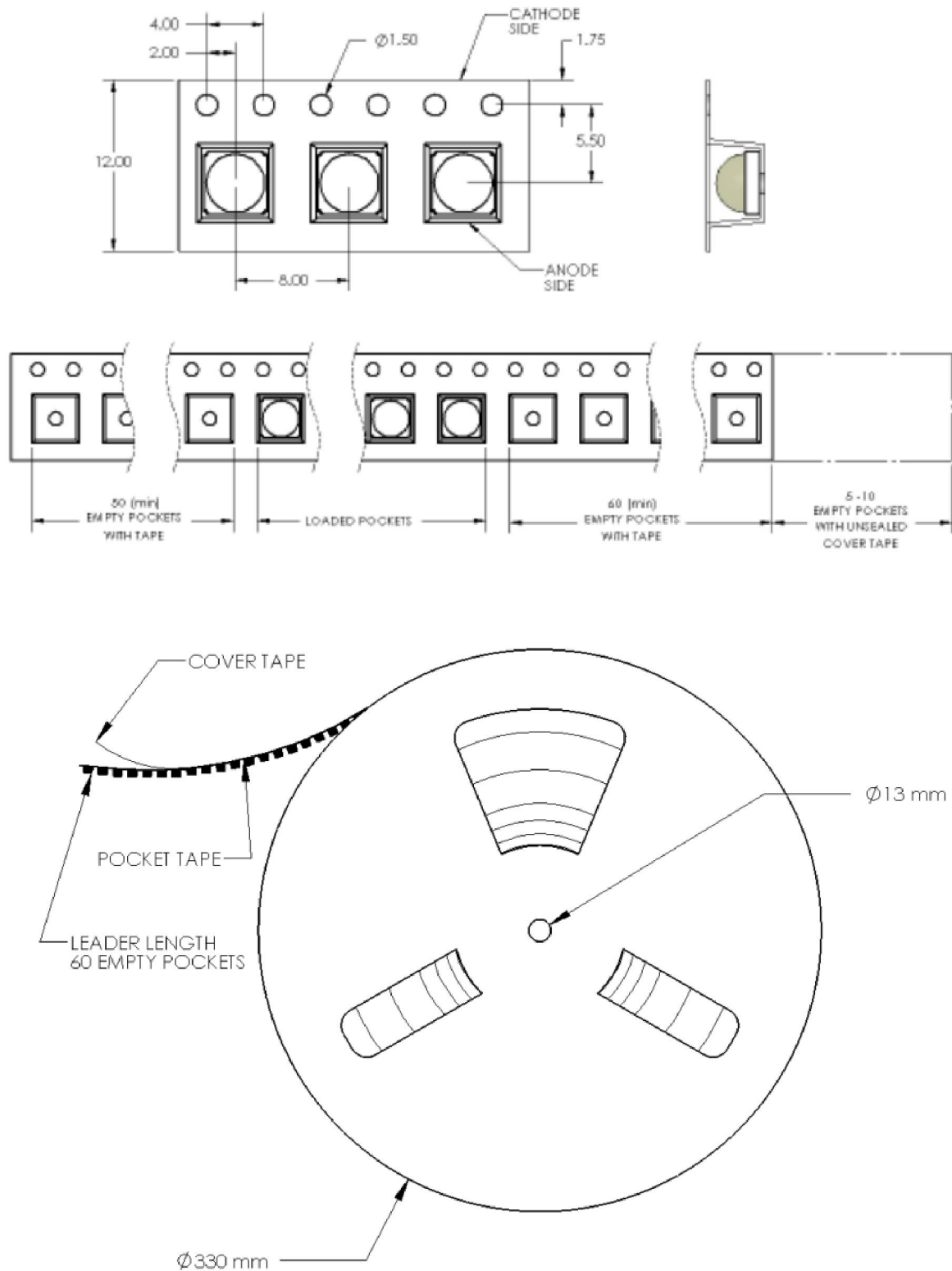
Typical Forward Current Characteristics



Current Derating



Emitter Tape and Reel Specifications (mm)



备注：产品照片及尺寸仅供参考，具体请以实物为准。

Note: Product picture & dimensions are for reference only. Detailed information is in accordance with the final product.

极限參數值(Ta=25°C)

Absolute Maximum Ratings at Ta = 25°C

Absolute Maximum Ratings

Table 5:

| Parameter | Symbol | Value | Unit |
|--|------------------|--|------|
| DC Forward Current ^[1] | I _F | 1000 | mA |
| Peak Pulsed Forward Current ^[2] | I _{FP} | 1000 | mA |
| Reverse Voltage | V _R | See Note 3 | V |
| Storage Temperature | T _{stg} | -40 ~ +150 | °C |
| Junction Temperature | T _J | 125 | °C |
| Soldering Temperature | T _{sol} | 260 | °C |
| Allowable Reflow Cycles | | 6 | |
| ESD Sensitivity ^[4] | | > 2,000 V HBM Class 2 JESD22-A114-D | |