



深圳市聚星辉光电有限公司

Shenzhen Juxinghui Optoelectronics Co., Ltd.

SPECIFICATION

Part No.: **J1-T5050W3-S-BDF**

CUSTOMER APPROVED	APPROVED BY	CHECKED BY	PREPARED BY



静电敏感元件





Descriptions:

Juxinghui PLCC SMD LEDs offer high-intensity light output and a wide viewing angle and low power consumption in an standard package. The white LED is available in the range of color temperature of 2300K to 15000K

Features:

- TOP LED Type
- Size (mm) :5.0*5.0*1.5
- Emitting Color: White
- Wide view angle at 120°
- SMT package
- Suitable for all SMT assembly and soldering method
- Pb-free Reflow soldering application
- RoHS Compliant

Applications:

- Light Strips
- LCD Backlight
- Decorative lighting
- Indicators
- Interior automotive
- Illuminations
- Mobile Phones



深圳市聚星辉光电有限公司

Shenzhen Juxinghui Optoelectronics Co., Ltd.

Technical datasheet

J1-T5050W3-S-BDF

Absolute Maximum Ratings (Ta = 25°C)

Items	Symbol	Absolute maximum Rating	Unit
Forward Current(DC)	IF	90	mA
Peak Forward Current*	IFP	300	mA
Power Dissipation	PD	360	mW
Operation Temperature	Topr	-20 ~ +75	°C
Storage Temperature	Tstg	-30 ~ +80	°C
Reverse Voltage	VR	5	V
Soldering Temperature	Tsol	Reflow Soldering:250°C/10sec	

*Pulse width \leq 1msec duty \leq 1/10

Typical Electrical & Optical Characteristics (Ta = 25°C)

Items	Symbol	Condition	Min.	Typ.	Max.	Unit
Forward Voltage	VF	IF = 60mA	2.8	---	3.6	V
Reverse Current	IR	VR = 5V			5	uA
Chromatic Coordinates	(X,Y)	IF = 60mA	---	(0.31,0.33)	---	---
Color Temperature	CCT	IF = 60mA	6000		6500	K
Luminous Flux	Φ_v	IF = 60mA	18			lm
Luminous Intensity	IV	IF = 60mA	5600	6000	---	mcd
50% Power Angle	2 $\theta_{1/2}$	IF = 60mA	---	120	---	Deg

Notes:

Material

Item	Reflector	Wire	Encapsulate	Chip
Material	PPA	Gold	Silicone	InGaN/Al ₂ O ₃

Address: #6Building 4floor,Hongxin industrial park, Guan Guang Road,GuanLan town, Shenzhen

Tel: (86)0755-29305599 29305868

Fax: (86)0755-29305566

Website: <http://www.jxh-led.com>

Date: 2011.5

Page 3 of 9



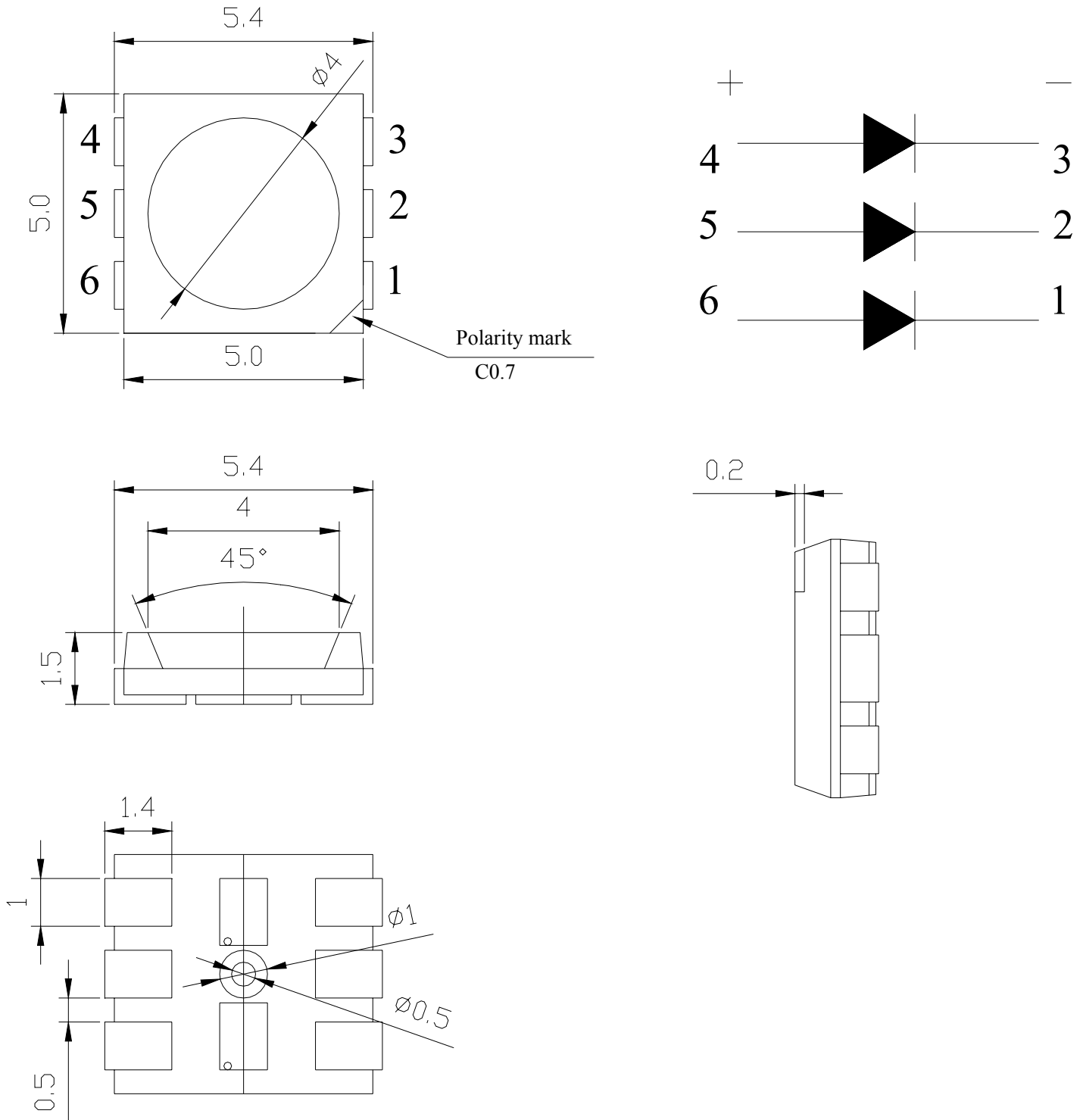
深圳市聚星辉光电有限公司

Shenzhen Juxinghui Optoelectronics Co., Ltd.

Technical datasheet

J1-T5050W3-S-BDF

Package Dimensions(unit:mm)



Notes:

All dimensions in mm tolerance is ± 0.1 mm unless otherwise noted.



Typical Electrical/Optical Characteristics Curves(Ta=25°C Unless Otherwise Noted)

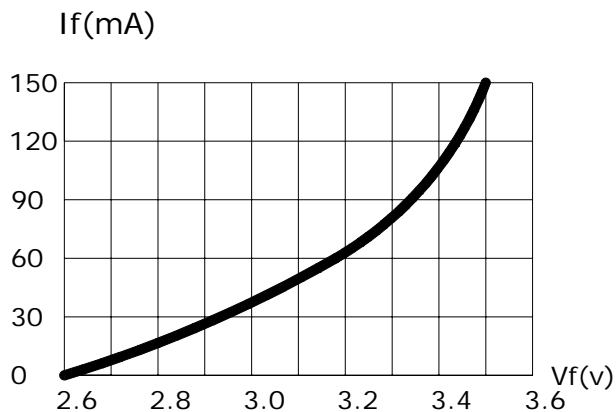


Fig. 1 Forward Current vs Forward Voltage

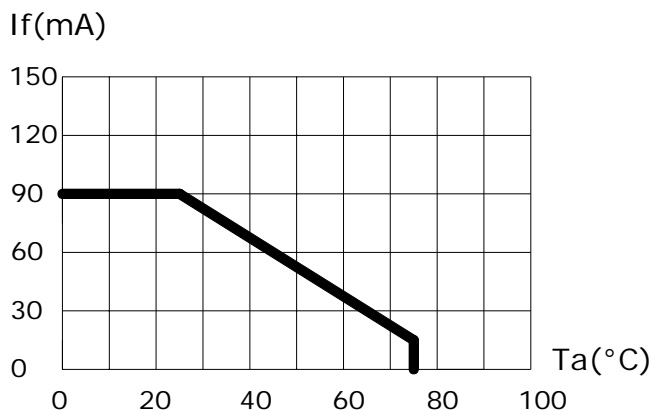


Fig. 3 Maximum Forward Current vs Ambient Temperature

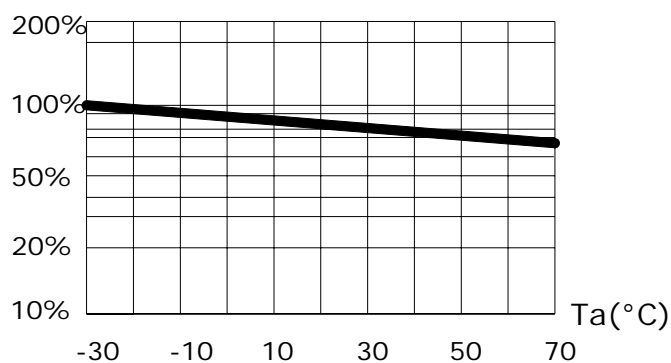


Fig. 5 Relative Luminous Flux vs Ambient Temperature

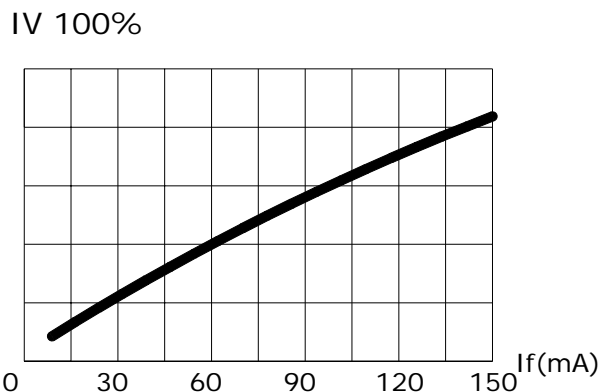


Fig. 2 Relative Luminous Intensity vs Forward Current

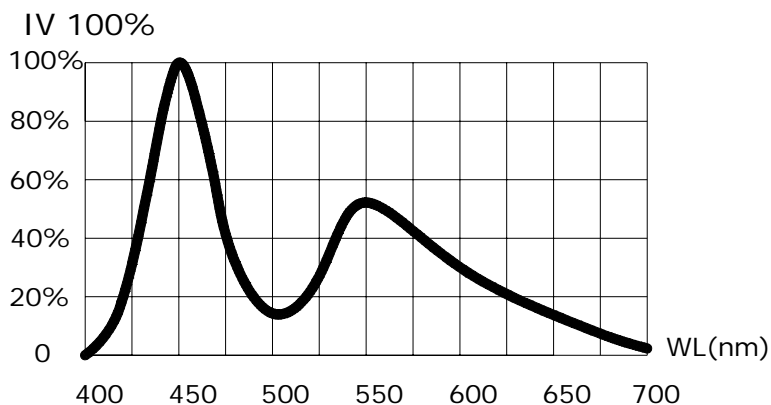


Fig. 4 Relative Luminous Flux vs Wavelength

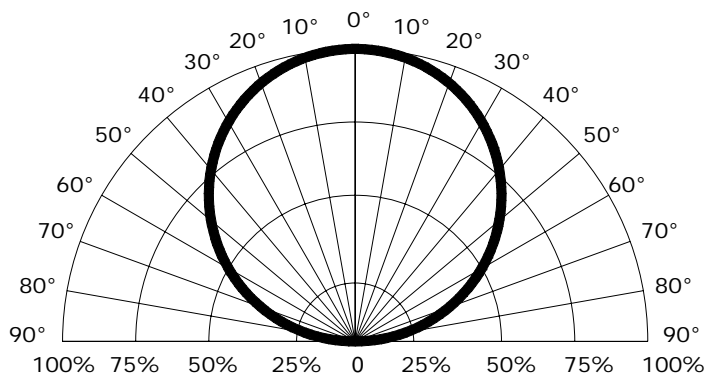


Fig. 6 Relative Luminous Flux vs Radiation Angle



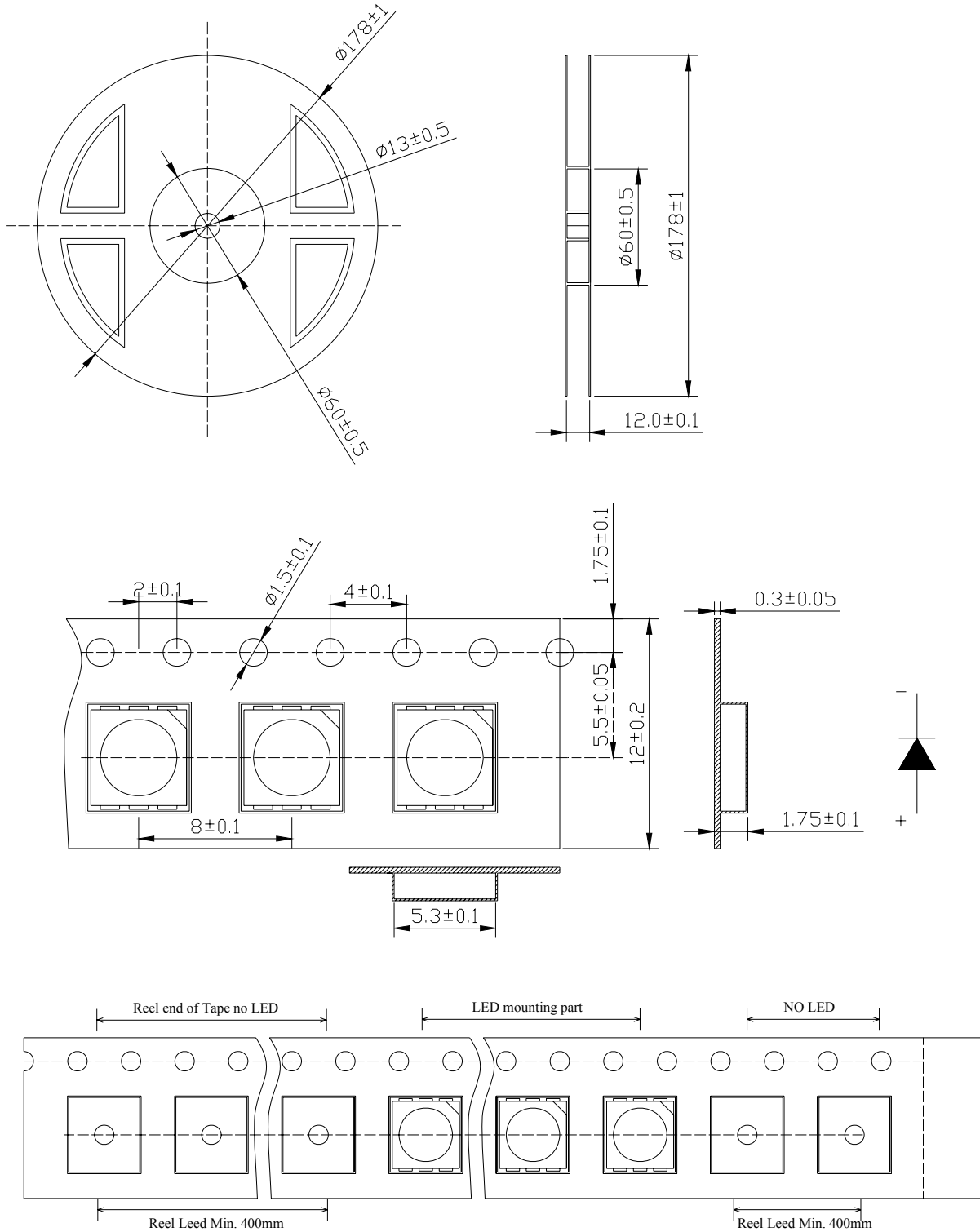
深圳市聚星辉光电有限公司

Shenzhen Juxinghui Optoelectronics Co., Ltd.

Technical datasheet

J1-T5050W3-S-BDF

Taping Dimension(unit:mm)

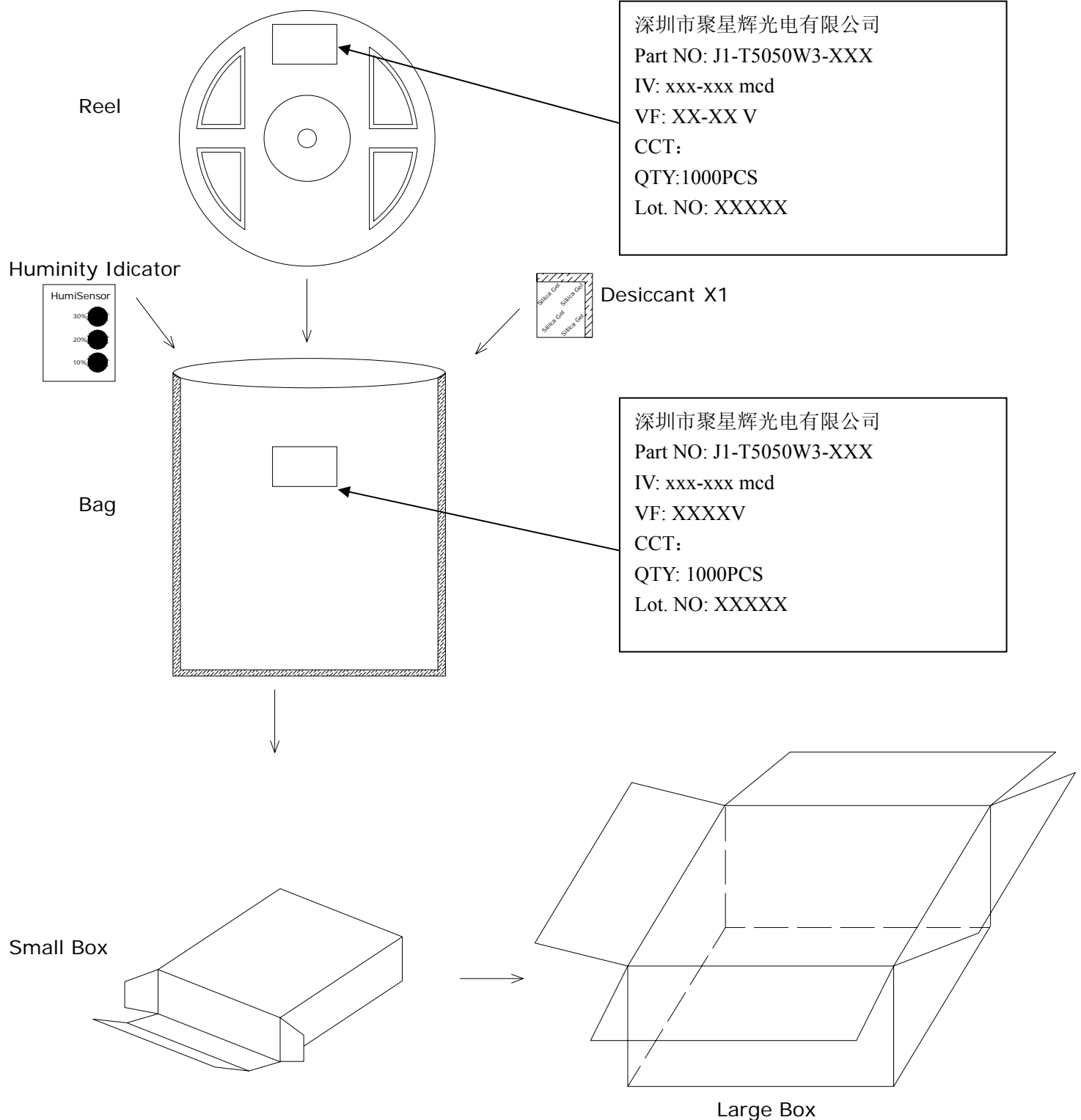


Notes:

- (1) Quality: 1000Pcs/reel



Reel Packaging



Notes:

The boxes are not water-resistant, and they must be kept away from water



Precautions for use:

1. Storage

To prevent moisture absorption into SMD LEDs during the transportation and storage, the LEDs are packed in a moisture-barrier bag. Desiccants and a humidity indicator are packed together with the LEDs as secondary protection

The shelf life of LEDs stored in the original sealed bag at $<40^{\circ}\text{C}$ and $<90\% \text{RH}$ is 12 months. Baking is required if the shelf life has expired

Before opening the packaging, check for air leaks in the bag.

After the bag is opened, the SMD LEDs must be stored at $<30^{\circ}\text{C}$ and $<60\% \text{RH}$. Under these conditions, SMD LEDs must be used within 24 hours. If the LEDs are not within 24 hours after removal from the bag, baking is required

Take the material out of the packaging bag before baking. Do not open the oven door frequently during the baking process.

2. Soldering

(1) Manual soldering with a soldering Iron

Use a soldering iron of less than 25 watts is recommended. The iron temperature must be kept below 315°C And soldering time no more than 2 seconds.

The epoxy resin of an SMD LED should not contact the tip of the soldering iron.

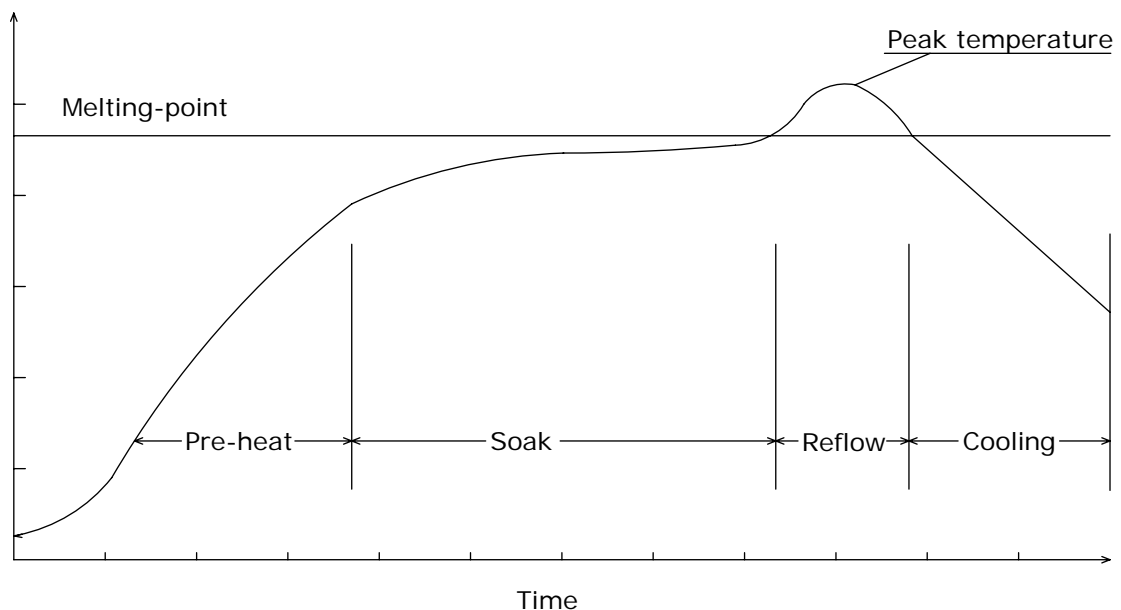
No mechanical stress should be exerted on the resin portion of an SMD LED during soldering.

Handling of an SMD LED should be done only when the package has been cooled down to below 40°C

Reflow soldering

Temperature profile

Temperature





深圳市聚星辉光电有限公司

Shenzhen Juxinghui Optoelectronics Co., Ltd.

Technical datasheet

J1-T5050W3-S-BDF

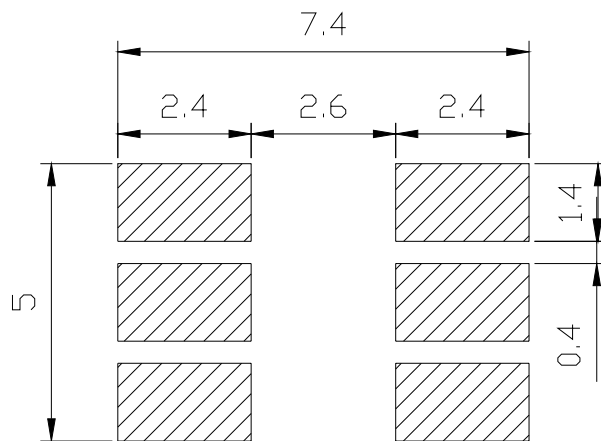
Solder=Sn63-Pb37	Solder= Pb-Free
Average ramp-up rate:4°C/sec.max	Average ramp-up rate:4°C/sec.max
Peak preheat temperature:100-150°C	Peak preheat temperature:100-150°C
preheat time:100seconds.max	preheat time:100seconds.max
ramp-down rate:6°C/sec.max	ramp-down rate:6°C/sec.max
Peak temperature:230°C	Peak temperature:250°C
Time within 5°C of actual peak temperature=10 sec. max	Time within 5°C of actual peak temperature=10 sec. max
Duration above 183°C is 80 sec. max	Duration above 217°C is 80 sec. max

SMD LED should not be modified after soldering. If modification cannot be avoided, the modification must be pre-qualified to avoid damage to the SMD LEDs.

Reflow soldering should not be done more than one time

No stress should be exerted on the package during soldering.

(3) Recommend Soldering pad design(unit=mm)



3. Static Electricity

Static Electricity and surge voltage damage the LEDs. So it is recommended that an ESD wrist band, ESD shoe strap or an anti-electrostatic glove be used when handling the LEDs.

All devices, equipment and machinery must be properly grounded

4. Others

Reverse voltage should not exceed the absolute maximum rating on the data sheet.

The colour of the LEDs is changed slightly an operating current and thermal.

This device should not be used in any type of fluid such as water, oil, organic solvent and etc

When washing is required, IPA (Isopropyl Alcohol) should be used.

The influence of ultrasonic cleaning on the leds depends on factors such as ultrasonic power and the way.

High-brightness LED light may injure human eyes. Avoid looking directly into lighted LED

The appearance and specifications of the product may be modified for improvement without notice.